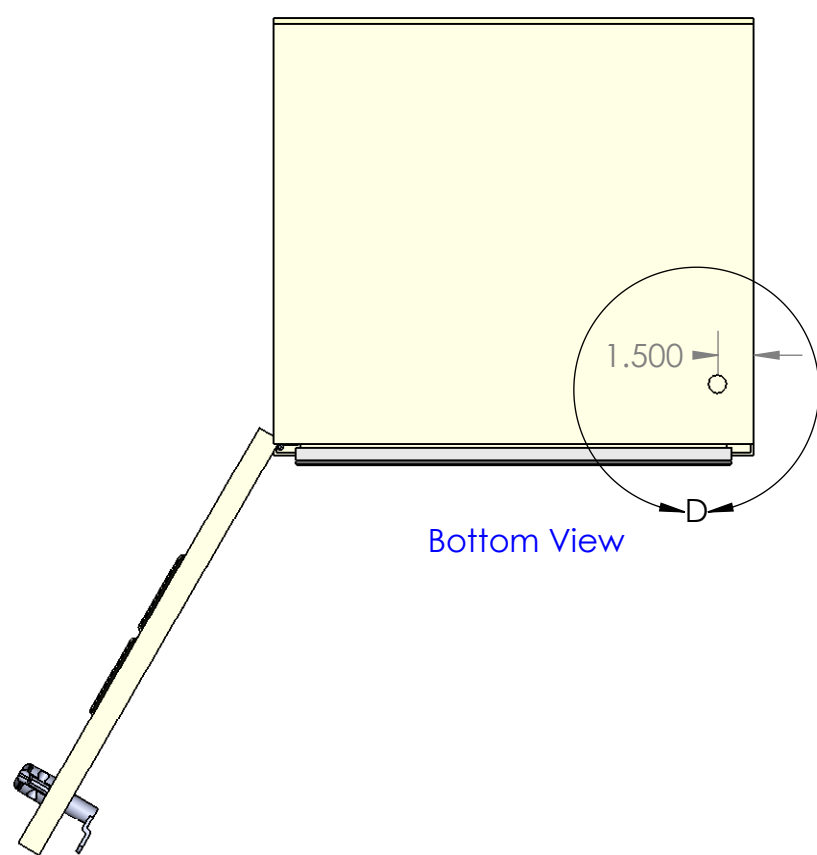
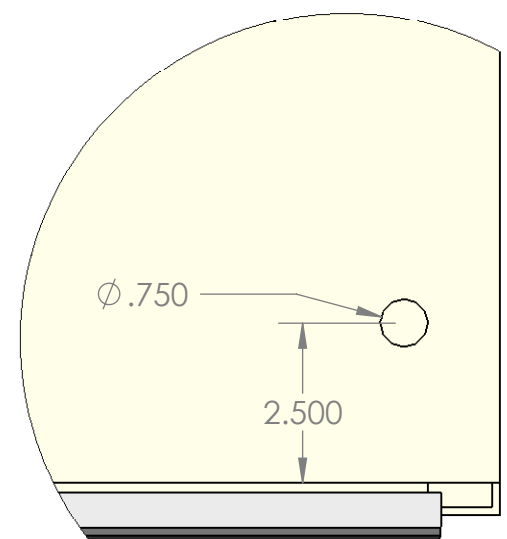


Left Side View



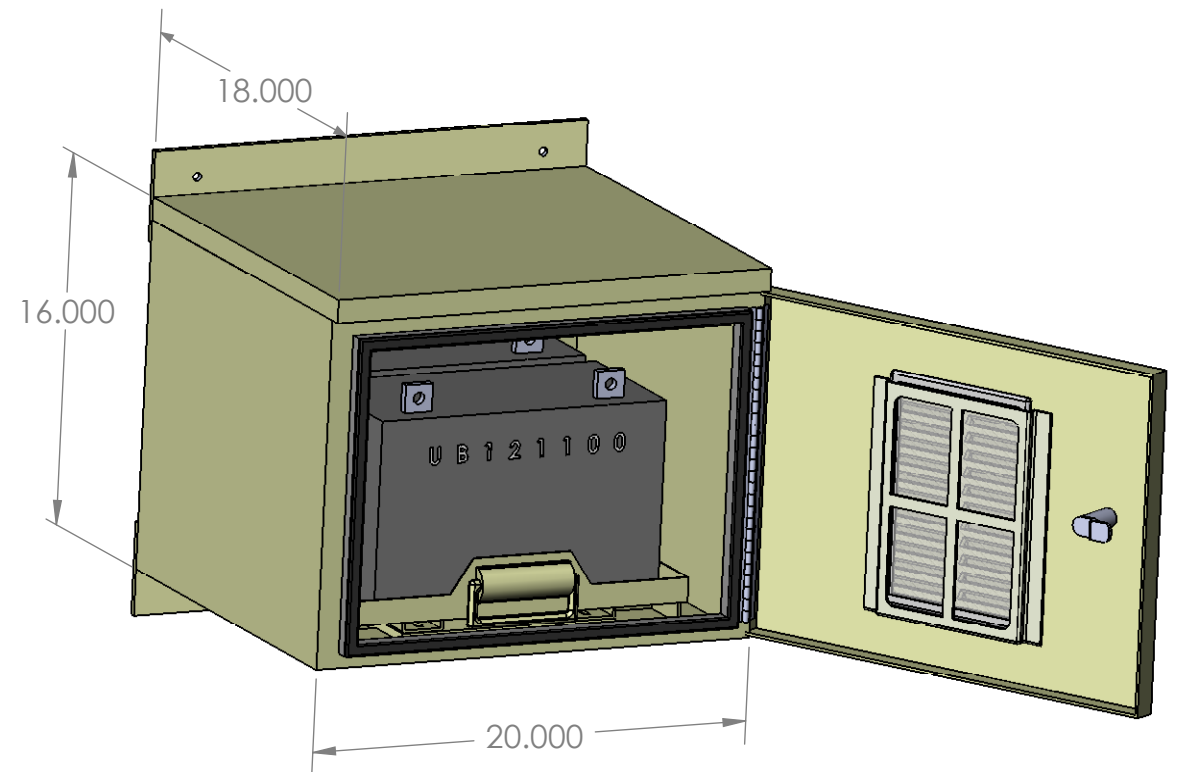
Bottom View

This .75 inch hole is 2.5 inches from the outside front of the cabinet and 1.5 inches from the outside right side of the cabinet.

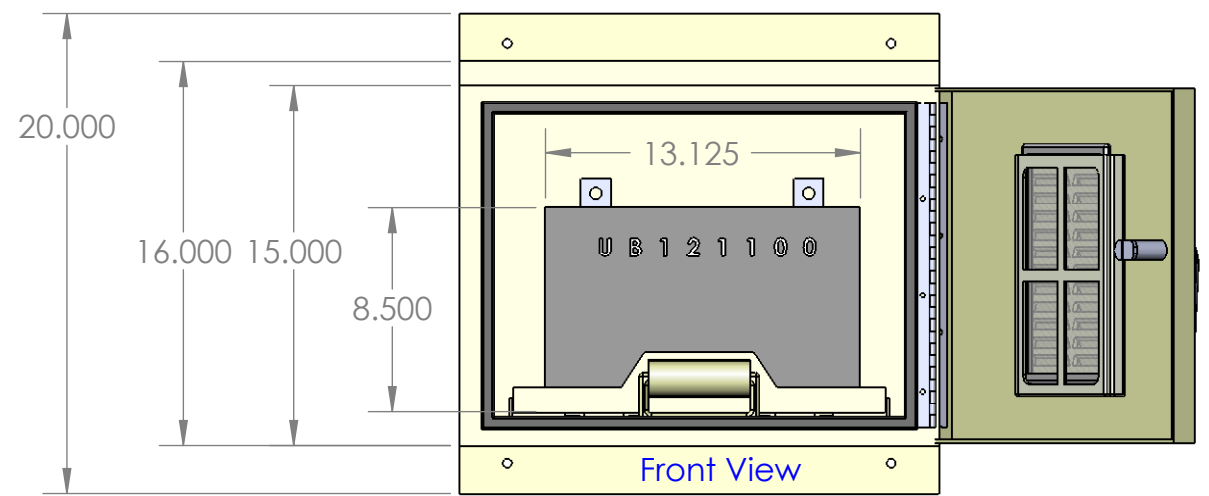


DETAIL D  
SCALE 1 : 3

Bottom Detail View



Reverse Isometric View



Front View

**PROPRIETARY AND CONFIDENTIAL:**  
THE INFORMATION CONTAINED IN THIS DRAWING IS THE SOLE PROPERTY OF DDB Unlimited, INC. ANY REPRODUCTION IN PART OR AS A WHOLE WITHOUT THE WRITTEN PERMISSION OF DDB Unlimited, INC IS PROHIBITED.



Dimension:	Dimension Unit:	UNLESS OTHERWISE SPECIFIED: DIMENSIONS ARE IN INCHES	DRAWN: R. Lamson	DATE: 4/17/2008	<b>DDB Unlimited Inc.</b>
Height:	16 inches	DO NOT SCALE DRAWING	CHECKED:		
Width:	20 inches	MAJOR MATERIAL: <b>Aluminum</b>	ENG APPR:		SIZE <b>A</b>
Depth:	18 inches		MFG APPR:		DWG. NO. 00001
Color:	Powder Baked Cream		Q&A:		VER. 2
			COMMENTS: 1. Unless otherwise noted, Material Thickness is 1/8 (.125) inches thick.		Scale= 1: 8
					Weight: ????
					Sheet 1 of 1