



Enclosure Manual

DDB Unlimited, Inc.

Manual for the LTEE-OA Enclosure

4/29/2013

Version 2; RHD

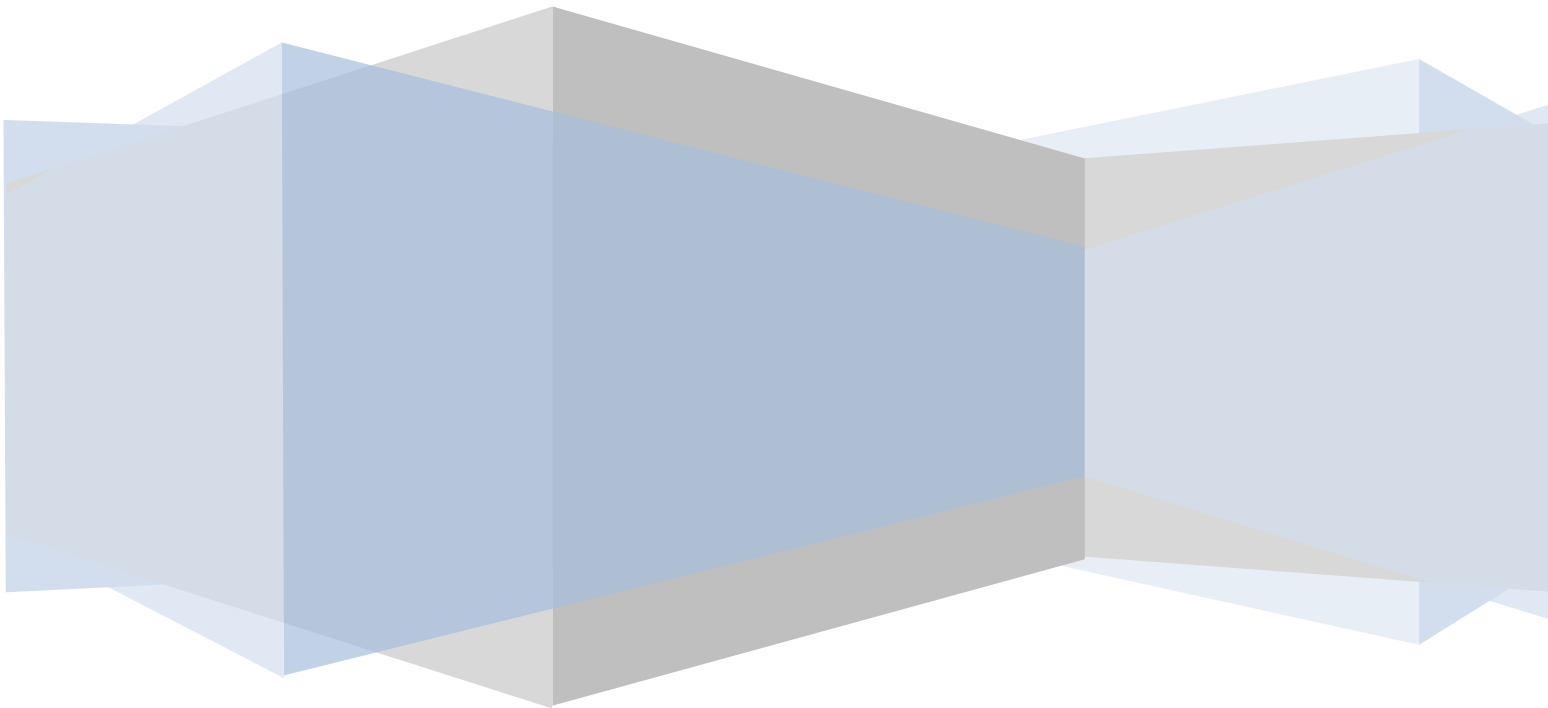


TABLE OF CONTENTS

1 INTRODUCTION	4
1.1 PURPOSE	4
1.2 CONTENT AND ORGANIZATION	4
1.3 ETL CERTIFICATION	4
2 ENCLOSURE OVERVIEW	4
2.1 MATERIAL	4
2.2 POWDER COAT SPECIFICATION	5
2.3 CABINET CONFIGURATION	6
2.3.1 DOOR MOUNTED AC UNIT LTEE-A	6
2.3.2 AIR CONDITIONER WITH REMOTE DISPLAY	7
2.3.3 CURRENT REMOTE DISPLAY VIEW	7
2.3.4 IQ6000VS CUT SHEET	8
2.3.5 SOUND LEVEL db(A)	9
2.3.6 DIRECTIONAL AIRFLOW	9
2.3.7 SEER RATING	9
2.3.8 SUPPLY AND RETURN DUCTING	10
2.3.9 CABINET DIMENSIONING	11
2.3.9A PAD MOUNTING DETAILS	13
3 ELECTRICAL & GROUNDING OVERVIEW	14
3.1 ELECTRICAL SCHEMATICS	14
3.2 PANEL SCHEDULE	16
3.3 GROUND BAR	17
3.4 GROUND BAR ASSEMBLY DETAIL	18
4 RACK RAILS OVERVIEW	19
4.1 RACK RAILS	19
5 BATTERY BOX & SIDE BOX OVERVIEW	21
5.1 BATTERY BOX EXHAUST FANS	21
5.2 SIDE BOX DETAIL	22
6 APPENDICES	23
6.1 AIR CONDITIONER OPS MANUAL & WARRANTY	23
6.2 ENCLOSURE WARRANTY	37

7 FIGURES		
1	BASIC COMPONENT BREAKDOWN FOR THE LTEE-OA	6
2	BASIC AIRFLOW AND CLIMATE CONTROL DESCRIPTION	6
3	IQ 6000 VS (with external control display)	7
4	REMOTE DISPLAY FOR AIR CONDITIONER	7
5	IQ 6000 VS CUT SHEET	8
6	AC UNIT DIRECTIONAL AIR FLOW DIAGRAM	9
7	RETURN AND SUPPLY DUCTS	10
8	ISOMETRIC VIEW OF THE LTEE-OA	11
9	FRONT DIMENSIONAL VIEW OF THE LTEE-OA	11
10	RIGHT SIDE VIEW OF THE LTEE-OA	12
11	TOTAL OCCUPIED SPACE OF THE LTEE-OA	12
12	LEFT SIDE VIEW OF THE LTEE-OA	12
13	PADMOUNTING DETAIL	13
14	ANSI TITLE BLOCK, ELECTRICAL SCHEMATIC PG. 1	14
15	ANSI TITLE BLOCK, ELECTRICAL SCHEMATIC PG. 2	15
16	12" GROUNDBAR	17
17	GROUNDBAR ASSEMBLY DETAIL	18
18	RACK RAIL DETAIL	19
19	DETAIL "F" OF THE RACK RAIL DETAIL	20
20	½" GROUND STRAP FOR THE LTE SERIES RACK RAILS	20
21	DC AXIAL EXHAUST FANS	21
22	SIDE BOX DETAIL & DIMENSIONS	22
8 TABLES		
1	PANEL SCHEDULE FOR BOTH THE LTEE-OA & LTEE-OD	16

1 INTRODUCTION

1.1 PURPOSE

This document is intended to describe the LTEE-OA (ACU Cooled/Closed Loop) enclosure.

1.2 CONTENT AND ORGANIZATION

This document consists of 6 chapters including appendices, figures and tables.

1.3 ETL CERTIFICATION

This document section will contain excerpts from ETL DRAFT Report No.100393104DAL-001, issued for review on: 27-May-2011. A full copy of the ETL listing report can be obtained by contacting DDB Unlimited. This Section is to be completed upon final ETL certification.

2 ENCLOSURE OVERVIEW

2.1 MATERIAL

The ASTM B209-04 is the material standard for our Aluminum class 5052h32 manufacture. ASTM B209-04 can be sold and or used in special fire rated categories such as fire block between buildings or fire protection of critical supports.

The standard flash point of 5052h32 is 606 degrees C. Aluminum 5052h32 is considered RoHS compliant by both American and European Standards agencies.

Reference: ASTM B209-04 "standard Specification for Aluminum and Aluminum-Alloy Sheet and Plate"

■ Aluminum temper designation

Aluminum is specified with a 4 digit alloy followed by a temper designation. For example, 5052-H32 indicates an aluminum/magnesium alloy that has been strain hardened and stabilized by low temperature heating and is 1/4 hard.

-H	Strain hardened (cold worked) with or without thermal treatment.
-H1	Strain hardened without thermal treatment.
-H2	Strain hardened and partially annealed.
-H3	Strain hardened and stabilized by low temperature heating.
2nd Digit	A second digit denotes the degree of hardness. -Hx2 = 1/4 hard. -Hx4 = 1/2 hard. -Hx6 = 3/4 hard. -Hx8 = full hard.

2.2 POWDER COAT SPECIFICATION – Provided by Diamond Vogel.

TECHNICAL DATA

PRODUCT CODE: PLX4372-09

DATE: March 23, 2009

PRODUCT DESCRIPTION: White Gloss Texture

POWDER CLASS: TGIC Polyester

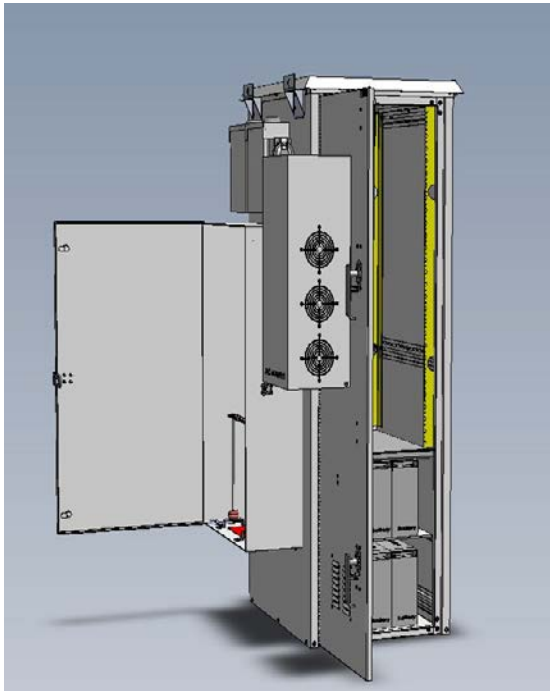
POWDER PROPERTIESSpecific Gravity 1.86 Theoretical Coverage (ft²/lb) @ 1 mil: 103 ± 4**CURED POWDER PROPERTIES (1.8 TO 2.2 Mil DFT)**

Cure Schedule (Time at Substrate Temperature)	<u>10' @ 390°F</u>
Substrate for testing	<u>B-1000 .032 in CRS</u>
Gloss	<u>40 +/- 10 @ 60°</u>
PCI Powder Smoothness	<u>Texture</u>
Pencil Hardness	<u>2H+</u>
Direct/Reverse Impact in. lbs.	<u>160+ / 160+</u>
Adhesion, Crosshatch	<u>5B</u>
Flexibility, Mandrel Bend	<u>1/8 in dia. no fracture</u>
Salt Spray ASTM-B117 1000 hrs.	<u>Pass</u>
Humidity ASTM-D2247 1000 hrs.	<u>Pass</u>

Additional Technical Data available upon request

2.3 CABINET CONFIGURATION

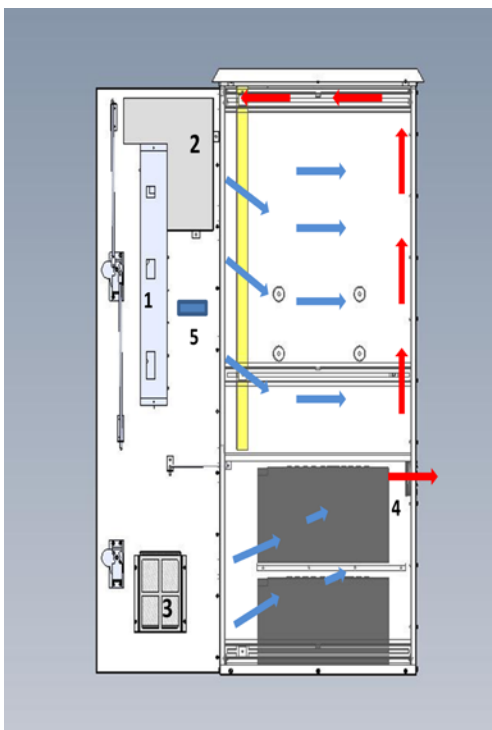
2.3.1 DOOR MOUNTED AC UNIT: LTEE-OA



DESCRIPTION

- Outdoor enclosure 78”H x 25”W x 34”D with front and rear door.
- Adjustable 19” or 23” racking.
- Powder baked white.
- Dual compartment design, air conditioned top compartment (NEMA 4) and fan cooled battery compartment (NEMA 3R) using (2) 5”, 48v, 110cfm fans and thermostat.
- 45”H x 26”W x 10”D Side box with removable plywood back-plate with a total of (5) 2” cable pass through openings; (4) for the primary compartment and (1) for the battery cables.
- 12” Copper ground bar on 14”risers with isolators.
- 2 panel AC load center with 50amp back-up generator plug. Interior convenience outlets and 220V supplied junction box for DC power system and AC unit. See electrical layout.
- Interior lighting.
- AC unit is 6000 BTU, 220V with interior programmable control panel and 400 watts of heat.

FIGURE 1: BASIC COMPONENT BREAKDOWN FOR THE LTEE-OA (above). FIGURE 2: BASIC AIRFLOW AND CLIMATE CONTROL DESCRIPTION (below).



ACD AIRFLOW

(Side Cut View)

- Cold air flow will be supplied by the 6000 BTU AC unit in the equipment compartment via supply duct (1) to the front face of the equipment. The hotter air will travel up the rear of the equipment and be drawn into the return duct (2), as depicted.

NOTE: AC unit controller will be mounted remotely on inside of the door (5). The advantage here is protection from the weather and reduced risk of key-pad and controller failure.

- The battery compartment will be ambient air cooled via (2), 110cfm, 48v fans, drawing air through the 0.5 micron filter on the door (3) and exhausted out the top rear of the compartment (4), as depicted.
- The refresh cycle with 100% new air occurs every 5.5 minutes with batteries in place.

2.3.2 AIR CONDITIONER WITH REMOTE DISPLAY

The LTEE-OA comes with an IQ 6000 BTU programmable air conditioning unit with 400 watts of internal heat installed on the door. The display is remotely mounted to the interior portion of the door and is connected to the unit via a wiring harness.

(1) Air conditioner manual is included with every enclosure. Please see the supplied air conditioner manual for AC unit operation and programming. If there are operational issues with the AC unit, please contact DDB Unlimited: 800-753-8459 ext. 2883.

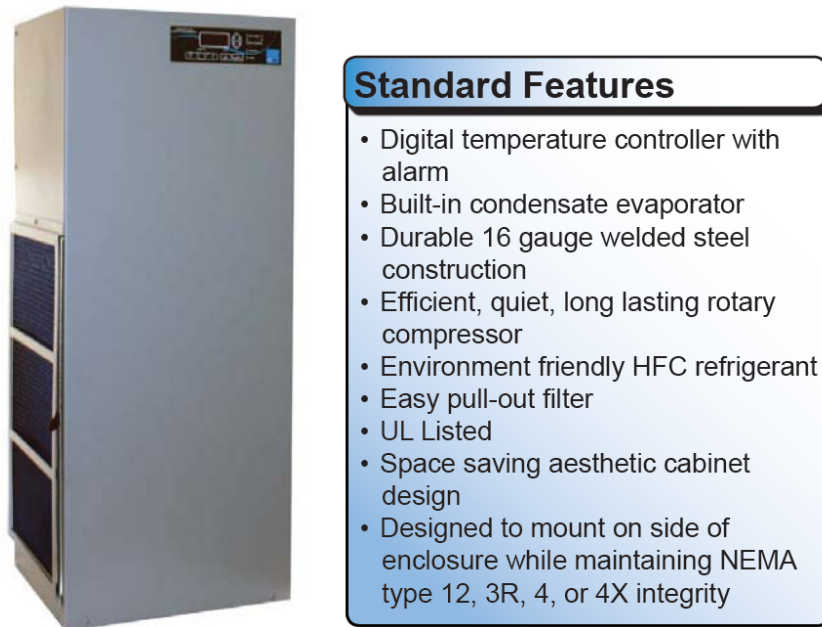


FIGURE 3: IQ 6000 VS with external control display. NOTE: Display is now mounted to the inside of the door.

2.3.3 CURRENT REMOTE DISPLAY VIEW



FIGURE 4: REMOTE DISPLAY FOR AIR CONDITIONER.

NOTE: AC unit Set points are 65 deg. F and 77 deg. F. These set points are programmed and tested by DDB prior to shipping.

2.3.4 CUT SHEET FOR THE IQ 6000 VS AIRCONDITIONER

Drawings are for illustration purposes only. Data is subject to change.

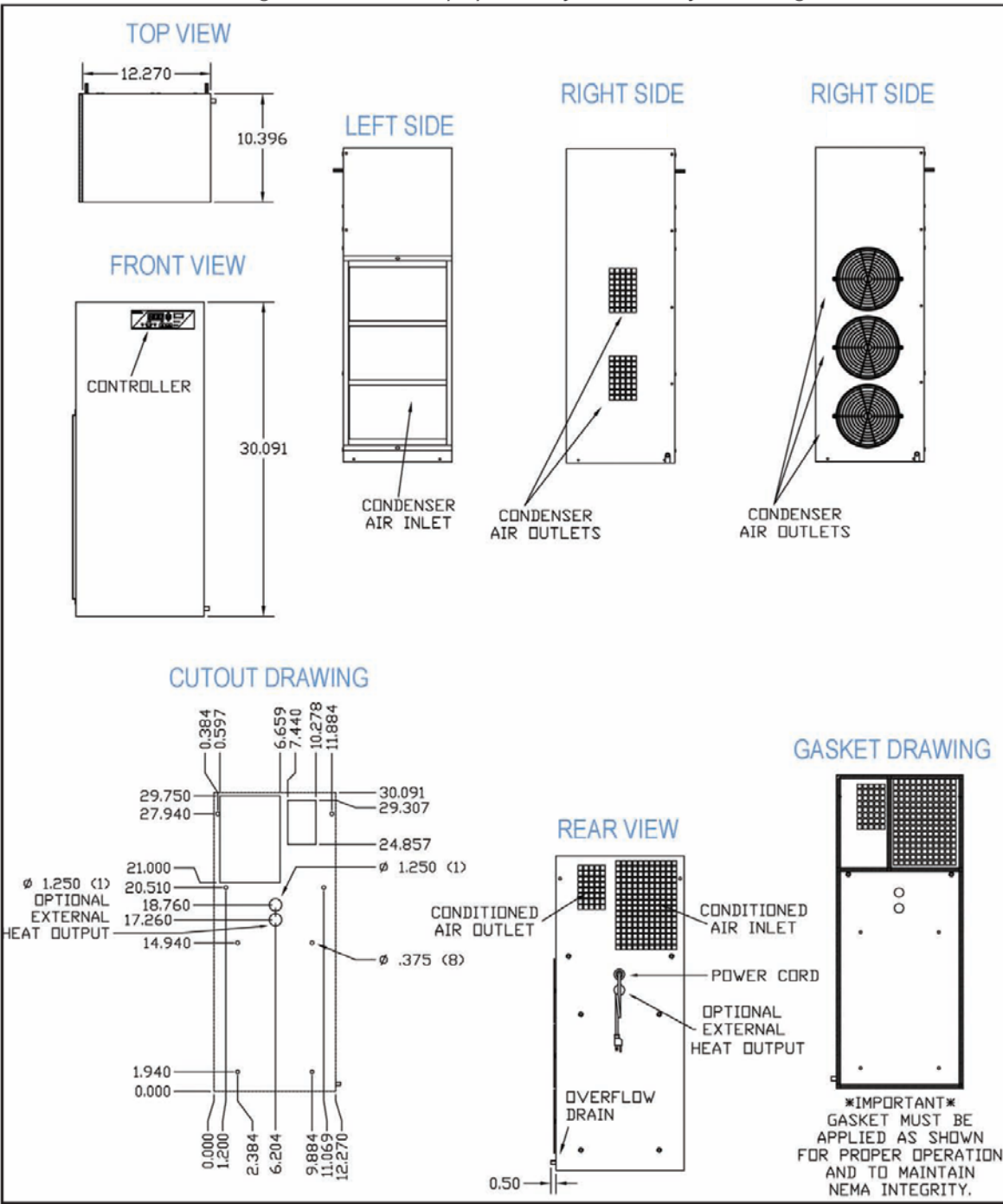


FIGURE 5: IQ 6000 VS CUT SHEET.

2.3.5 SOUND LEVEL db (A)

This is section TBD.

2.3.6 DIRECTIONAL AIR FLOW DOCUMENTATION

Figure 22; below, visually represents the flow of air into the AC unit from the outside as well as the intake and exhaust from within the enclosure.

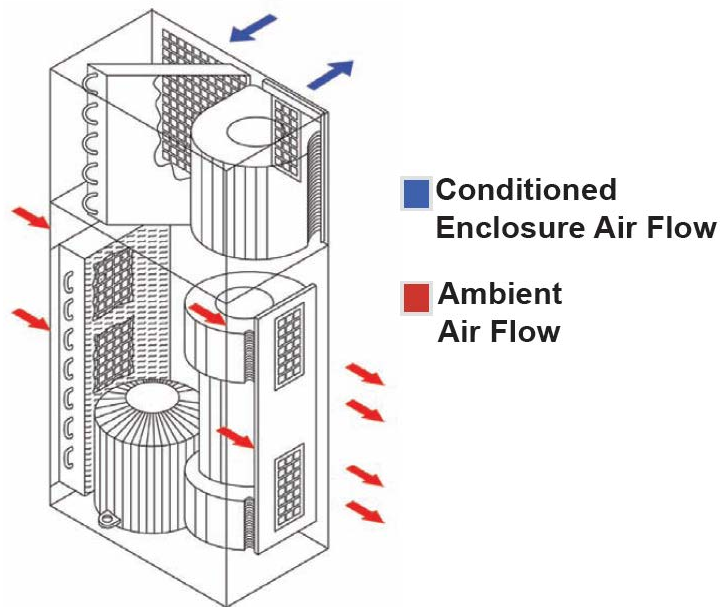


FIGURE 6: AC UNIT DIRECTIONAL AIR FLOW DIAGRAM

2.3.7 SEER RATING INFORMATION

The following is for the IQ 6000 BTU 220v programmable AC unit.

Based on BTUH cooling output and model watt consumption at 95 deg. F return air temperature and 95 deg. F ambient, the SEER for the IQ6000VS-236 is 8.1.

Please note when comparing these SEER to "advertised" SEER of consumer products, these may seem on the low side. However, there are variations in the methods used to calculate SEER. Some of the variations are hours of operation per cooling season, physical location (temperature zone), test methods and system operating conditions.

The method used for calculation of the Ice Qube cooling systems is based on a formula from Heat Pump Technology by Billy C. Langley, Second Edition, intended as a text book for study in the HVACR curriculum.

2.3.8 AC UNIT RETURN AND SUPPLY DUCTING

After extensive field testing, the following return and supply duct configuration was designed and implemented for improved cooling function in various equipment configurations and has been implemented into the LTEE-OA as a standard and as an upgrade option in the LTEE-OD.

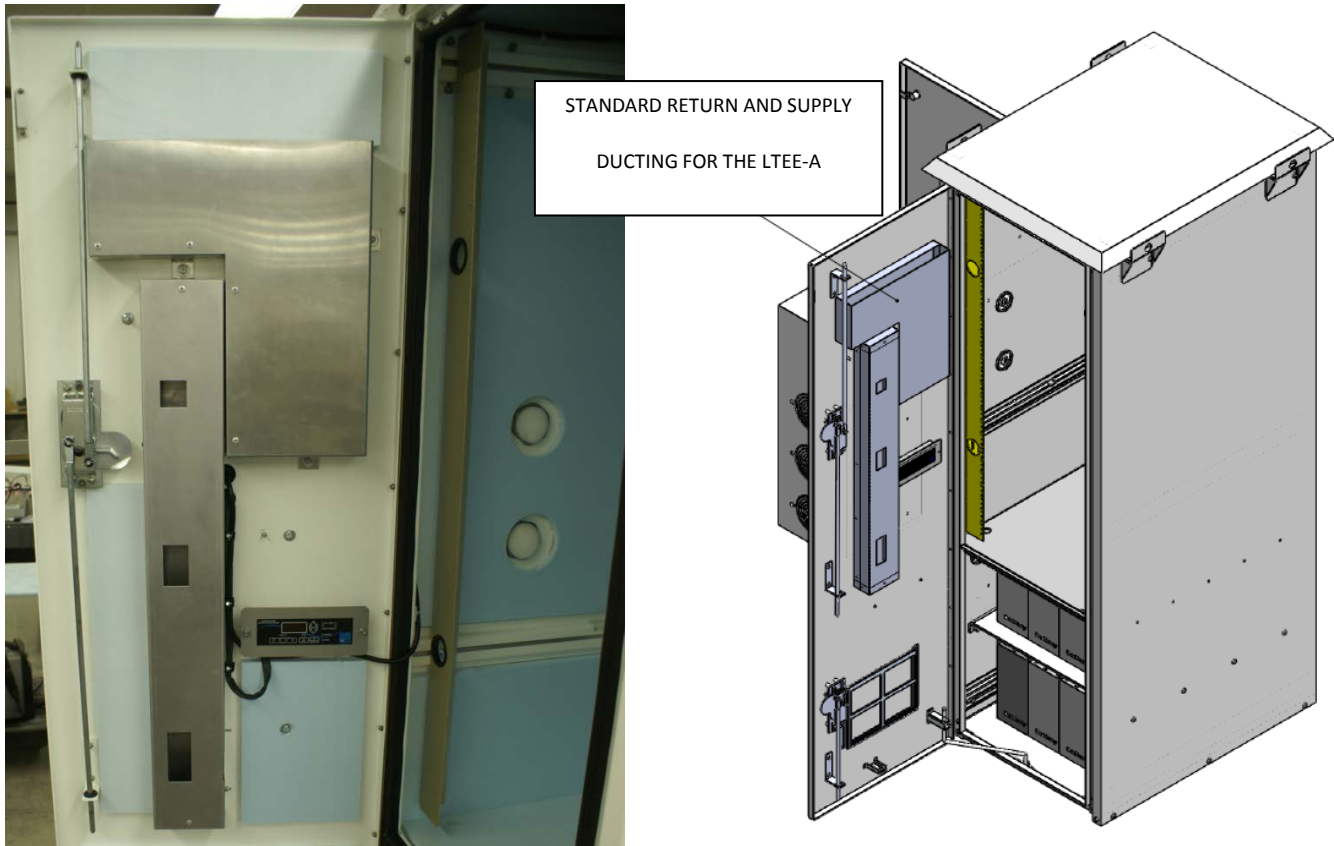


FIGURE 7: RETURN AND SUPPLY DUCTS MOUNTED TO THE INSIDE OF THE FRONT DOOR

2.3.9 CABINET VIEWS AND OVERALL DIMENSIONING FOR THE LTEE-OA

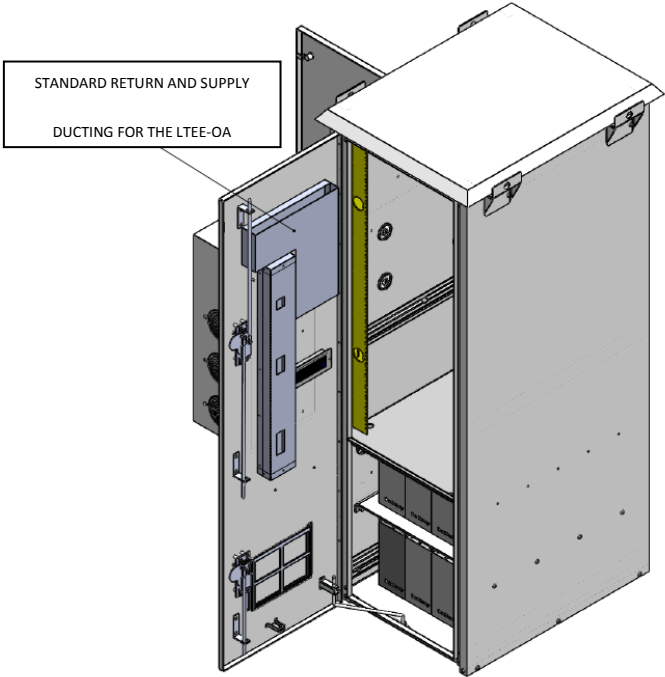


FIGURE 8: ISOMETRIC VIEW OF THE LTEE-OA

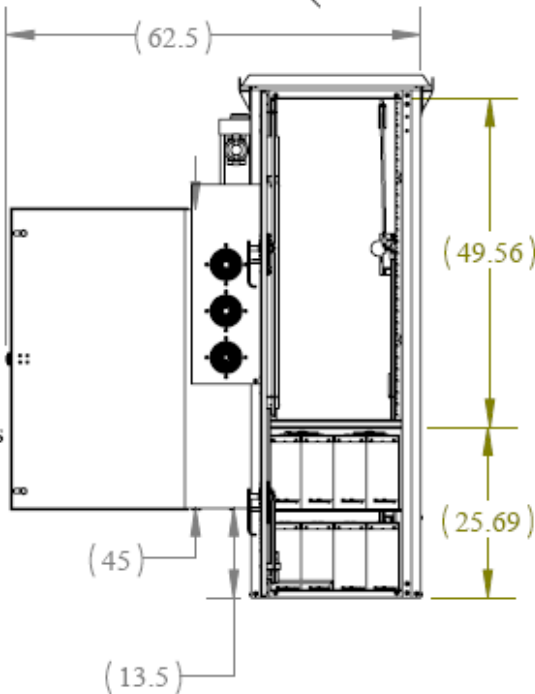


FIGURE 9: FRONT DIMENSIONAL VIEW OF THE LTEE-OA

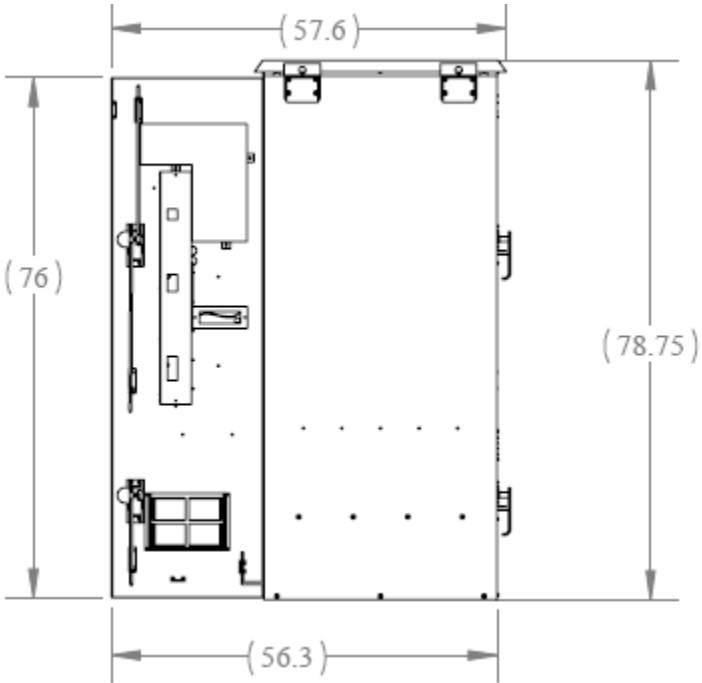


FIGURE 10: RIGHT SIDE VIEW OF THE LTEE-OA

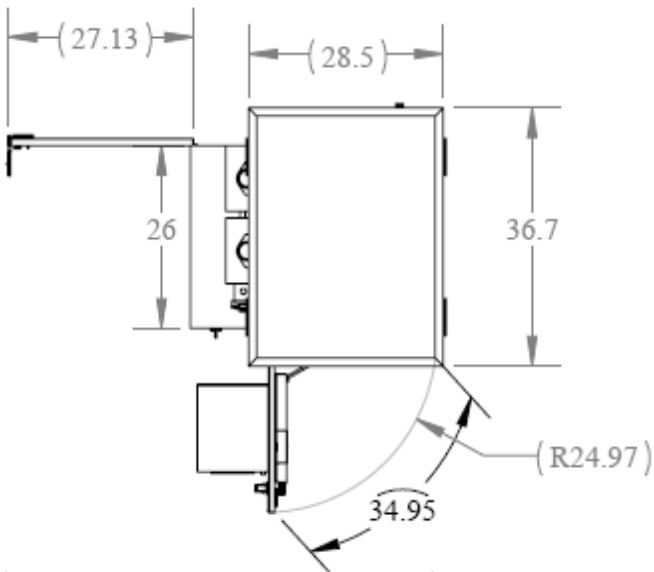


FIGURE 11: TOTAL OCCUPIED SPACE OF THE LTEE-OA

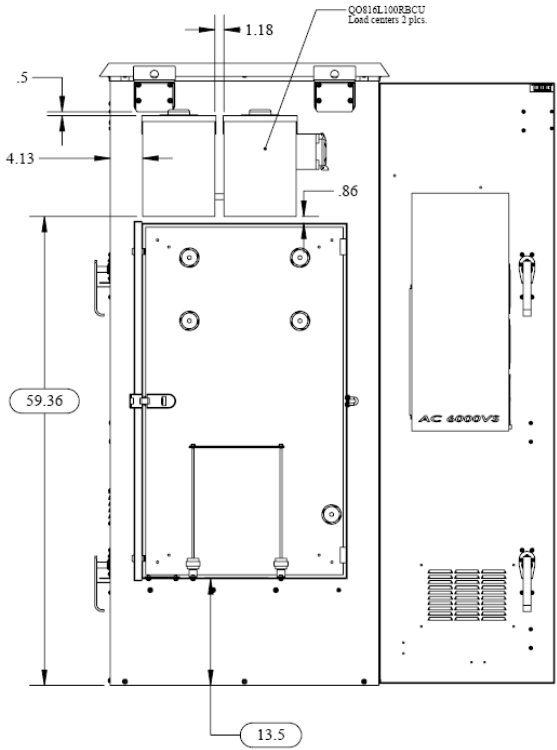
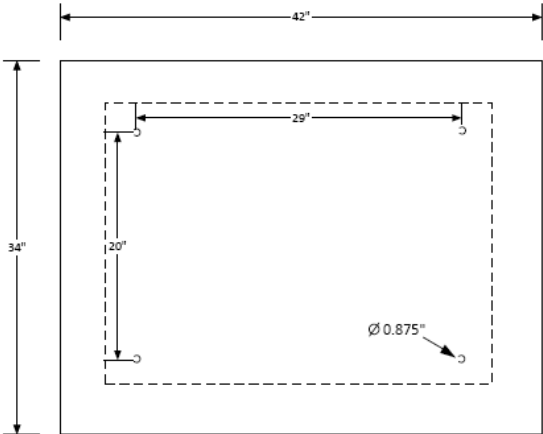


FIGURE 12: LEFT SIDE VIEW OF THE LTEE-OA

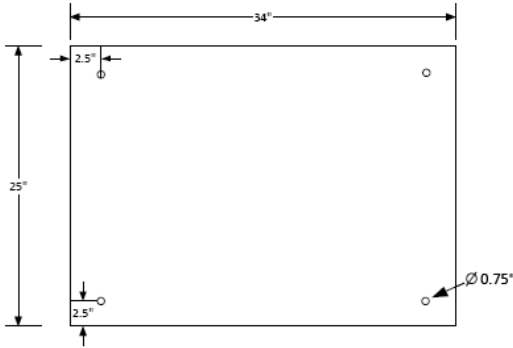
2.3.9A PAD MOUNTING DETAILS

PAD MOUNT LAYOUT



RECOMMENDED PAD LAYOUT
42" L X 34" W, 4" THICK ¼ HARD (3000 PSI)
CONCRETE.

NOTE: REFER TO LOCAL CODES IF ADDITIONAL
ATTACHMENT IS REQUIRED.



BOTTOM OF THE LTEE-OA (TOP VIEW)

- RECOMMENDED PROCEDURE FOR PAD MOUNTING
- 1. DRILL 4 HOLES 3" DEEP, DIA 0.875" (7/8) PER DRILL PATTERN IN CONCRETE PAD. CLEAN HOLES OF DEBRIS.
 - 2. USING A HAMMER, LIGHTLY TAP 3" LAG SLEEVE INTO HOLE UNTIL FLUSH WITH PAD SURFACE.
 - 3. PLACE ENCLOSURE ON PAD WITH ALIGNMENT OF HOLES.
 - 4. USE 2" FENDER WASHER, LOCK WASHER AND SECURE WITH 3"x½" LAG BOLTS.

FIGURE 13: PADMOUNTING DETAIL

3 ELECTRICAL & GROUNDING OVERVIEW

3.1 ELECTRICAL SCHEMATIC FOR THE LTEE-OD & LTEE-OA

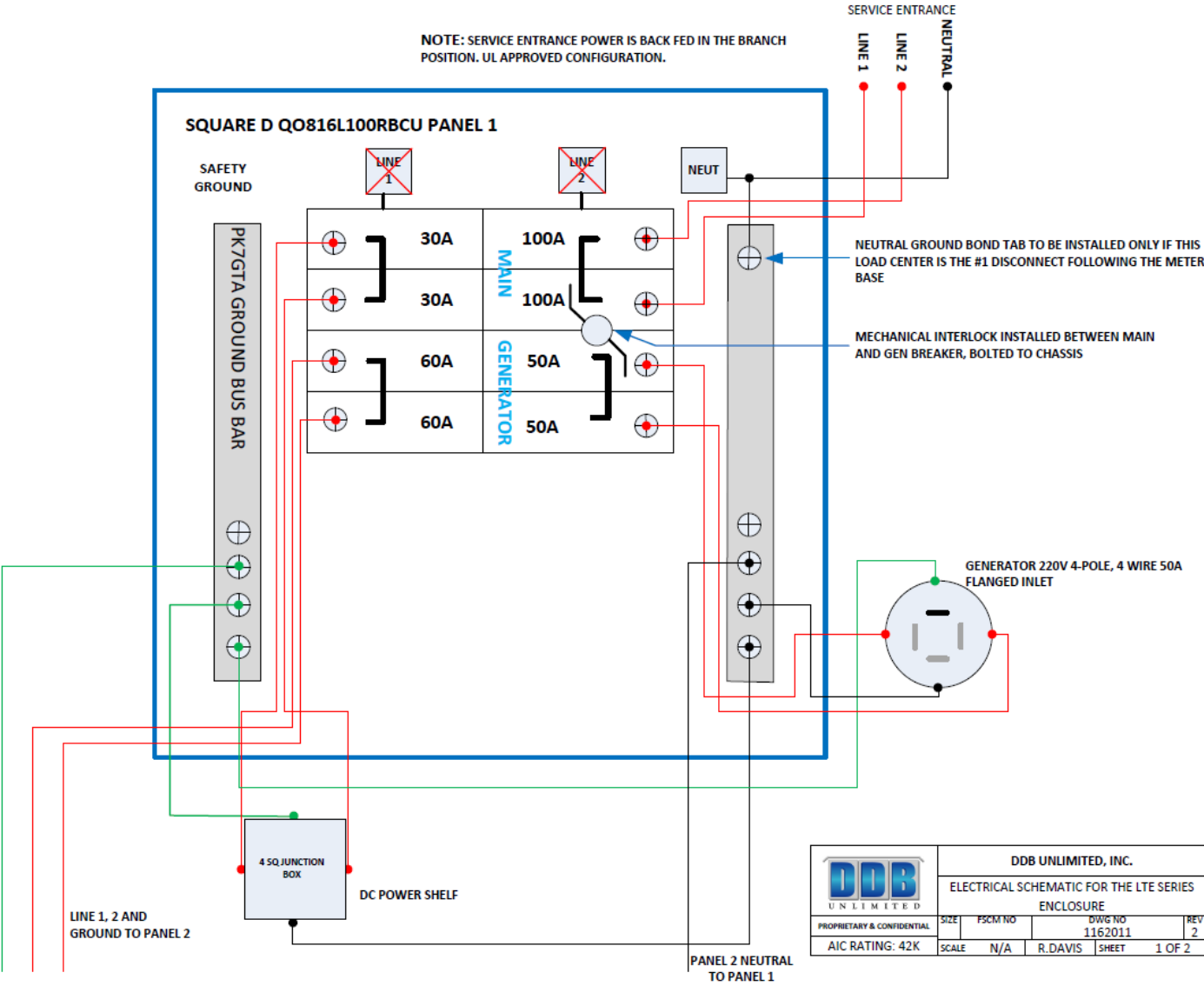
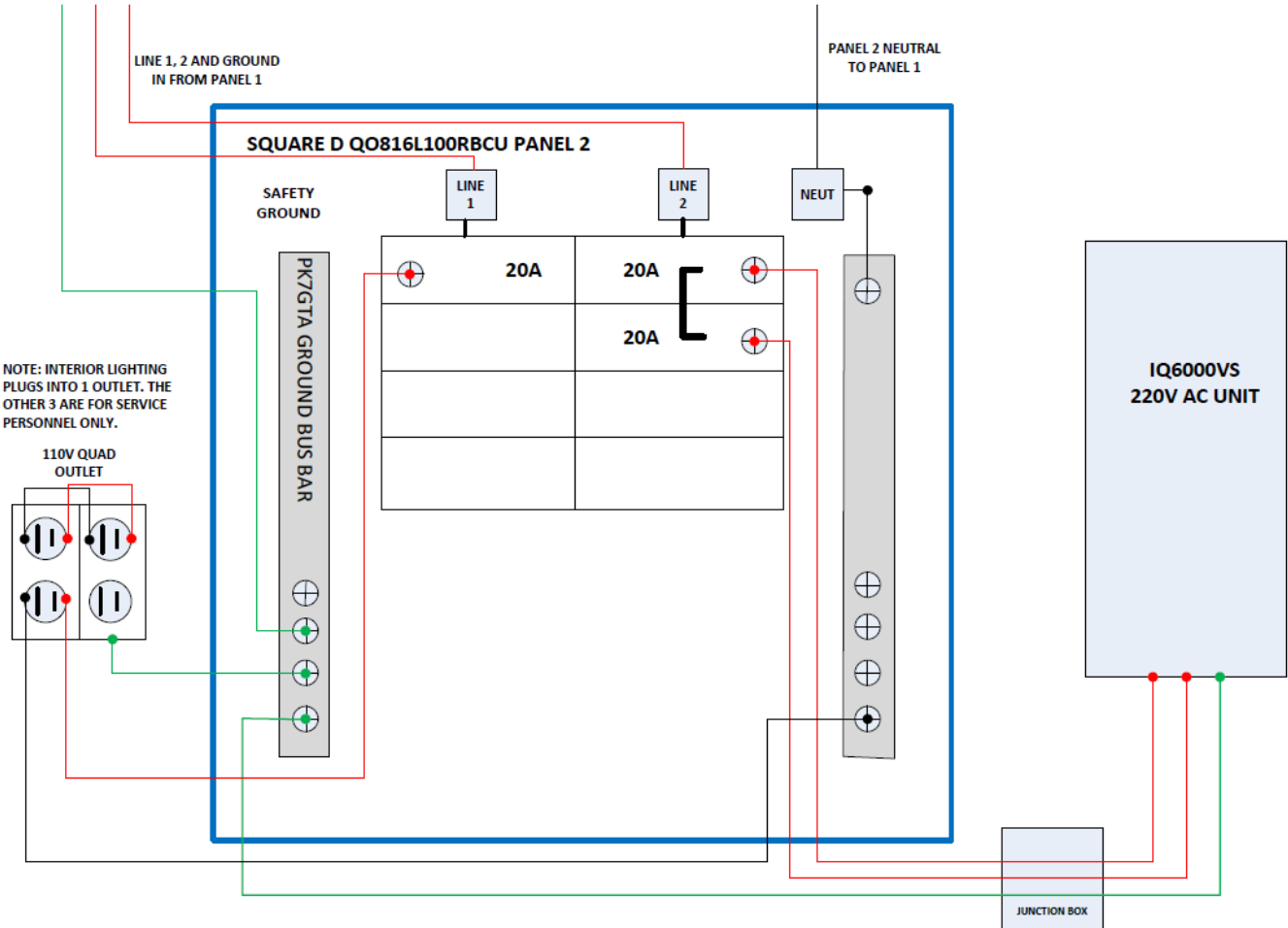


FIGURE 14: ANSI TITLE BLOCK, ELECTRICAL SCHEMATIC PG. 1



		DDB UNLIMITED, INC.			
		ELECTRICAL SCHEMATIC FOR THE LTE SERIES ENCLOSURE			
PROPRIETARY & CONFIDENTIAL	SIZE	FSCM NO	DWG NO	REV	
AIC RATING: 42K	SCALE	N/A	R.DAVIS	1162011	
			SHEET	2 OF 2	

FIGURE 15: ANSI TITLE BLOCK, ELECTRICAL SCHEMATIC PG. 2

3.2 PANEL SCHEDULE FOR THE ELECTRICAL LAYOUT

Panel	Voltage	Designation	Wires	Mains	
Q0816L100RBCU	120/240VAC	A	3WIRE + PK7GTA	100A MLO	
Load Name	Trip	Poles	Ckt. No.	Part Number	Notes
Main	100A	2	1 2	Q0H2100	1,2
Generator	50A	2	3 4	Q0250	1,2
DC Power Shelf	30A	2	5 6	Q0230	
Feeder	60A	2	7 8	Q0260	
1. Provide Q02DTIM Interlock 2. Provide PK2MB Retainer Manufacturer to be Square D					

Panel	Voltage	Designation	Wires	Mains	
Q0816L100RBCU	120/240VAC	B	3WIRE + PK7GTA	100A MLO	
Load Name	Trip	Poles	Ckt. No.	Part Number	Notes
AC Unit	20A	2	1 2	Q0220	
Convenience Outlet	20A	1	3 4 5 6 7 8	Q0120	
Manufacturer to be Square D					

TABLE 1: PANEL SCHEDULE FOR BOTH THE LTEE-OA & LTEE-OD

3.3 GROUND BAR

The side box of both the LTEE-OD & LTEE-OA contain a 12" copper ground bar mounted on isolators. Please see the figure below.

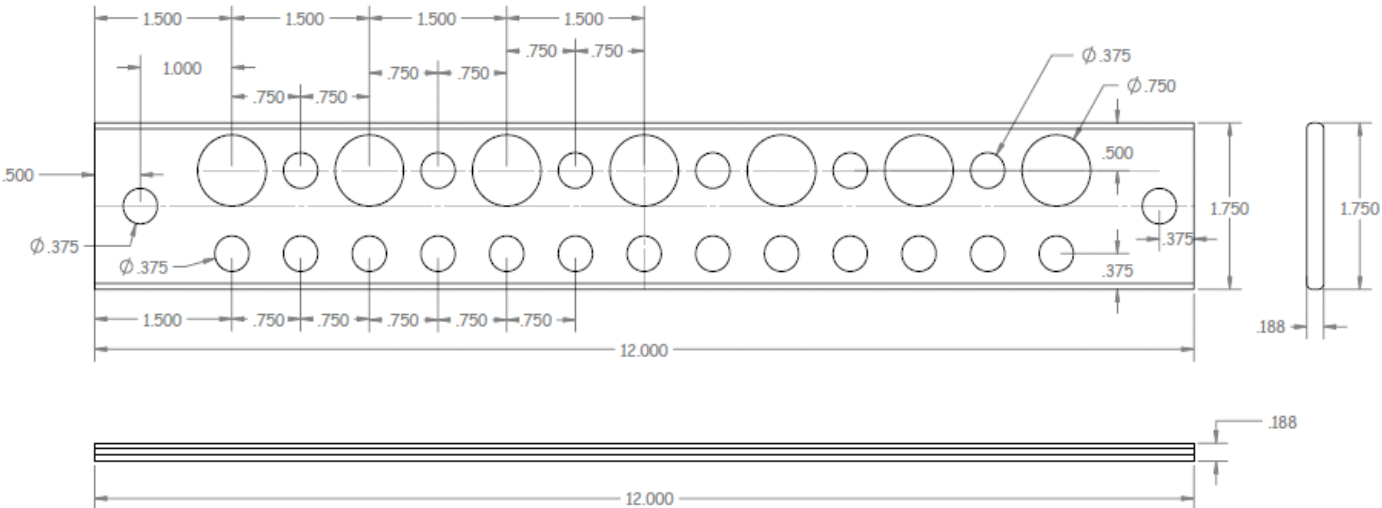


FIGURE 16: 12" GROUNDBAR



3.4 GROUND BAR ASSEMBLY DETAIL

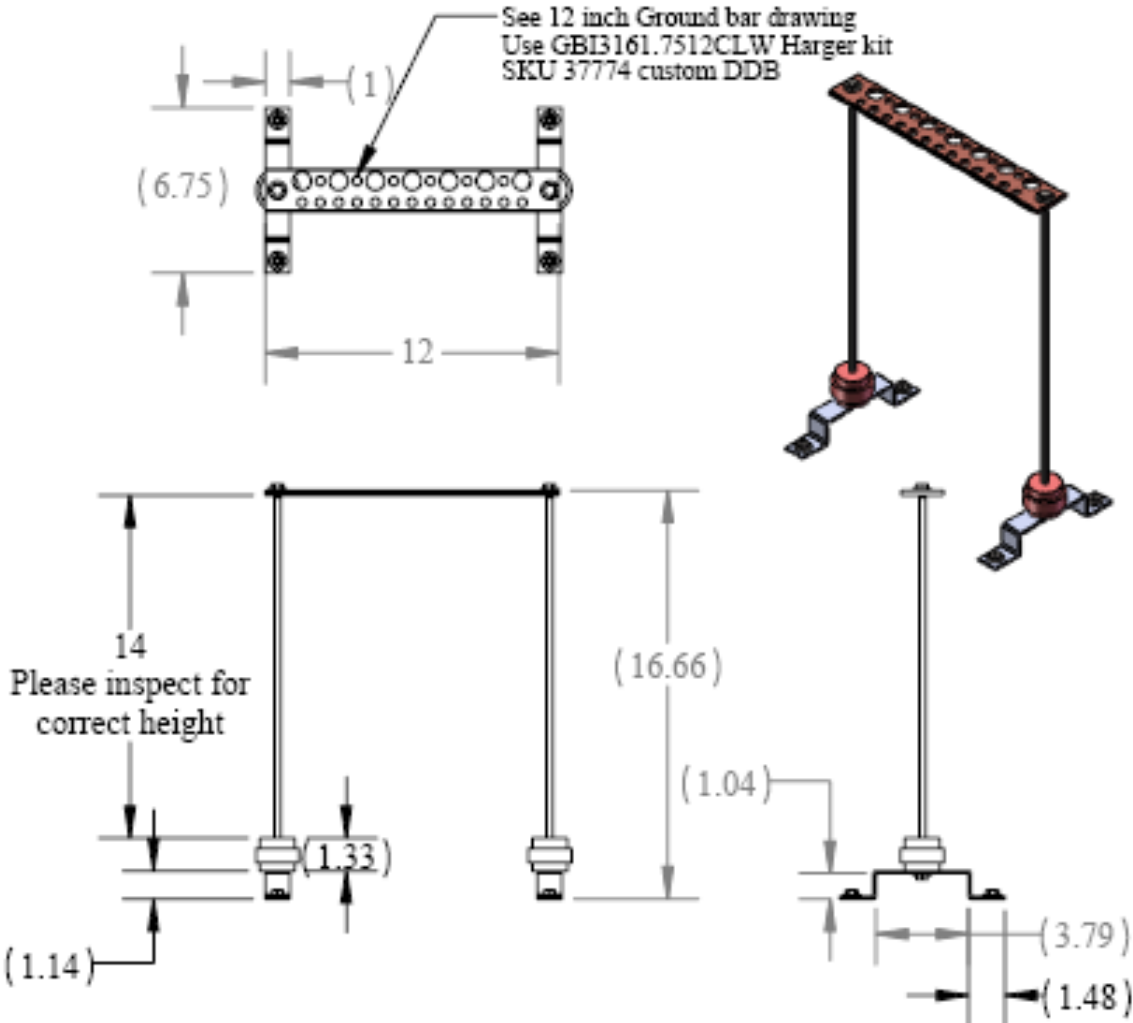


FIGURE 17: GROUND BAR ASSEMBLY DETAIL

4 RACK RAILS OVERVIEW

4.1 RACK RAILS

The rack rails for the LTE series are pictured below in Figure 34. They are made from 0.125" aluminum and have an Alodine coating. The mounting holes are tapped for a 10-32 mounting screw and are spaced according to EIA standard for 19" rack mounting.

The rack rails are etched with RU numbers for simplified installation of equipment to a prescribed mounting location. Rack rails are oriented so the RU markings are visible on the right hand rail through either the front door or the rear door; rails are adjustable front to rear to aid in equipment profile positioning.

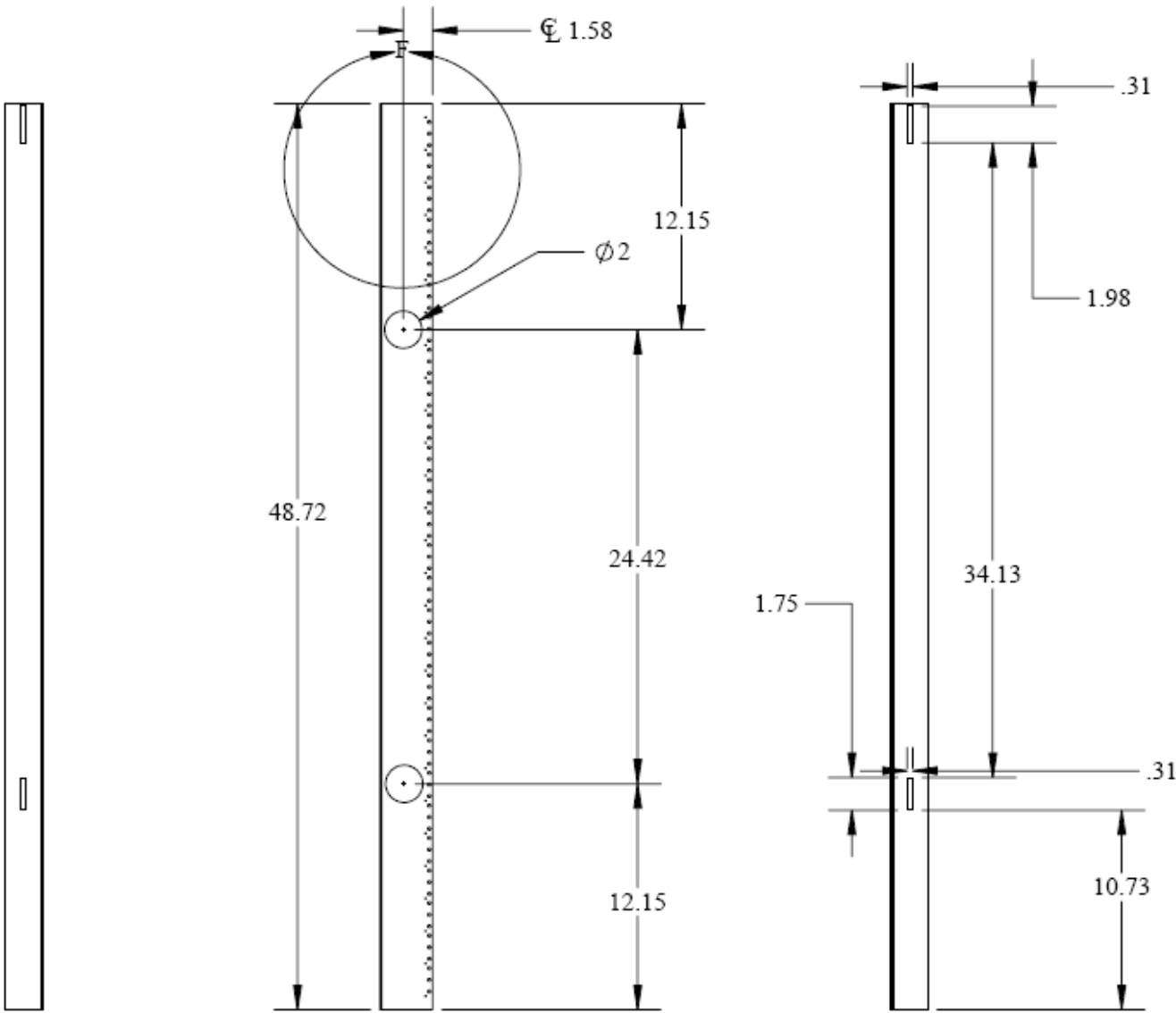


FIGURE 18: RACK RAIL DETAIL: PLEASE NOTE THAT DETAIL "F" IS ON THE FOLLOWING PAGE.

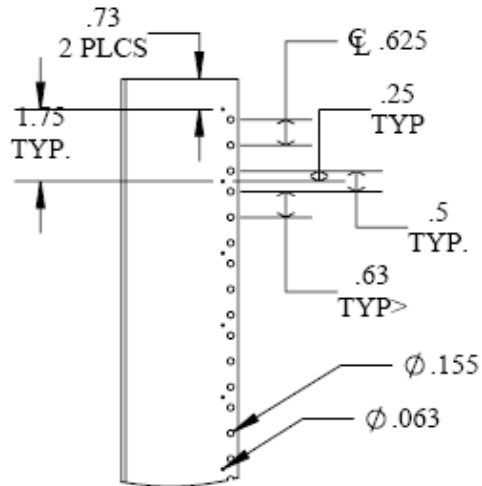


FIGURE 19: DETAIL "F" OF THE RACK RAIL DETAIL FROM THE PREVIOUS PAGE

Additionally, there is a 1/2" bridge strap that is mounted in top 1/2" of each rail for additional grounding. See notes within Figure 36.



FIGURE 20: 1/2" GROUND STRAP FOR THE LTE SERIES RACK RAILS.



Double Lug rail mounted.

Double Lug ground bar mounted.

5 BATTERY BOX & SIDE BOX OVERVIEW

5.1 BATTERY BOX EXHAUST FANS



The LTE series has a direct air ventilated dual shelf battery compartment designed to hold up to strings of (4) 12v, 180ah VRLA Telecom batteries. The intake filter is mounted to the front door and the exhaust on the rear door. See FIGURE 18 for airflow detail. The battery compartment is ventilated with (2) 48v 110cfm fans. See fan detail below.

4400 Series Tubeaxial
119x119x38mm

- DC fans with electronically commutated external rotor motor. Fully integrated commutation electronics.
- With electronic protection against reverse polarity, locked rotor and overloading.
- Innovative impeller design with winglets.
- Fan of fiberglass reinforced plastic. PBTP housing, PBT impeller.
- Air exhaust over struts. Rotational direction CW looking at rotor.
- Electrical connection via 2 leads AWG 22, TR 64. Stripped and tinned ends.
- UL, CSA, VDE approvals on some models, please contact application engineering.

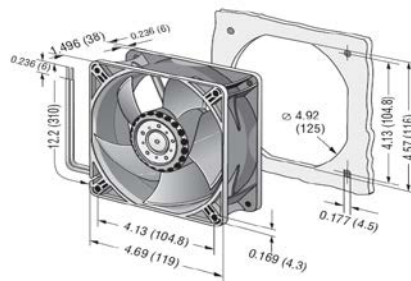
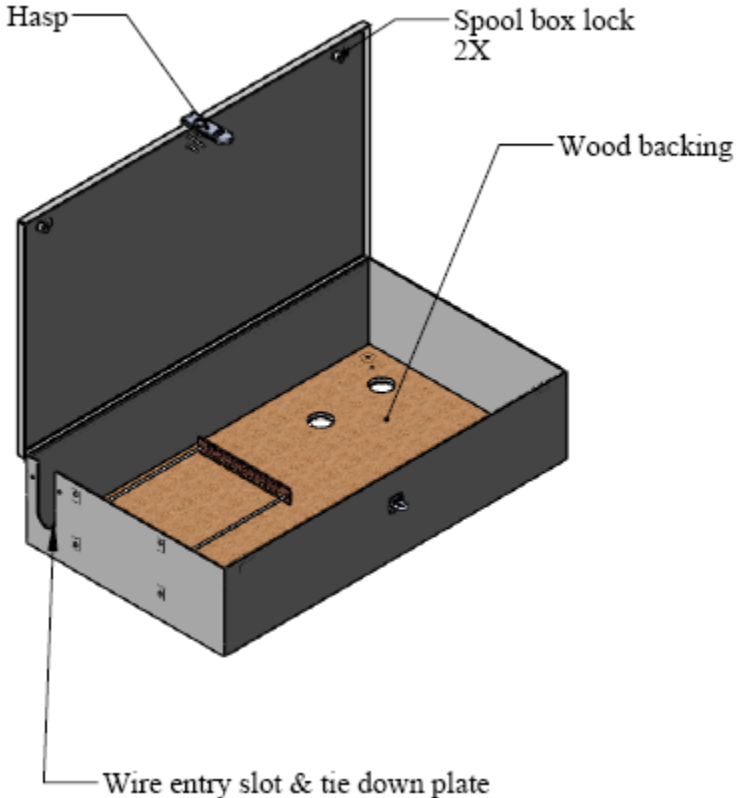


FIGURE 21: DC AXIAL EXHAUST FANS FOR THE BATTERY COMPARTMENT

5.2 SIDE BOX DETAIL



SIDE BOX DETAIL

- The side box is 45”H x 26”W x 10”D with a removable back plate, (5) 2” cable pass through openings and a 12” copper ground bar on 14” risers and isolators (1).
- Notched accessory cable insertion point, gasket sealed for max. diameter cable of 1.625” (2). Shown with lock plate.
- Optional cable entry plate (3), hole specification and layout is TBD.
- The elevation of the spool box is 13.5” off the ground to allow for cable bend.

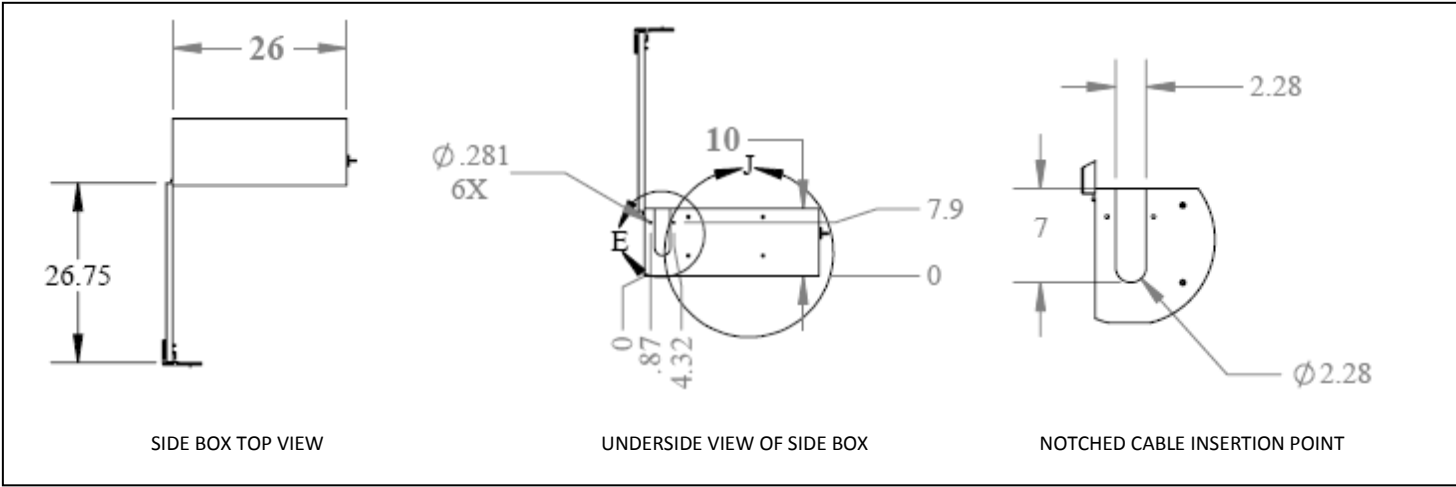


FIGURE 22: SIDE BOX DETAIL & DIMENSIONS

6 APPENDICES:

6.1 AIR CONDITIONER OPERATING MANUAL



Intelligent Electronic Enclosure Thermal Management Systems



OPERATION AND INSTALLATION MANUAL

*** IMPORTANT ***

PLEASE READ this manual and follow the instructions for safe and satisfactory installation and operation of this system. Keep this manual for future reference. Some information may not apply to all systems.

INTRODUCTION:

Ice Qube's Thermal Management System, TMS, is designed to cool, dehumidify or heat the internal environment of modern electrical enclosures. Ice Qube offers efficient and aesthetically appealing packages that can be mounted on top or on the side of your enclosure. Our closed-loop circulation design protects your equipment from air-borne dust and contaminants which may hinder equipment operations, causing unnecessary down time. Ice Qube is able to provide cooling capacities from 1,000 to 20,000 BTU per hour - a wide range of cooling systems to satisfy many of your conditioning needs.

BASIC OPERATION:

The Ice Qube's Thermal Management System, TMS, is actually a combination of three independent systems which function simultaneously to maintain environmentally friendly conditions for various types of electronic equipment enclosures. These three thermal related systems are: the closed-loop cool air system; the warm air system; and the vapor-compression refrigeration system. Please refer to Figure 1.

The closed-loop cool air system circulates cold air from the Ice Qube TMS to the electronics enclosure. This air returns to the Ice Qube system bringing with it unwanted heat and humidity from inside the enclosure. Heat and humidity is then removed by a heat exchanger located within the Ice Qube TMS. This heat exchanger is part of the vapor-compression refrigeration system.

At the heart of the vapor-compression refrigeration's system is a quiet, energy efficient rotary compressor which circulates environmentally friendly NON-CFC refrigerant from the evaporator, located within the closed-loop cool air system, to a condenser, located in the warm air system. In the warm air system, air is circulated from the ambient surrounding the enclosure, through a filter, and across the warm air system heat exchanger. Here, heat from the enclosure is transferred from the warm air heat exchanger into the warm air stream and dissipated to the ambient.

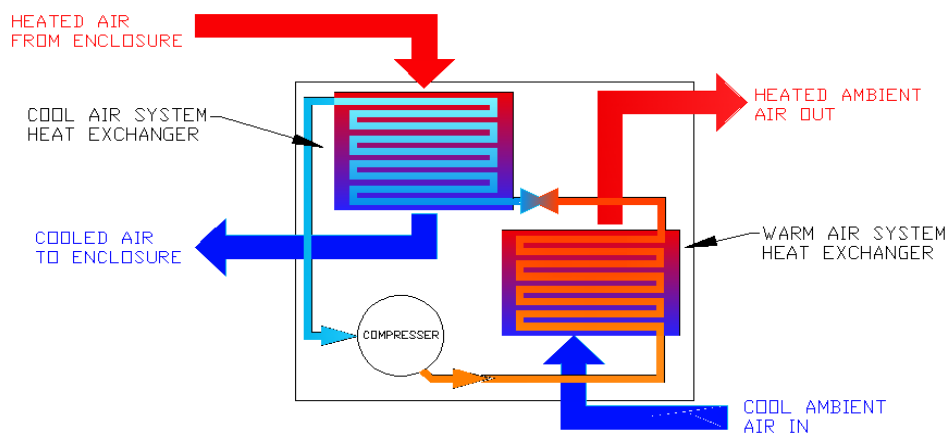


Figure 1: Flow Diagram

UNPACKING INSPECTION:

1. The shipping container leaves the factory banded to a pallet with red arrows imprinted on the box. These red arrows should be pointing in the proper (upward) direction. The Ice Qube TMS is position sensitive. Ice Qube recommends the unit to remain in the proper upright position for a minimum of 24 hours before initial operation. This is to ensure the oil has returned to the compressor. Operation before the 24 hour time period may cause damage to the compressor, hence shortening the life of the system.

Note: Operating the unit before maintaining an upright position for 24 hours will void all warranties.

2. Check for any damage to the shipping container. If the shipping container has been damaged or marred in any way, carefully check to see if the Ice Qube TMS incurred any damage. Check for scratches, dents, rattles (which may indicate loose components), the presence of oil, and any other irregularities. Any evidence of damage will need to be recorded on the freight bill and reported to the carrier. The freight carrier will provide instructions on filing a claim. **Ice Qube cannot accept responsibility for damages that occur during shipping.**

PRE-INSTALLATION TEST:

Before installing the Ice Qube system on the enclosure, it is recommended the unit operate for 20 to 30 minutes to ensure it is functioning properly. Although the Ice Qube TMS has been tested at the factory, internal damage may have occurred during shipping which may have not been apparent during the unpacking inspection.

1. Place the system on a solid base such as a workbench or table. Verify whether the unit is a Top or a Side Mount air conditioner. Be sure to allow adequate space for airflow. There are two air streams that must not be restricted, the cool air stream and the warm air stream. Top mount units must be elevated to provide adequate airflow for the cool air stream located on the bottom of the system.

Top mount units can only be mounted on a flat horizontal surface. Side-mount and Bottom flow units can only be mounted on a flat vertical surface.



Figure 2: Top mounted unit



Figure 3: Side mounted unit

PRE-INSTALLATION TEST: *-continued-*

2. Check that the warm air system filter is in place, location varies with model type.

Models with the optional rain or wash down hood do not have a warm air filter and will require regular routine condenser maintenance.

3. Check the data tag for proper electrical requirements. The data tag lists the design voltage and amperage requirements of the system. Verify that the electrical outlet where the system will be connected has the proper capacity. After noting the above, connect the power cord to a properly grounded electrical connection. The use of an extension cord is not recommended.

NOTE: *If any unusual noise or vibration is present during the testing procedure, immediately disconnect the power cord and inspect the unit for the cause of the noise or vibration. Contact Ice Qube immediately.*

4. As soon as power is supplied to the system, the cool air evaporator blower will begin to operate, (excluding Top mount models – see following note). The compressor and warm air condenser blower will not operate if the room air temperature is below 80°F. This is due to the fact the programmable controller has a factory setpoint of 80°F. (The digital display on the face of the controller will be displaying room temperature.) If the display is indicating 80°F or warmer, the “Cool” status LED will flash for 3½ minutes before the compressor and the warm air condenser blower will operate.

NOTE: *Top mount unit evaporator blowers are electrically connected to cycle with the compressor and condenser blower.*

If the display is indicating a temperature less than 80°F, adjust the setpoint to a temperature lower than the room temperature in order for the compressor and warm air condenser blower to operate. Refer to the “Programming the Controller” section of this manual in order to change the factory set points.

5. With the compressor and both blowers functioning, allow the unit to operate for 20 to 30 minutes. This will provide sufficient time for the vapor compression system to achieve equilibrium. Measure the cool air outlet temperature with an accurate thermometer. This temperature should be at least 10 degrees colder than the inlet air temperature, (if the room temperature is warmer than 70°F). Inlet air temperature will be displayed on the programmable controller. In areas of high humidity, the temperature difference may be less than 10 degrees.
6. After completing the above check points, the electrical enclosure is ready to be prepared for the installation of the Ice Qube system.

PREPARING THE ENCLOSURE:

Ice Qube air conditioning systems have been designed to be light weight for ease of installation. Side enclosure or vertical mount units have been designed with a simple “two stud” alignment feature to make initial fastening to the enclosure quick and easy. A few modifications must be made to the enclosure to provide proper airflow, to maintain enclosure integrity, and to assure a secure installation. Required modifications will vary with each air conditioner model.

1. Determine the location of the Ice Qube system on the enclosure.

*** CAUTION ***

Verify the weight of the air conditioning system will not cause the enclosure to become unbalanced. Equipment instability may cause bodily harm or equipment damage. For units mounted on enclosure doors, confirm the hinges will support the weight of the Ice Qube system. Refer to system specifications for model weights.

2. Upon deciding the location of the Ice Qube system on the enclosure, attach the included template to the enclosure surface. This template drawing will assist the installer in placing the air conditioning unit on the enclosure. Be sure the Ice Qube system will be mounted level and the cool air inlet and outlet connections will not be restricted by equipment or shelving within the enclosure. Also check that the air flow of the warm air stream will not be effected or restricted by the surroundings.
3. Outline the modifications for the enclosure with a marking pencil. Note the bolt hole locations, the cutouts for the inlet and outlet air streams, the power cord and the locations for any optional equipment. Additional cable openings may be required for units with optional heating or alarm outputs, or for units connected to a network communications link.
4. Using a drill, make the holes for the studs, bolts and power cord and any other option. The bit size will need to vary depending upon the model. Protect any equipment located within the enclosure from debris produced during the installation procedure.
5. Drill a pilot hole for a saber saw to cut the inlet and outlet air passages. File all cuts to provide a uniform cutout.
6. Slide the mounting studs through the matching holes in the enclosure. Verify that all of the openings are aligned. Top mount units do not have mounting studs.
7. After checking that all openings and bolt holes are in alignment, apply the gasket material provided to the Ice Qube air conditioning system cabinet to ensure enclosure integrity.

*** CAUTION ***

Be careful while removing the backing on the gasket material. The material may stretch and the holes will not align.

NOTE: If the enclosure is not air tight or the air conditioning system operates with the enclosure door(s) open, moisture will condensate inside the air conditioning system and may cause the condensate management system to overflow.

8. After the gasket material has been installed, mount the Ice Qube system onto the enclosure and fasten it using the supplied nuts and bolts. Check to see if the power cord and all optional cables are in place. Fasteners need to be tightened securely and the gasket material needs to be in place in order to maintain enclosure integrity. The gasket material should be slightly compressed with no visible gaps. The Ice Qube system is now ready to begin operation.

NOTE: Near the bottom or on the side of the Ice Qube system cabinet is a nipple for condensate overflow. Although all vertical or side mounted Ice Qube air conditioners have built-in condensate management systems, it may be necessary to attach a drain hose to this nipple on enclosures which are located in extremely humid conditions, or where enclosure doors are left open or the door seals are leaking.

Top mount models do not have a built in condensate evaporation system. In order for the drainage system to operate properly, the factory supplied drain kit with a "Tee" must be installed per factory instructions. Ice Qube cannot be held responsible for improper installation.

OPERATING THE SYSTEM:

Once the Ice Qube system has been installed onto the enclosure and the power cord has been attached to a properly grounded electrical outlet with adequate voltage and current supply, the unit is ready for operation. As soon as electrical power is supplied to the Ice Qube system, the cool air stream blower will start to operate, (except for Top mount units). The blower will run continuously so that the controller can monitor the enclosure's internal temperature. The enclosure temperature will be displayed on the face of the controller.

If the enclosure temperature is greater than the factory cooling setpoint of 80°F, the "Cool" status LED will flash. This indicates that the compressor's automatic off cycle timer is working. (The off cycle timer is factory set at 3½ minutes). At the end of 3½ minutes, the compressor and the condenser air blower will begin to operate. This signifies that the cooling system has begun operation to remove heat and humidity from the enclosure. This procedure may take 20 to 30 minutes before it reaches full capacity.

If the heat load within the enclosure is less than the cooling capacity of the Ice Qube system, the temperature on the digital display will begin to decrease. When the temperature inside the enclosure decreases 7 degrees Fahrenheit below the "Cooling on" setpoint, the compressor and the condenser blower will cycle off. The cool air blower will continue to operate, circulating air within the enclosure. The controller has a factory programmed temperature differential of 7 degrees Fahrenheit. Example: "Cooling on" @ 80°F; "Cooling off" @ 73°F.

Ice Qube also offers two heat options: an External Heat Output (EHO) which provides power to an external heater typically located within the equipment enclosure; and an Internal Heat Output (IHO) which provides a heater located within the air conditioning unit. If the enclosure temperature is below the factory heating setpoint of 50° F, the heat status LED will be "on". This indicates the heat relay has been energized and is providing power to the heater. (There is no time delay before heating begins). When the temperature of the enclosure rises 7 degrees Fahrenheit above the setpoint, the controller will de-energize the heat relay and cycle the heater "off".

NOTE: There is a dead band programmed into the controller that prevents heating and cooling from operating simultaneously.

See the label attached to the rear of the air conditioner for maximum wattage requirement of the heater(s).

PROGRAMMING THE CONTROLLER:

The digital controller has many features that may or may not be required for your application. However, the controller has been programmed at the factory with typical default settings for immediate system operation. Please review the following default settings:

- | | |
|-------------------------------------|-------------------|
| 1. Cooling system on temperature | 80° F |
| 2. Heating system on temperature | 50° F (optional) |
| 3. High enclosure temperature alarm | 100° F |
| 4. Low enclosure temperature alarm | 40° F |
| 5. Audible and Visual alarm | “ON” |
| 6. Digital display in degrees | Fahrenheit |
| 7. Filter maintenance alarm | 0 days - Disabled |
| 8. High condenser temperature alarm | 170° F |

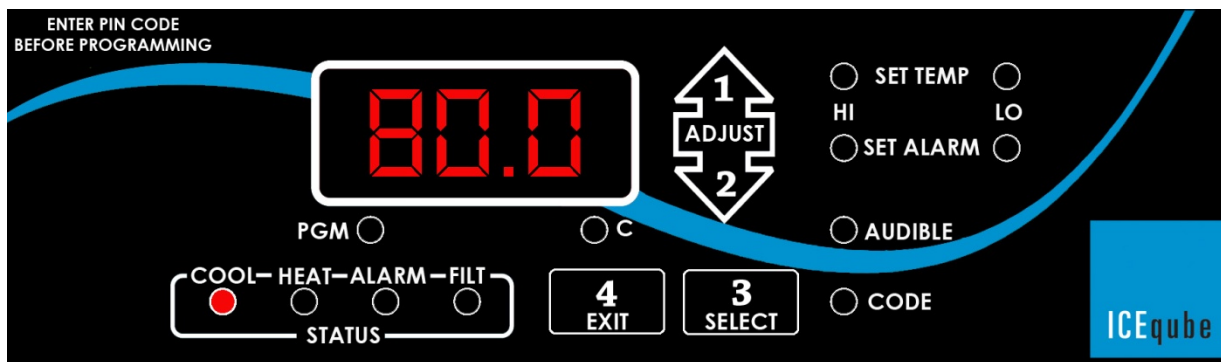


Figure 4: Digital Controller

To change the factory default settings, enter the programming code sequence:

“1 Adjust-up” arrow

“2 Adjust-down” arrow

“3 Select”

“4 Exit”

After pressing the above sequence the program LED should illuminate along with three alternating flashing boxes on the display face, indicating the code was accepted. If no selection is made within one minute, the system returns to the normal operating mode.

Note: Pressing the “4 Exit” button at any time while in the programming mode returns the controller to the normal operating mode.

Press the “3 Select” button to continue programming. The set temperature “HI” LED illuminates with the display indicating the ‘cooling on’ setpoint. The compressor will begin operation at this temperature and will remain operating until the enclosure temperature decreases approximately seven degrees Fahrenheit (four degrees Celsius). Press the “1 Adjust-up” or “2 Adjust-down” arrow until the desired set point is displayed. The range for this adjustment is 70° to 126°F, (21° to 52°C). When the adjustment is complete, press the “3 Select” button to continue.

PROGRAMMING THE CONTROLLER: *-continued-*

The set temperature “LO” LED is *on* with the display indicating the (optional) ‘heating on’ set point. The heating system will begin operation at this temperature and remain operating until the enclosure temperature increases approximately seven degrees Fahrenheit (four degrees Celsius). Press the “1 Adjust-up” or “2 Adjust-down” arrow until the desired set point is displayed within a range of 0°F to 63°F (-17.8°C to +17°C).

NOTE: Review alarm settings if the ‘cool on’ or ‘heat on’ set points have been changed.

Press the “3 Select” button to continue. The set alarm “HI” LED is *on* with the display indicating the high temperature alarm setpoint. The alarm will activate at this temperature and will automatically reset at two degrees Fahrenheit (one degree Celsius) below this temperature. Press the “1 Adjust-up” or “2 Adjust-down” arrow to change the alarm setpoint within a range of 8°F (or 4°C) above the set temperature “HI” set point, to 135°F (or 57°C).

Press the “3 Select” button to continue. The set alarm “LO” LED is *on* with the display indicating the low temperature alarm set point. The alarm will activate at this temperature and will automatically reset at two degrees Fahrenheit (or one degree Celsius) above this temperature. Press the “1 Adjust-up” or “2 Adjust-down” arrow to change the alarm setpoint within a range of 8° F (4°C) below the set temperature “LO” set point to -20°F (or -29°C).

Press the “3 Select” button to continue. The alarm LED will flash and the display will show “ALL”, indicating the “ALL” alarm on/off status. Press “3 Select” and the display will show either “ON” or “OFF”, indicating current alarm status. Press “1 Adjust-up” or “2 Adjust-down” to toggle the mode as desired. If the “OFF” mode is selected, no alarms will activate and the audible on/off select function is skipped.

Press the “3 Select” button to continue. The audible LED will flash and the display will show “AUD”, indicating the audible alarm on/off status. Press “3 Select” and the display shows “ON” or “OFF” indicating the current audible alarm status. Press “1 Adjust-up” or “2 Adjust-down” arrow to toggle the mode desired.

Press the “3 Select” button to continue. The “C” LED flashes and the display shows either “F” for degrees Fahrenheit or “C” for degrees Celsius. Press the “1 Adjust-up” arrow or “2 Adjust-down” arrow to toggle the mode as desired.

Press the “3 Select” button to continue. The code LED is on and the display shows “PIN”. To set a new user PIN code, press the “1 Adjust-up” button. The display will flash “4”, prompting an entry of a four button sequence using the “1 Adjust-up”, “2 Adjust-down”, “3 Select” and/or “4 Exit” buttons. (Any sequence of the four buttons may be programmed as the code.) As the buttons are pressed, the display will show the number of buttons that were pressed.

NOTE: After pressing a button, there will only be 5 seconds to press the next button. If the next button is not pressed within the allotted time, the system will default to no PIN code, indicated by "0" on the display. Once the sequence is entered the display will no longer flash, and will show "4".

PROGRAMMING THE CONTROLLER: *-continued-*

To program the no PIN code mode, press "**2 Adjust-down**" and the display will show "0", indicating no PIN code. With no PIN code, pressing any button will permit access to the program.

*** CAUTION ***

Always record the selection sequence (PIN code) and store in a secure place.

Press the "**3 Select**" button to continue. The filter LED flashes and the display will show "FIL", indicating the filter alarm days selection. Press the "**3 Select**" button and the display will show the number of days that the alarm is set in one-half day increments. (Example: 10.5 indicates the alarm will activate every ten and one-half days).

Press the "**1 Adjust-up**" or the "**2 Adjust-down**" arrow to vary the desired number of days. Programming 0 days will disable the alarm.

NOTE: The required number of days to set this alarm will be determined by the ambient air conditions. If rain or wash down hoods are installed on the system, no filter is supplied and the filter alarm should be set to "0". This will disable the filter alarm.

Press the "**3 Select**" button to continue. *(Making adjustments to this setting is necessary only for installation of the ICENET communication network. Omit this otherwise.)*

The program LED will be lit and the display will show "Add". This is where the numerical address of the Ice Qube air conditioning system communication network, *ICENET*, is inputted. Press the "**1 Adjust-up**" or the "**2 Adjust-down**" arrow until the desired numerical address is displayed. (Maximum range is 0.5 to 32.0 in 0.5 increments). Please make record of this numerical address and system location in order that it may be entered into the *ICENET Unit Description folder* on the *Options Screen*.

Programming of the microprocessor is now complete. Press the "**3 Select**" button to review all of the settings. Press the "**4 Exit**" button to enter the selected settings and to return to the normal operating mode.

NOTE: If the "**(4) Exit**" button is not pressed, any changes to the program settings will not be saved.

ALARM OPERATION:

1. **The enclosure temperature is above or below the alarm set point:**

The alarm LED will light, the display flashes, either "HI" or "LO" LEDs flash with the display and the audible alarm sounds (if activated). The enclosure temperature must rise or fall two degrees Fahrenheit (one degree Celsius) before the alarm will reset.

2. **The condenser temperature is above the condenser alarm set point:**

The alarm LED lights, the display flashes the condenser temperature, and the audible alarm sounds (if activated). The condenser temperature must fall four degrees Fahrenheit (two degrees Celsius) before the alarm will reset. **The above alarms can be manually reset by entering the PIN code into the system.**

ALARM OPERATION: *-continued-*3. **The filter day timer has expired:**

The alarm LED lights, the display flashes showing "FIL", the filter LED flashes with the display and the audible alarm sounds (if activated). The filter alarm may be cleared by pressing "4 Exit".

4. **Optional Alarm Output:**

Ice Qube also offers an optional alarm output that is provided through an alarm relay. This option is a dry contact (no voltage) set of contacts that may be configured as:

Normally Open (X01 – close on alarm condition), Black & White wires

Normally Closed (X02 – open on alarm condition), Black & Red wires

Normally Open and Normally Closed (X03 – close on alarm condition), Black, White & Red wires.

5. **Sensor Malfunctions:**

E-O - Evaporator sensor open

E-C - Evaporator sensor shorted

C-O - Condenser sensor open

C-C - Condenser sensor shorted

NOTE: An alternating E-O ... C-O display may indicate the sensor connector has become disconnected from the rear of the controller.

6. **Incorrect Voltage Supply**

A continual flashing value of "3.15" or "3.16" on the display screen indicates the supply voltage is either too high or too low.

MAINTENANCE:

The Ice Qube air conditioning system is designed to provide many years of trouble-free operation with minimal amount of maintenance. Primary maintenance consists of checking the condition of the ambient air filter and the condensate management system.

1. **Ambient Air Filter:** It is recommended that the ambient air filter be inspected and cleaned regularly; frequency will depend upon ambient conditions. To check the condition of the air filter, it is recommended to first remove electrical power from the Ice Qube system. Next, locate the filter cover and filter, (location will vary by model). Slide the filter from the filter rack through the end slot and clean by soaking in warm soapy water. Rinse with clean water. Use a shop-vac to remove excess water from the filter before returning it to the system. Replace the filter if it is showing signs of deterioration.

NOTE: If rain or wash down hoods have been installed, a filter would not have been supplied, therefore no filter maintenance is required. However systems equipped with rain or wash down hoods will require regular condensing section maintenance by qualified personnel. For systems equipped with filters, it is recommended to have a spare clean filter in stock in order to prevent prolonged cooling system downtime. The dirty filter may be cleaned at a more convenient time.

MAINTENANCE: *-continued-*

1. **Condensate Management System:** The condensate management system should be checked periodically for scale, sludge and debris that may cause the system to fail. The type of environment will determine the frequency of required maintenance.
2. Maintenance of the condensate management system will require removal of electrical power from the Ice Qube system and removal of the cover. *Please contact Ice Qube before removing the cover during the warranty period.*

*** CAUTION ***

Electrical wires are connected from the cover to the base.

Removing the cover will allow access to the primary condensate management pan, which is located below the evaporator. Inspect the condensate pan and the drain nipple for signs of scale, sludge or debris that may prevent water flow through the nipple. To clean the debris from the pan, use a clean absorbent cloth or shop-vac. Nipples may be cleaned using a ¼ inch tubing brush, then flush with clean water.

Also inspect the neoprene tubing that is attached to the nipples on the condensate management system. Replace the tubing if it appears to have internal build-up or has become brittle.

NOTE: If there is a secondary condensate management pan, maintenance will need to be performed in the same manner as explained above.

After all debris has been removed from the system, replace the cover onto the unit – being careful not to damage the wiring connecting the cover to the base.

3. **Cooling system cabinet:** The cooling system cabinet may also need to be cleaned occasionally. To clean the system cabinet, simply wipe it with a damp, lint free cloth. A mild soap solution may be used if necessary.

TROUBLE SHOOTING:

Contact Ice Qube if the air conditioning system should fail to operate satisfactorily during the first year of operation. **DO NOT** remove the cover without first notifying the factory. **Removal of the cover will immediately void the warranty.**

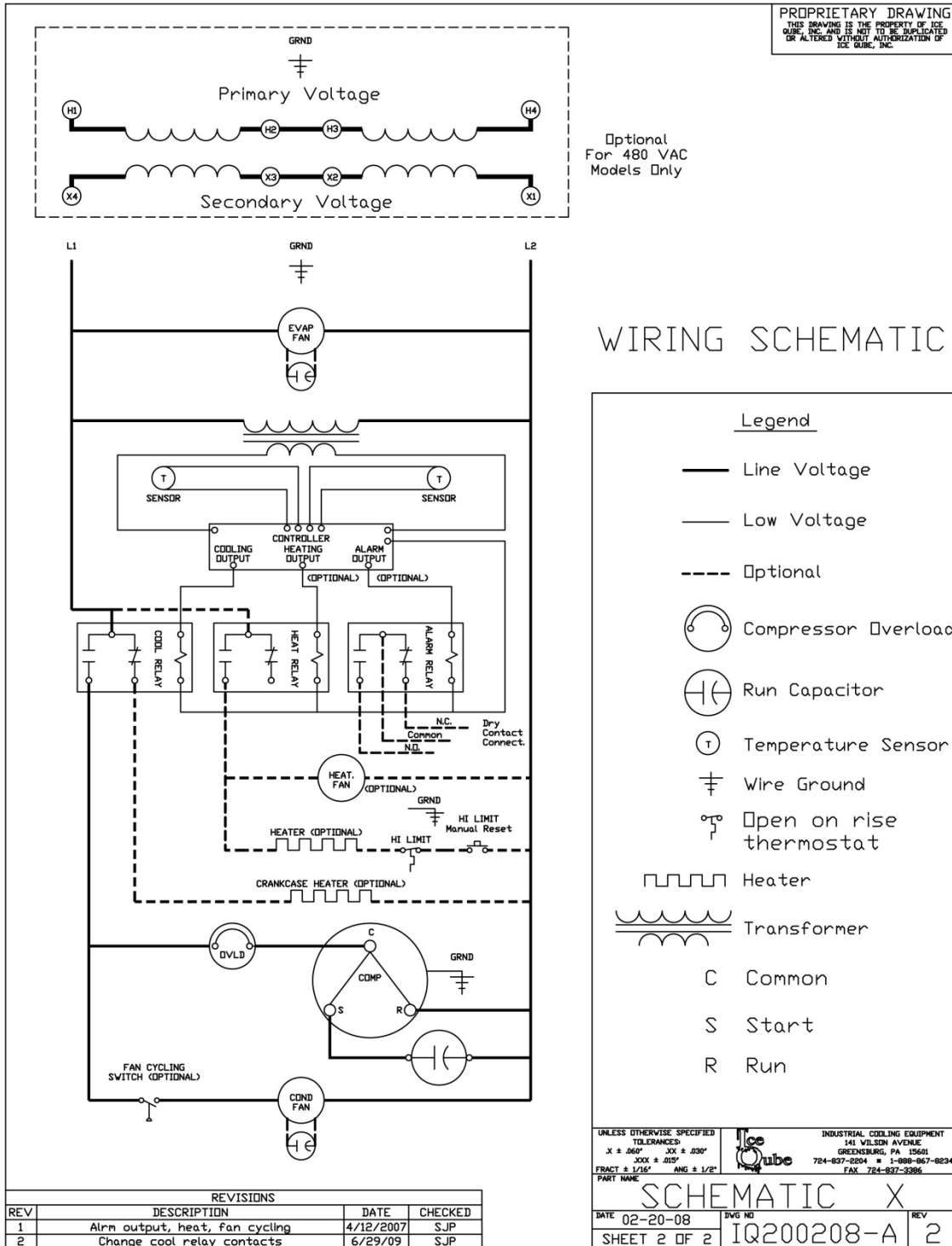
If an operating problem should occur, please review the items outlined in the following “Trouble Shooting Check List”. If the problem persists, contact Ice Qube for technical assistance.



TROUBLE SHOOTING CHECK LIST

Model No:		S/N Number:	
Voltage Rating:	Amps:	Phase:	Hz:
Is proper electrical power available at the outlet?		YES <input type="checkbox"/>	NO <input type="checkbox"/>
Is the power cord connected to the electrical supply?		YES <input type="checkbox"/>	NO <input type="checkbox"/>
Is the controller set point temperature above or below the enclosure temperature?		YES <input type="checkbox"/>	NO <input type="checkbox"/>
Is the evaporator (cold air stream) blower operating?		YES <input type="checkbox"/>	NO <input type="checkbox"/>
Is the compressor and condenser (warm air stream) blower operating?		YES <input type="checkbox"/>	NO <input type="checkbox"/>
Is the enclosure door closed tightly?		YES <input type="checkbox"/>	NO <input type="checkbox"/>
Are all of the gaskets in place?		YES <input type="checkbox"/>	NO <input type="checkbox"/>
Has the condenser (warm air stream) filter been cleaned or changed recently?		YES <input type="checkbox"/>	NO <input type="checkbox"/>
Is the system mounted level on the enclosure?		YES <input type="checkbox"/>	NO <input type="checkbox"/>
Is there adequate space within the enclosure for air flow?		YES <input type="checkbox"/>	NO <input type="checkbox"/>
Is there adequate space around the enclosure for air flow?		YES <input type="checkbox"/>	NO <input type="checkbox"/>
Have you recently added electronic equipment to the enclosure?		YES <input type="checkbox"/>	NO <input type="checkbox"/>

SCHEMATIC WIRING DIAGRAM – Side Mount Units



WARRANTY:

The Seller warrants to the original Buyer that the products manufactured by the Seller are free from defects in material and workmanship. If the Buyer notifies the Seller within ONE YEAR of any such defects (the "Warranty Period"), and returns the products to Seller at Buyer's sole expense, Seller shall, at its option, repair the products, or replace them with products of comparable value. In either case, the Warranty Period for the repaired or replaced products shall extend after the date of repair or replacement for a time equal to the original warranty period. If the Buyer does not notify the Seller of such defects, whether patent or latent, within the Warranty Period, Seller shall have no further liability or obligation to the Buyer. Therefore, in no event shall Seller's liability under this warranty exceed the original purchase price of the products which are the subject of a proper notice of defects.

Excluded from this transaction are all implied warranties, including without limitation, the implied warranties of merchantability and fitness for a particular purpose or use. The express warranties set forth above are the only warranties given by Seller in this transaction.

In no event will Seller be liable for any incidental or consequential damages of the Buyer. The foregoing remedies are the sole and exclusive remedy of Buyer for any breach of warranty in this transaction.

6.2 DDB UNLIMITED WARRANTY

Warranty

DDB Unlimited manufactures NEMA rated weatherproof enclosures from high quality materials and warrants all enclosures for a period of (15) years from date of original purchase. This warranty covers workmanship and materials to include, but not limited to, the non-corrosive properties of the material and manufacturing defects.(WARRANTY DOES NOT COVER PRODUCTS NOT MANUFACTURED BY DDB UNLIMITED, THEY WILL HAVE THERE OWN MANUFACTURE WARRANTY)

DDB Unlimited warrants to Customer that DDB Unlimited manufactured products sold to Customer pursuant to this Contract will be free from defects in material and workmanship, will conform to DDB Unlimited's specifications or to Customer's specifications where agreed to in writing for a period of 15 years from the date of shipment to Customer, provided that:

- A. DDB Unlimited is promptly notified (within the warranty period) of any warranty claim; and
- B. The goods and merchandise are returned to DDB Unlimited, freight prepaid, after Customer has received a return merchandise authorization number from DDB Unlimited; and
- C. DDB Unlimited's examination of such items shall disclose to its reasonable satisfaction that the claimed defect in the DDB Unlimited manufactured product was not caused by abuse, improper handling, installation, unauthorized repair, alteration or accident. Modification of DDB Unlimited manufactured product by Customer, or at Customer's direction, shall invalidate the above warranty.

DDB Unlimited's liability under this warranty is limited to repairing, replacing or issuing a credit in the amount of the unit contract price, at its election, for any such claim. Any repair or replacement shall not extend the warranty period.

Discoloration of DDB Unlimited manufactured products from metal oxidization and/or severe/normal environmental atmospheric conditions due to exposure over a period of time is normal /anticipated and is not covered by this warranty.

This warranty is extended to Customer only and is not transferable to subsequent purchasers or users of goods and merchandise. This warranty is given in lieu of all other warranties, express or implied, including implied warranties of merchantability and fitness for a particular purpose.

