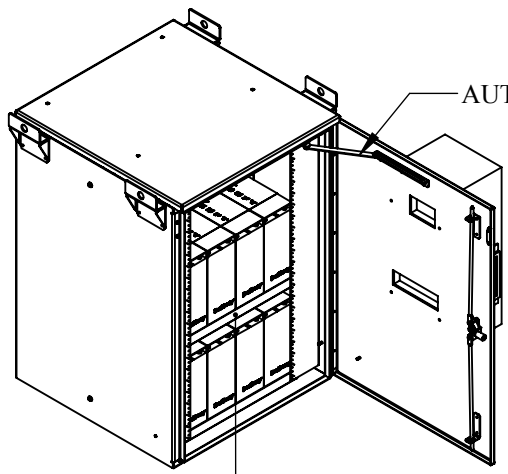


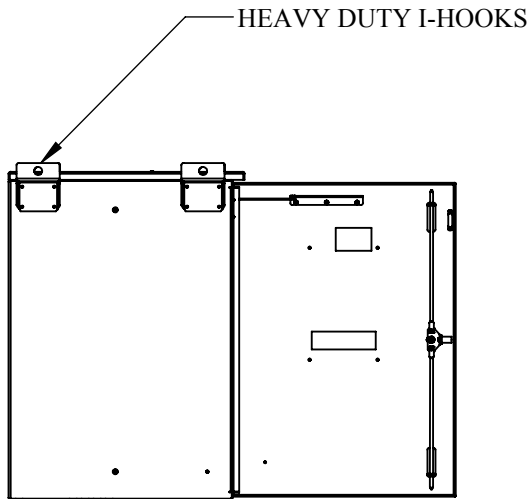
PROTOTYPE  
 D  
 C  
 B  
 A  
 DDB FORM: 7.1-2-REV.C  
 09/07/11

PROTOTYPE  
 D  
 C  
 B  
 A  
 PROPRIETARY AND CONFIDENTIAL  
 THE INFORMATION CONTAINED IN THIS DRAWING IS THE SOLE PROPERTY OF DDB Unlimited, INC. ANY REPRODUCTION IN PART OR AS A WHOLE WITHOUT THE WRITTEN PERMISSION OF DDB Unlimited, INC. IS PROHIBITED.  
 PROTOTYPE

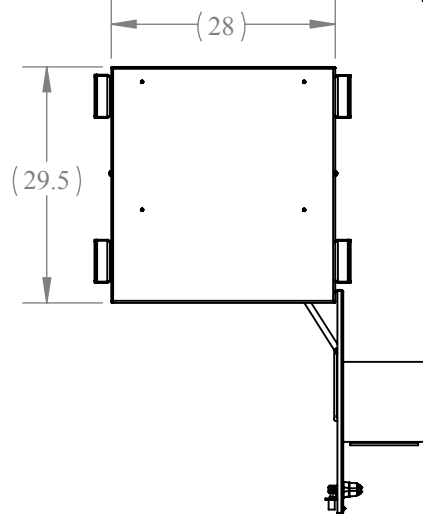


AUTO DOOR LOCK

CUSTOM BT-2117  
2X

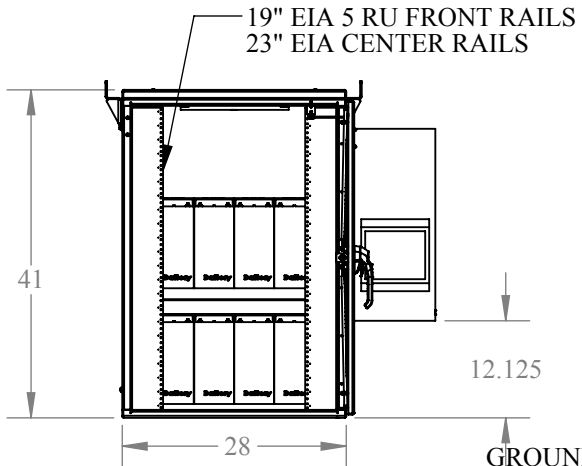


HEAVY DUTY I-HOOKS



(28)

(29.5)

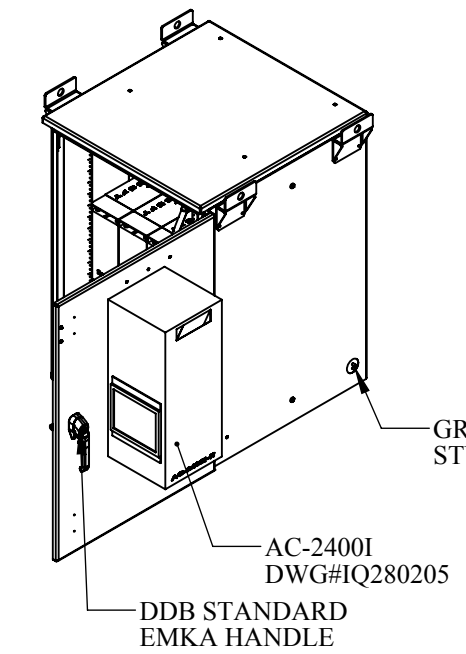


19" EIA 5 RU FRONT RAILS  
23" EIA CENTER RAILS

41

12.125

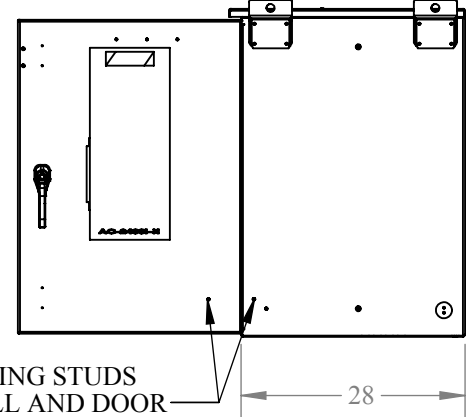
28



GROUNDING STUDS

AC-24001  
DWG#IQ280205

DDB STANDARD  
EMKA HANDLE



GROUNDING STUDS  
SIDEWALL AND DOOR

28

| REVISIONS |   |            |
|-----------|---|------------|
| REV.      | DESCRIPTION                             | DATE       |
| A         | CREATED DRAWING PER DUSTIN AND DR-00623 | 11/21/2012 |

NOTES: UNLESS OTHERWISE SPECIFIED

- DIMENSIONS AND TOLERANCES ARE IN ACCORDANCE WITH ASME Y14.5M
- DIMENSIONS ARE IN INCHES, UNLESS OTHERWISE SPECIFIED
- THIS IS A SUPPLEMENTAL DRAWING AND MAY NOT BE FULLY DIMENSIONED.
- THE NOTES, TOLERANCES, AND SPECIAL INSTRUCTIONS ARE TO BE USED ALONG WITH THE LATEST REVISION OF THE SOLID DATABASE. THE PART OR ASSEMBLY IS TO BE CONTROLLED PER THE ELECTRONIC FILE.
- SYMBOL DENOTES CRITICAL DIMENSIONS AND MUST BE INSPECTED.
- REMOVE ALL BURRS AND SHARP EDGES 0.025" MAX RADIUS OR CHAMFER
- DO NOT DEBURR PRESS FIT HOLES
- DIMENSIONS SHALL APPLY AFTER ALODINE, PAINT, FINISH, OR COAT IS APPLIED
- INSTALL PRESS FIT STANDOFFS, STUDS, AND NUTS IN ACCORDANCE WITH THE MANUFACTURER'S SPECIFICATIONS.
- IDENTIFY PART WITH PART NUMBER, REVISION LETTER AND SERIAL NUMBER
- FINISHED PART TO BE FREE OF OILS, LUBRICANTS, AND OTHER CONTAMINANTS
- TOLERANCES, UNLESS OTHERWISE SPECIFIED:
  - HOLE SIZE: +/- 0.003"
  - HOLE TO HOLE: +/- 0.005"
  - HOLE TO EDGE: +/- 0.010"
  - HOLE TO FOLD: +/- 0.015"
  - FOLD TO FOLD: +/- 0.020"



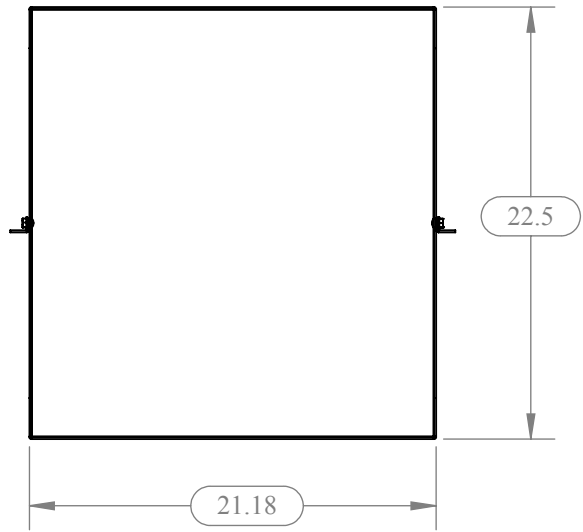
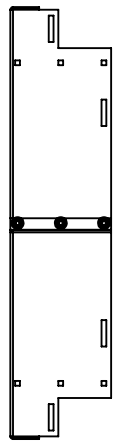
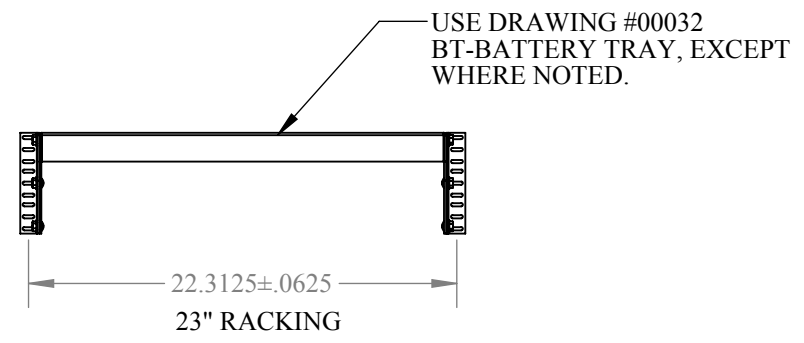
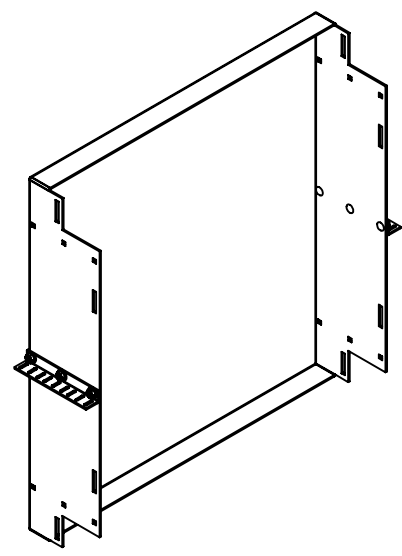
UNLESS OTHERWISE SPECIFIED:  
 DIMENSIONS ARE IN INCHES  
 ANGULAR: ±1°  
 FRACTIONAL/NO DECIMAL: ±0.1250  
 ONE PLACE DECIMAL: ±0.0625  
 TWO PLACE DECIMAL: ±0.0200  
 THREE PLACE DECIMAL: ±0.0150  
 ALL HOLES: ±0.030 Ø  
 MATERIAL THICKNESS IS: 0.125"  
 MATERIAL: 5052-H32  
 PAINT: Varies  
 DO NOT SCALE DRAWING

|                 | NAME    | DATE     |
|-----------------|---------|----------|
| Model by:       | DDB     | 11/21/12 |
| Drawn by:       | MarvinS | 11/19/12 |
| Sales Rep.:     |         |          |
| Q.A. Appr.:     |         |          |
| Prod.Mgr.:      |         |          |
| Control Number: |         |          |

|                              |                           |              |
|------------------------------|---------------------------|--------------|
| <b>DDB Unlimited</b>         |                           |              |
| <b>BSOD-402829</b>           |                           |              |
| SIZE                         | Cage Code: DWG. NO.:      | REV          |
| <b>A</b>                     | <b>385Y5</b> <b>00623</b> | -            |
| SCALE: 1:24 WEIGHT: 657 lbs. |                           | SHEET 1 OF 5 |

PROTOTYPE  
D  
C  
B  
A  
DDB FORM: 7.1-2 REV: C  
03/30/12

8 PROTOTYPE 7 6 PROTOTYPE 5 4 PROTOTYPE 3 2 PROTOTYPE 1



8 PROTOTYPE 7 6 PROTOTYPE 5 4 PROTOTYPE 3 2 PROTOTYPE 1

|                                  |                      |              |
|----------------------------------|----------------------|--------------|
| <b>BT-2117</b>                   |                      |              |
| <b>Tray, Battery, Rack Mount</b> |                      |              |
| SIZE                             | Cage Code: DWG. NO.: | REV          |
| <b>A</b>                         | <b>385Y5</b> 00623   | -            |
| MATERIAL: AISI 304               | SCALE: 1:24          | WEIGHT: lbs. |
| PAINT: Varies                    | SHEET 5 OF 5         |              |

PROTOTYPE  
D  
C  
B  
A  
PROPRIETARY AND CONFIDENTIAL  
THE INFORMATION CONTAINED IN THIS DRAWING IS THE SOLE PROPERTY OF DDB Unlimited, INC. ANY REPRODUCTION IN PART OR AS A WHOLE WITHOUT THE WRITTEN PERMISSION OF DDB Unlimited, INC. IS PROHIBITED.  
PROTOTYPE