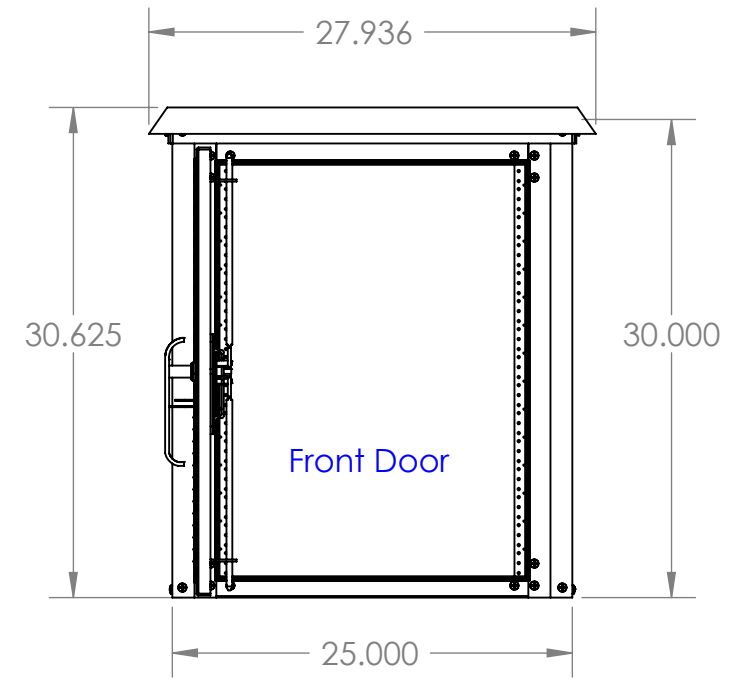
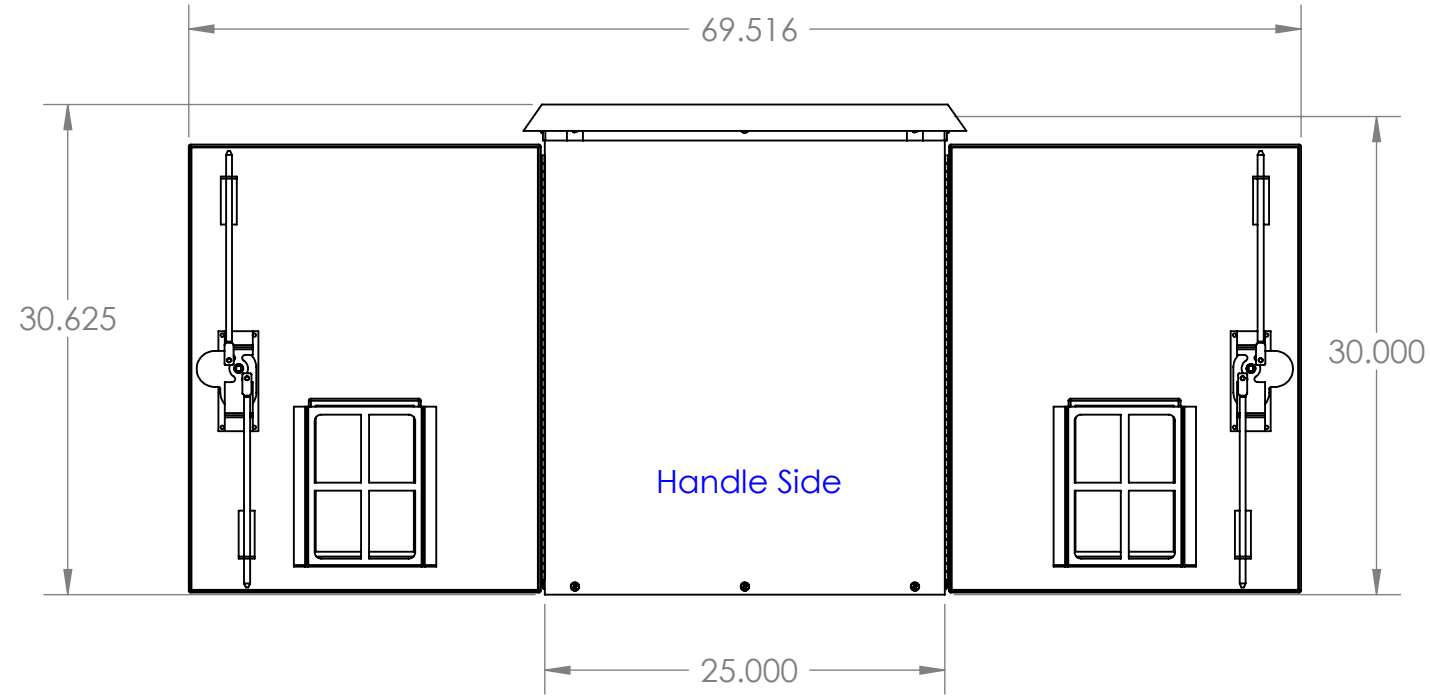


D



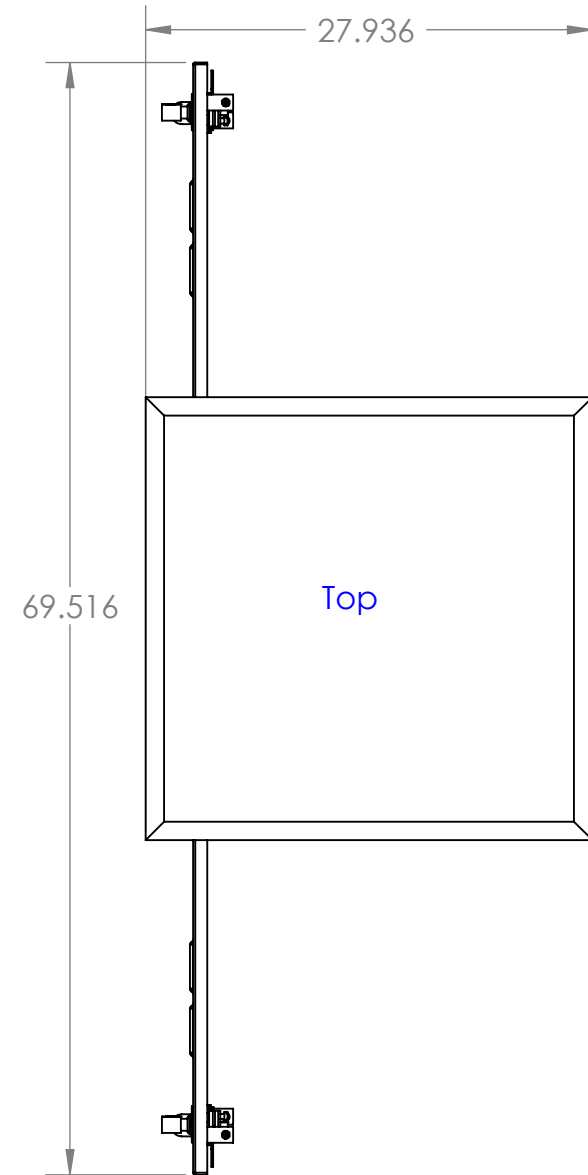
D

C

C

B

B

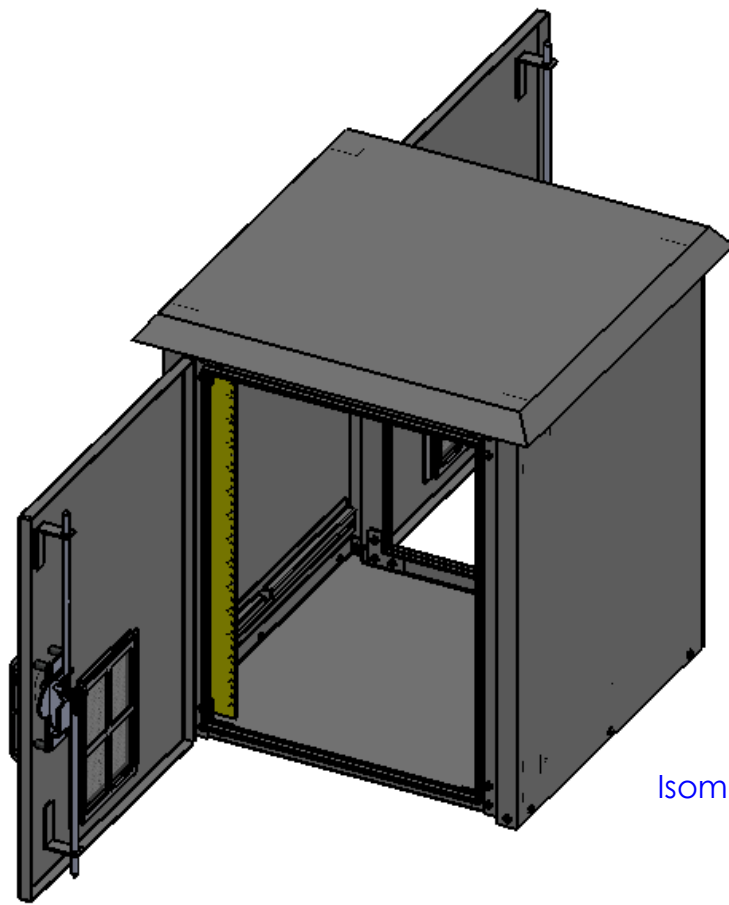


Top

The dimensions shown above and to the left of these views represent the total occupied space of the cabinet with both doors opened. The dimensions below and to the right of these views are the actual dimensions of the cabinet itself. The view shown is the "Plain Jane" versions of the cabinet without any added accessories.
 Accesories will alter the total space or the weight of the cabinet. The weight identified in the legend represents the raw weight of the cabinet.

A

A



Isometric View

PROPRIETARY AND CONFIDENTIAL:
 THE INFORMATION CONTAINED IN THIS DRAWING IS THE SOLE PROPERTY OF DDB Unlimited, INC. ANY REPRODUCTION IN PART OR AS A WHOLE WITHOUT THE WRITTEN PERMISSION OF DDB Unlimited, INC. IS PROHIBITED.



Dimenitions:	Cabinet Unit Size:	Total Occupied Space:	UNLESS OTHERWISE SPECIFIED: DIMENSIONS ARE IN INCHES DO NOT SCALE DRAWING NOTE: All drawings are at the scale listed in legend, unless specifically identified in drawing view.	DRAWN: R. Lamson	NAME: R. Lamson	DATE: 12/12/2008
Height:	30 inches	30.63 inches	MAJOR MATERIAL: Aluminum	CHECKED:		
Width:	25 inches	27.94 inches		ENG APPR:		
Depth:	25 inches	69.52 inches		MFG APPR:		
Color:	Unpainted/Powder Baked Cream			Q&A:		
			COMMENTS:	1) Unless otherwise noted, Material Thickness is 1/8 (.125) inches thick.		

DDB Unlimited Inc.

TITLE: OD		
NEMA Rating: 4, 4X	DWG. NO. 30DX(C)	VER. 2
Scale= 1: 12	Weight: ~ 90 lbs.	Sheet: 6 of 26