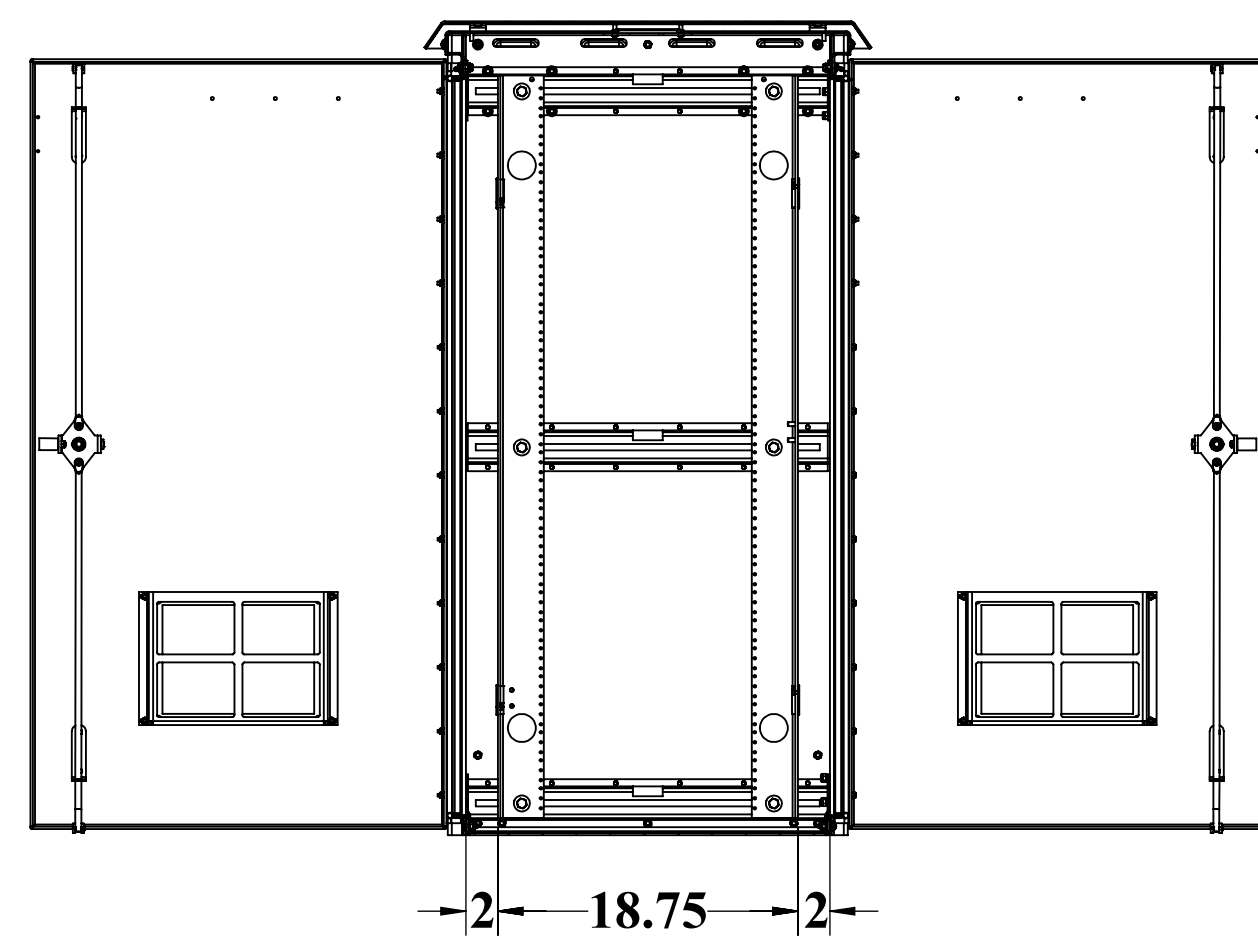
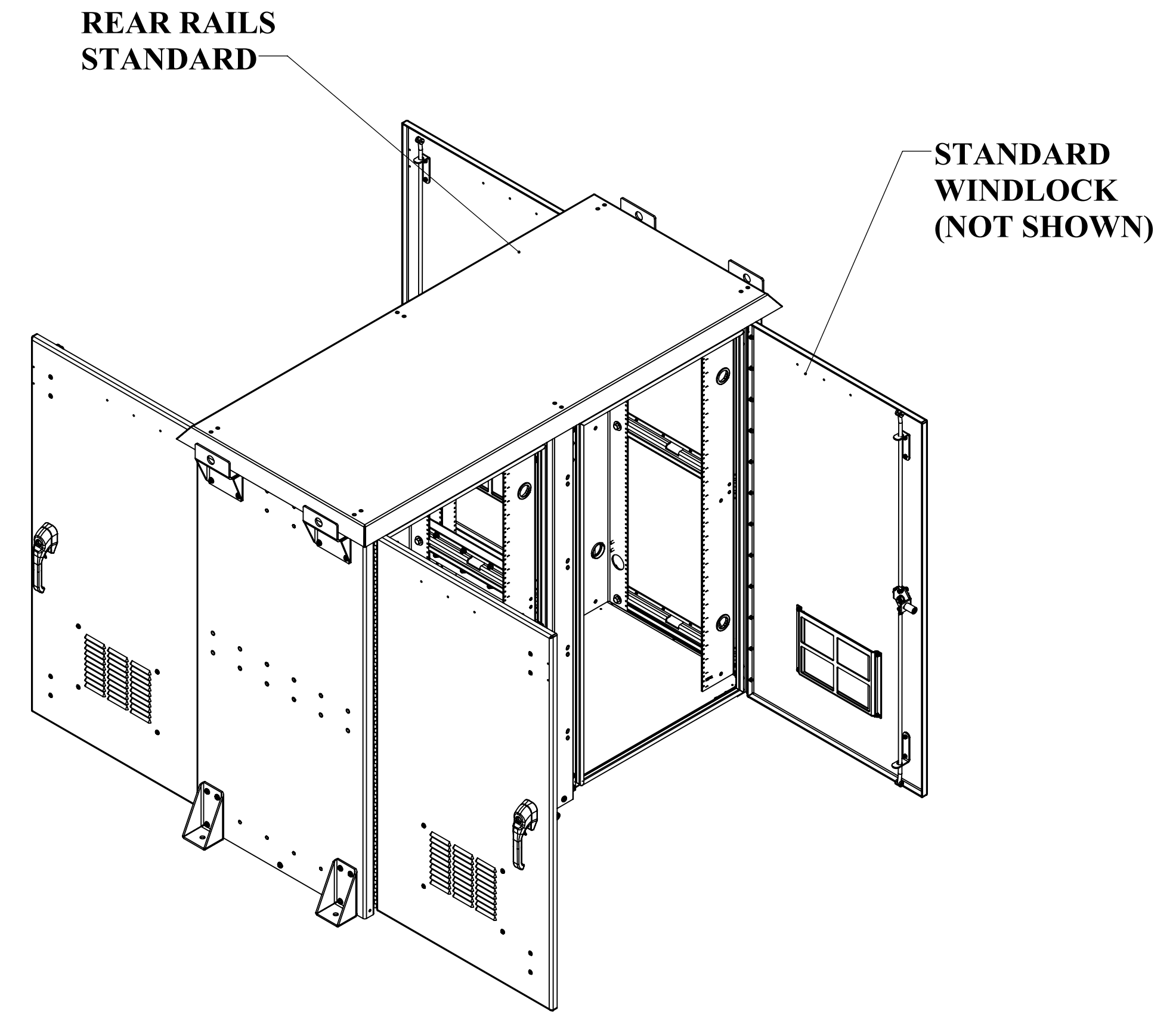
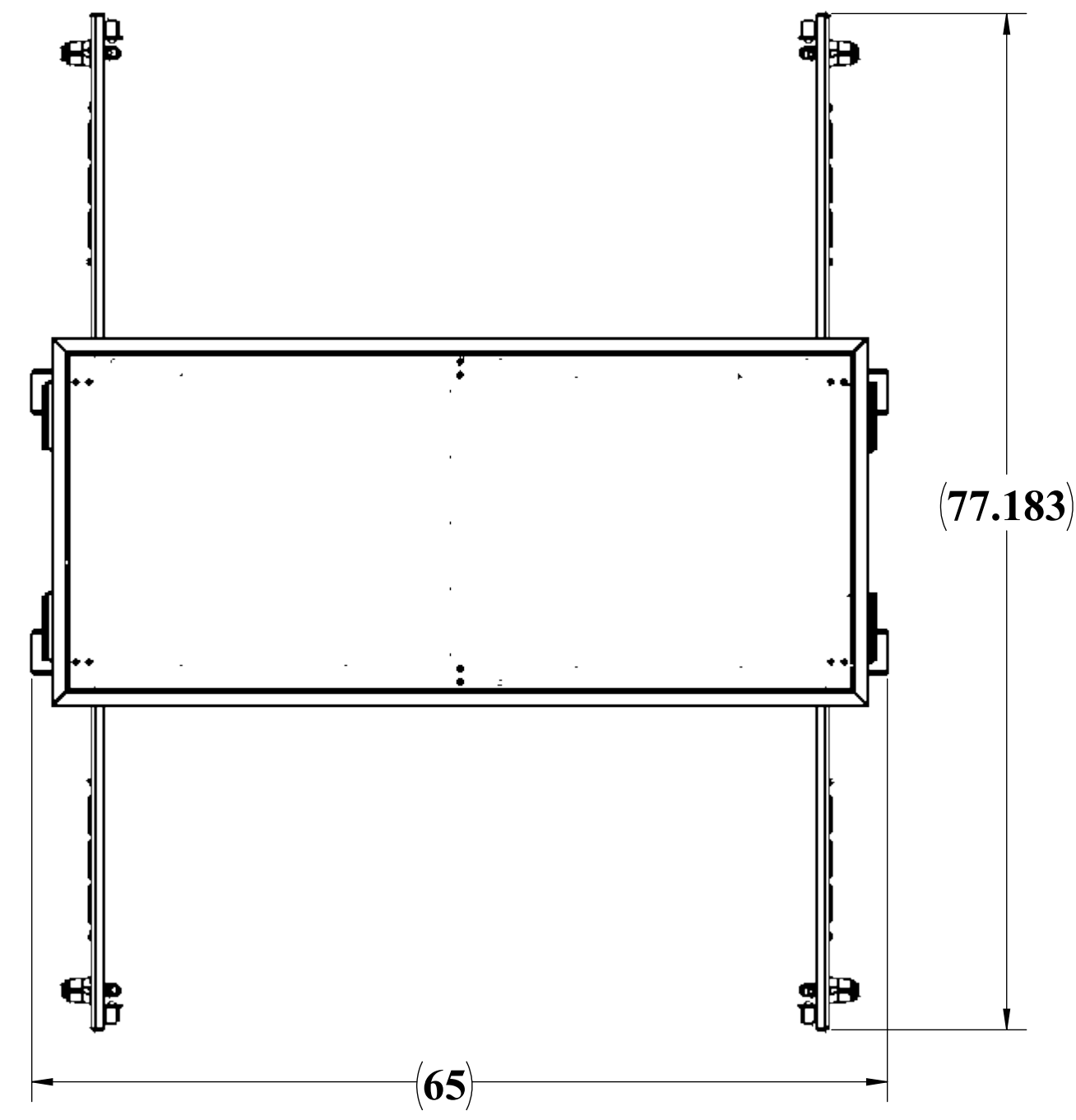
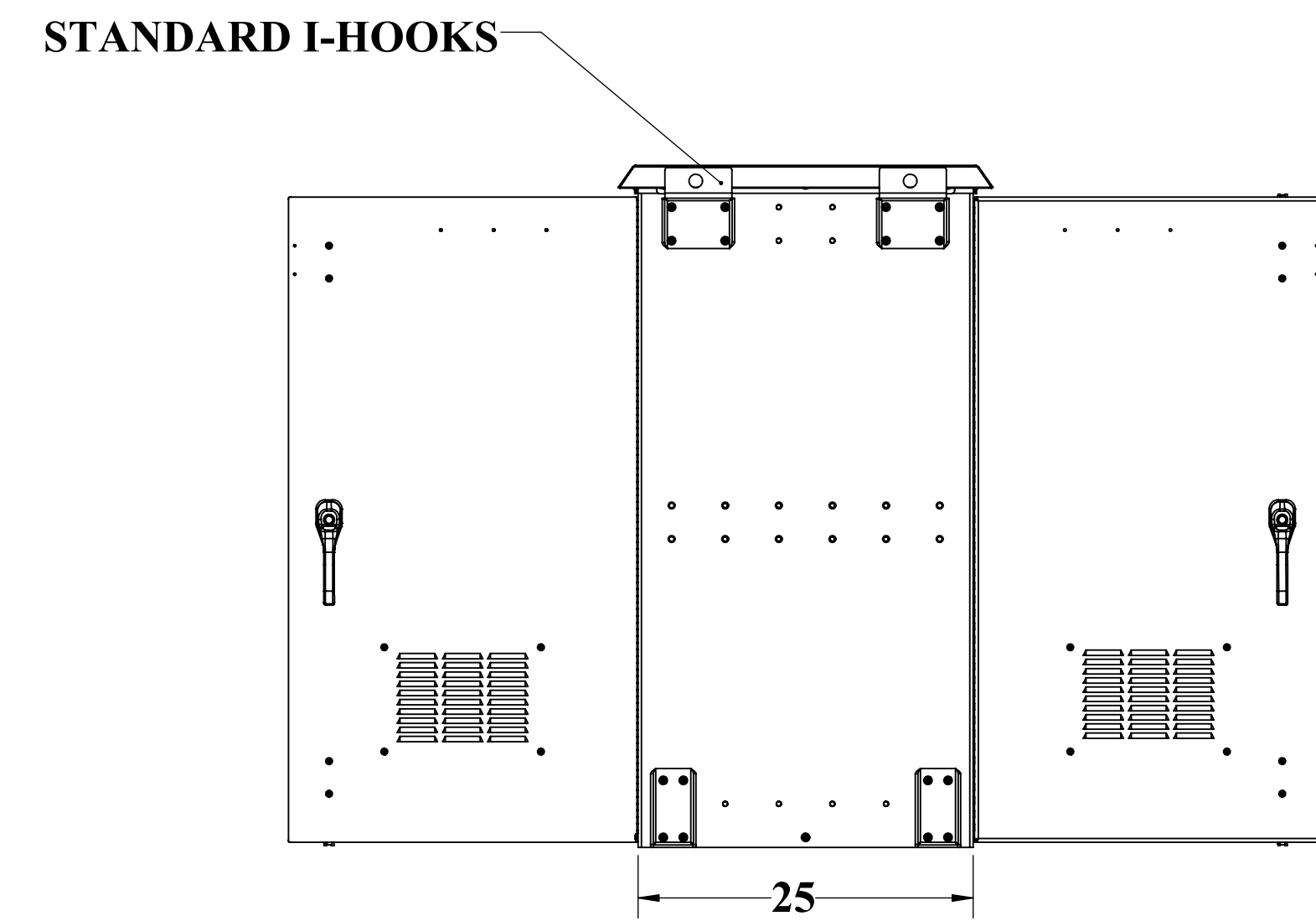
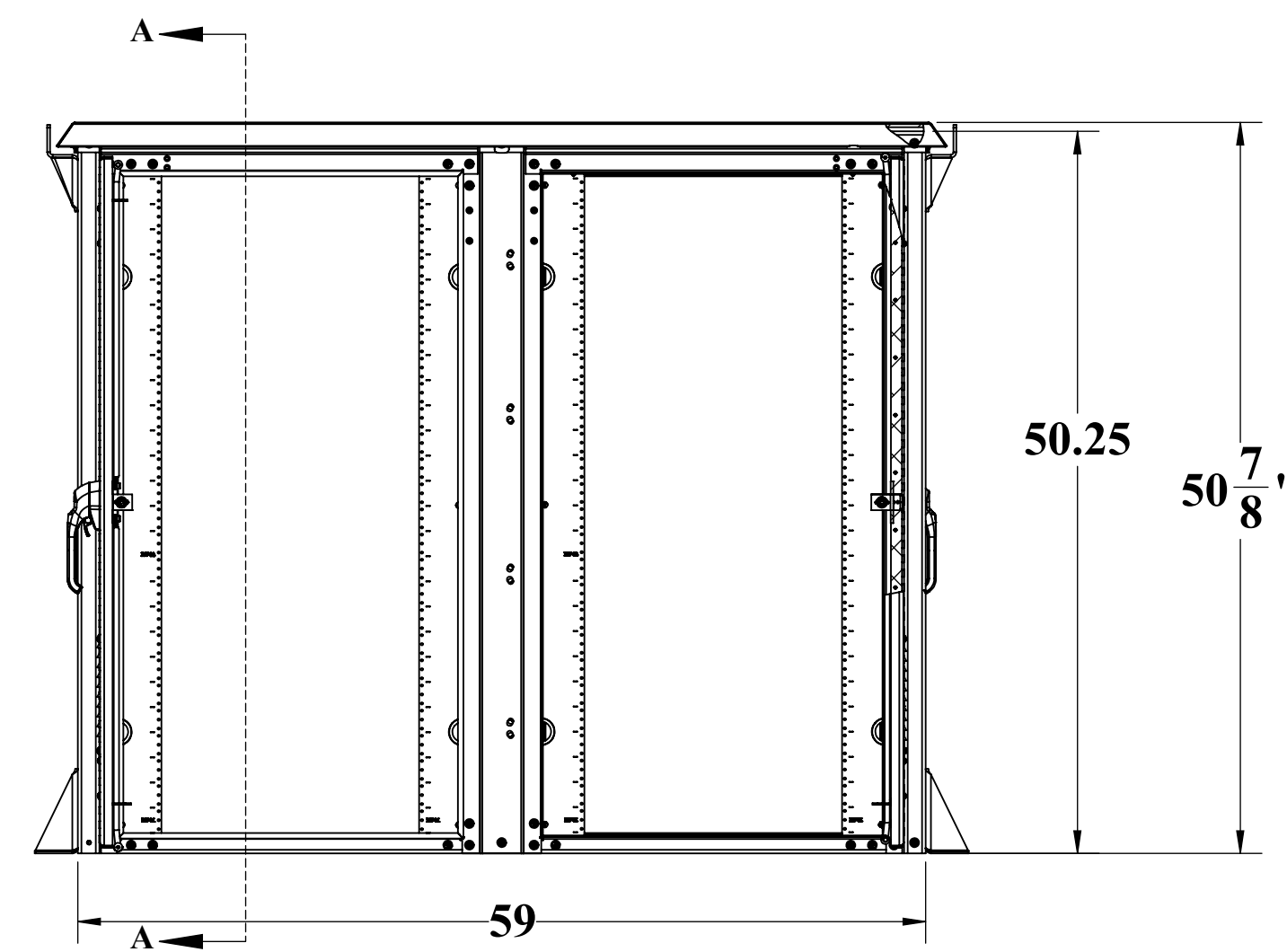


WEB DRAWING (NOT FOR FABRICATION)

REVISIONS		
REV.	DESCRIPTION	DATE
A	Initial Release per DR-00963	5/28/2014
B	UPDATED TO 2017 WEBSITE FORMAT	8/11/2017
C	UPDATED NEW FORMAT	11/18/2020



SECTION A-A
SCALE 1 : 12



WEB DRAWING (NOT FOR FABRICATION)

UNLESS OTHERWISE SPECIFIED:		NAME	DATE	DDB Unlimited Inc.				
DIMENSIONS ARE IN INCHES		Model by:	DDB	8/11/2017	20D-XXXX			
ANGULAR:	21°	Drawn by:	gerone	08/14/17	DWG, WEB, 20D, 50, DX			
FRACTIONAL/NO DECIMAL:	1/16	Sales.Rep.:	Bryan C.		SIZE	Cage Code:	DWG. NO.:	REV
ONE PLACE DECIMAL:	0.0005	Q.A.Appr.:	tray	11/20/20	D	385Y5	00963	C
TWO PLACE DECIMAL:	0.0002	Prod.Mgr.:	ClarkK	11/20/20	SCALE: 1:8	WEIGHT: 299 lbs.	SHEET 1 OF 3	
THREE PLACE DECIMAL:	0.0010							
ALL HOLES: #10MIN								
MATERIAL: 5032-H32 ASTM B209-04								
PAINT: BAMBOP VOGEL BRGE GLOSS TEXTURE ET-4308								
DO NOT SCALE DRAWING								

8

7

6

5

4

3

2

1

H

G

F

E

D

C

B

A

H

G

F

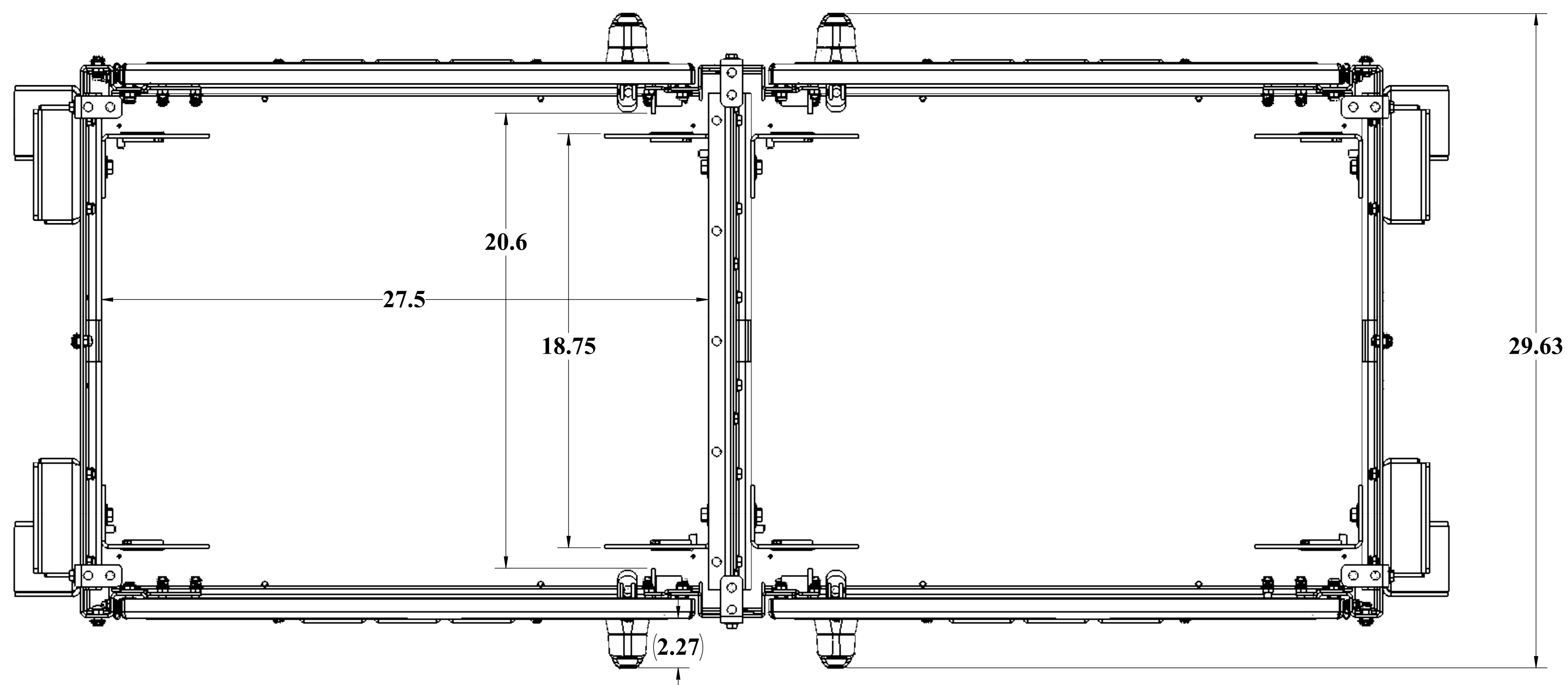
E

D

C

B

A



TOP VIEW SOLAR SHIELD AND CEILING NOT SHOWN

UNLESS OTHERWISE SPECIFIED:			
DIMENSIONS ARE IN INCHES			
ANGULAR:	±1°		
FRACTIONAL NO. DECIMAL:	±0.125		
ONE PLACE DECIMAL:	±0.0625		
TWO PLACE DECIMAL:	±0.03125		
THREE PLACE DECIMAL:	±0.015625		
ALL HOLES: ±0.0010			
MATERIAL: 5032-H32 ASTM B209-04		DDB Unlimited Inc.	
PAINT: DIAMOND VOGEL, BEIGE GLOSS TEXTURE FT-408		20D-50DX (CLOSED)	
DO NOT SCALE DRAWING			
SIZE	Cage Code:	DWG. NO.:	REV
D	385Y5	00963	C
SCALE: 1:8		WEIGHT: 299 lbs.	SHEET 2 OF 3

UNCLASSIFIED PUBLIC
 THE INFORMATION CONTAINED IN THIS DRAWING IS THE SOLE PROPERTY OF DDB Unlimited, INC. ANY REPRODUCTION IN PART OR AS A WHOLE WITHOUT THE WRITTEN PERMISSION OF DDB Unlimited, INC. IS PROHIBITED.

DDB FORM: 7.1-2-REV:K 08/02/17

8

7

6

5

4

3

2

1

H

G

F

E

D

C

B

A

H

G

F

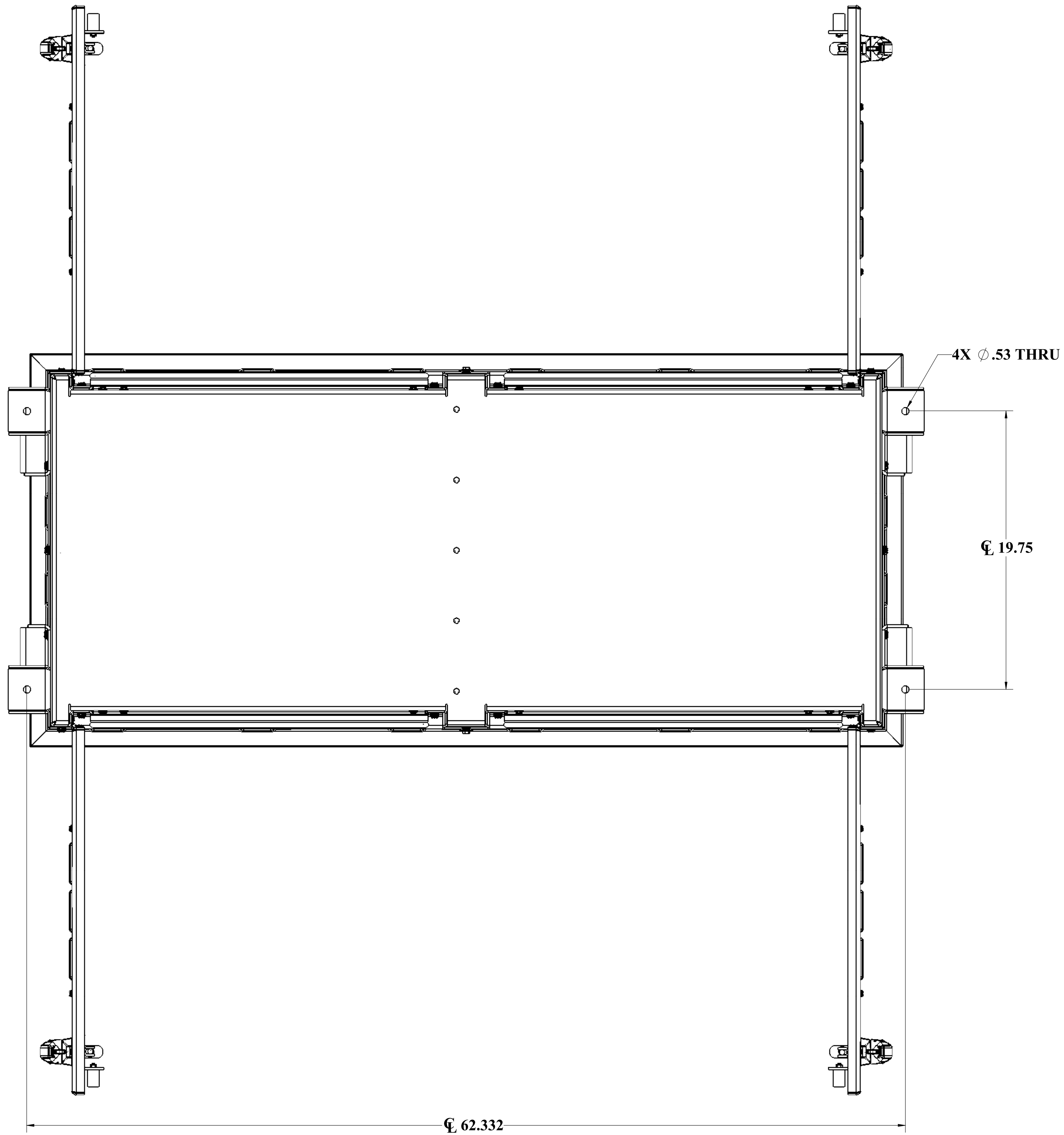
E

D

C

B

A



62.332

4X Ø.53 THRU

19.75

MOUNTING HOLES

UNLESS OTHERWISE SPECIFIED:		DDB Unlimited Inc.	
DIMENSIONS ARE IN INCHES		20D-50DX	
ANGULAR:	±1°	DWG. NO.: 00963	
FRACTIONAL NO. DECIMAL:	±0.1250	SIZE	Cage Code:
ONE PLACE DECIMAL:	±0.0625	D	385Y5
TWO PLACE DECIMAL:	±0.0313	REV C	
THREE PLACE DECIMAL:	±0.0156	SCALE: 1:8	
ALL HOLES:	±0.0010 Ø.	WEIGHT: 299 lbs.	
MATERIAL: 5032-H32 ASTM B209-04		SHEET 3 OF 3	
PAINT: DIAMOND VOGEL BEIGE GLOSS TEXTURE ET-628		DO NOT SCALE DRAWING	