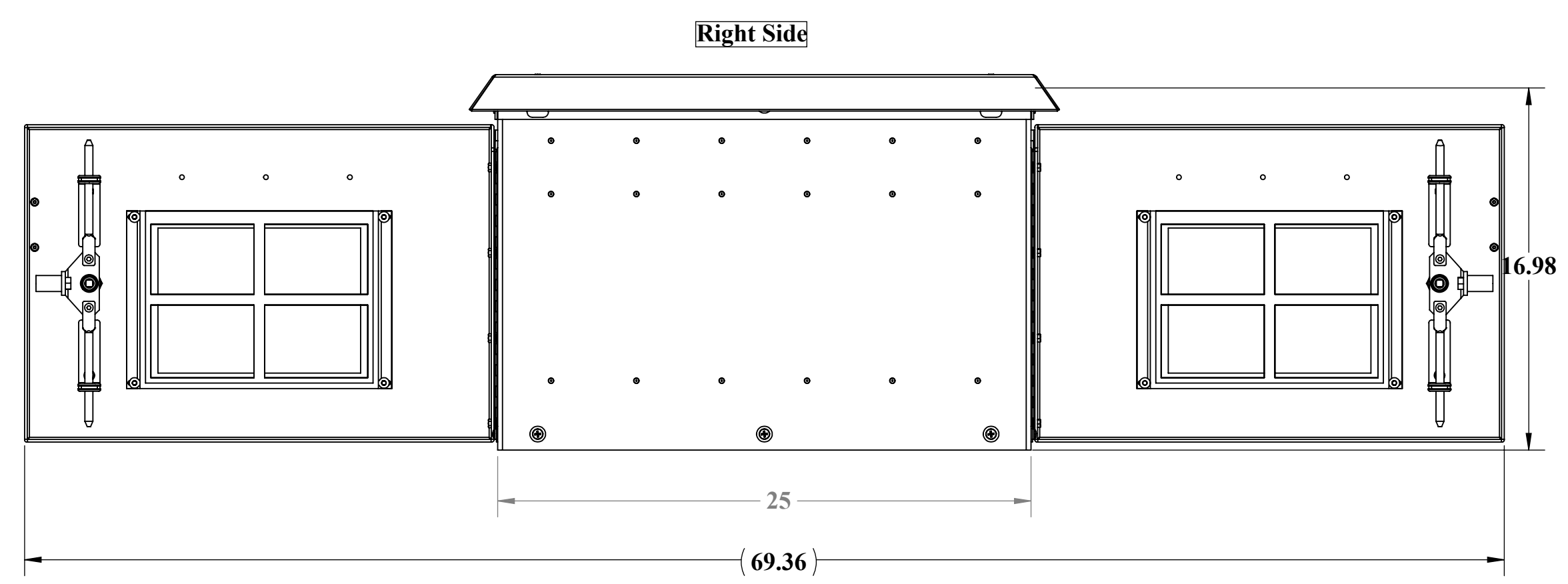
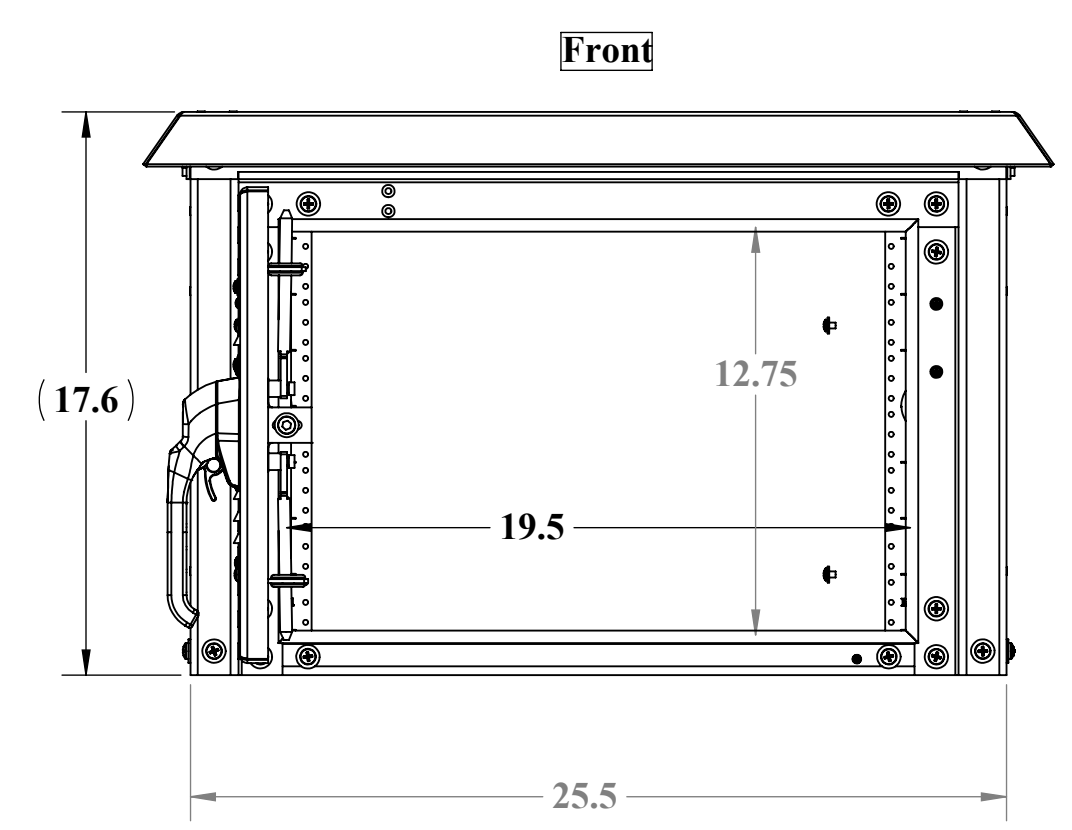
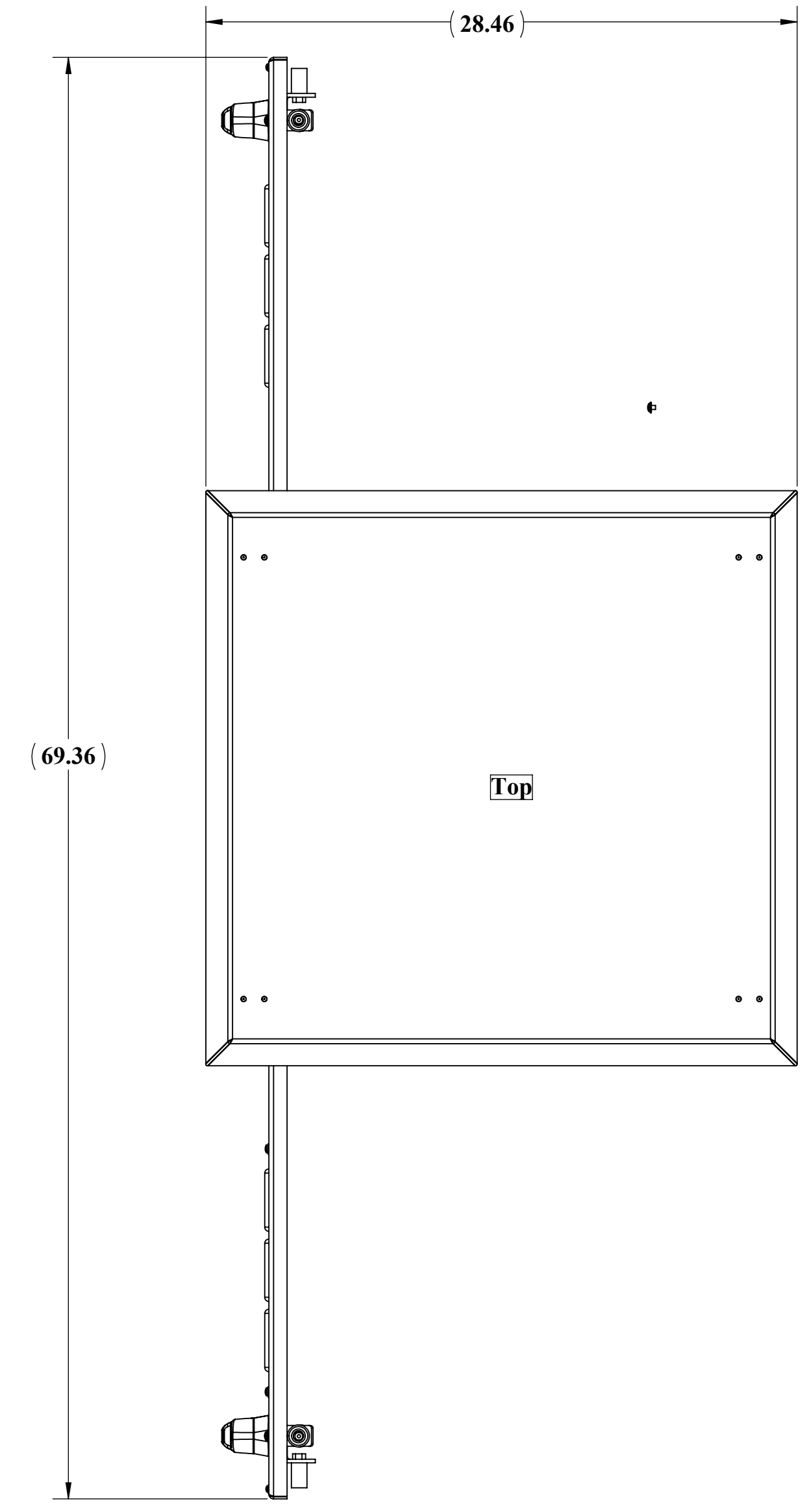


1. This is a Website Drawing. DO NOT use for fabrication.
 2. Website Drawings Created from Approved Drawings of Top Level Assembly.

For Fabrication Drawing of this enclosure see DWG #0020

REVISIONS		
REV.	DESCRIPTION	DATE
A	Web Drawing per DR-00419	11/10/2011
B	Update DWG reflecting new components and new DWG template.	4/29/2014



- NOTES: UNLESS OTHERWISE SPECIFIED**
- DIMENSIONS AND TOLERANCES ARE IN ACCORDANCE WITH ASME Y14.5M
 - DIMENSIONS ARE IN INCHES, UNLESS OTHERWISE SPECIFIED
 - THIS IS A SUPPLEMENTAL DRAWING AND MAY NOT BE FULLY DIMENSIONED. THE NOTES, TOLERANCES, AND SPECIAL INSTRUCTIONS ARE TO BE USED ALONG WITH THE LATEST REVISION OF THE SOLID DATABASE. THE PART OR ASSEMBLY IS TO BE CONTROLLED PER THE ELECTRONIC FILE
 - ALL PEM STUDS SHALL BE FHS FOR STAINLESS ENCLOSURES AND FHA FOR ALUMINUM.
 - ALL EXTERIOR WASHERS SHALL BE SEALING WASHERS
 - THE FOLLOWING WEATHER STRIPPING SHALL BE USED FOR THE FOLLOWING APPLICATIONS:
 DOOR LIP - TRIMLOCK 3100B3X1/8C
 FAN PLATES - STICKER-TITE 1/8X3/8
 ACS - STICKER-TITE 1/4X3/4
 - CUSTOM ENCLOSURES SHALL HAVE SECURITY TORX FOR ALL EXTERIOR HARDWARE.
 - SYMBOL \ominus DENOTES CRITICAL DIMENSIONS AND MUST BE INSPECTED
 - REMOVE ALL BURRS AND SHARP EDGES 0.025" MAX RADIUS OR CHAMFER
 - DO NOT DEBURR PRESS FIT HOLES
 - DIMENSIONS SHALL APPLY AFTER ALODINE, PAINT, FINISH, OR COAT IS APPLIED
 - INSTALL PRESS FIT STANDOFFS, STUDS, AND NUTS IN ACCORDANCE WITH THE MANUFACTURER'S SPECIFICATIONS.
 - ALL OPEN HOLES SHALL BE POPULATED WITH APPLICABLE HARDWARE
 - IDENTIFY PART WITH PART NUMBER, REVISION LETTER AND SERIAL NUMBER
 - FINISHED PART TO BE FREE OF OILS, LUBRICANTS, AND OTHER CONTAMINANTS
 - NO NYLON LOCK NUTS TO BE USED ON ANY PEM STUDS, UNLESS OTHERWISE SPECIFIED.
 - ALL PEM STUDS WILL BE SECURED WITH EXTERNAL TOOTH WASHER AND STANDARD NUTS.
 - TOLERANCES, UNLESS OTHERWISE SPECIFIED:
 a. HOLE SIZE: +/- 0.003"
 b. HOLE TO HOLE: +/- 0.005"
 c. HOLE TO EDGE: +/- 0.010"
 d. HOLE TO FOLD: +/- 0.015"
 e. FOLD TO FOLD: +/- 0.020"

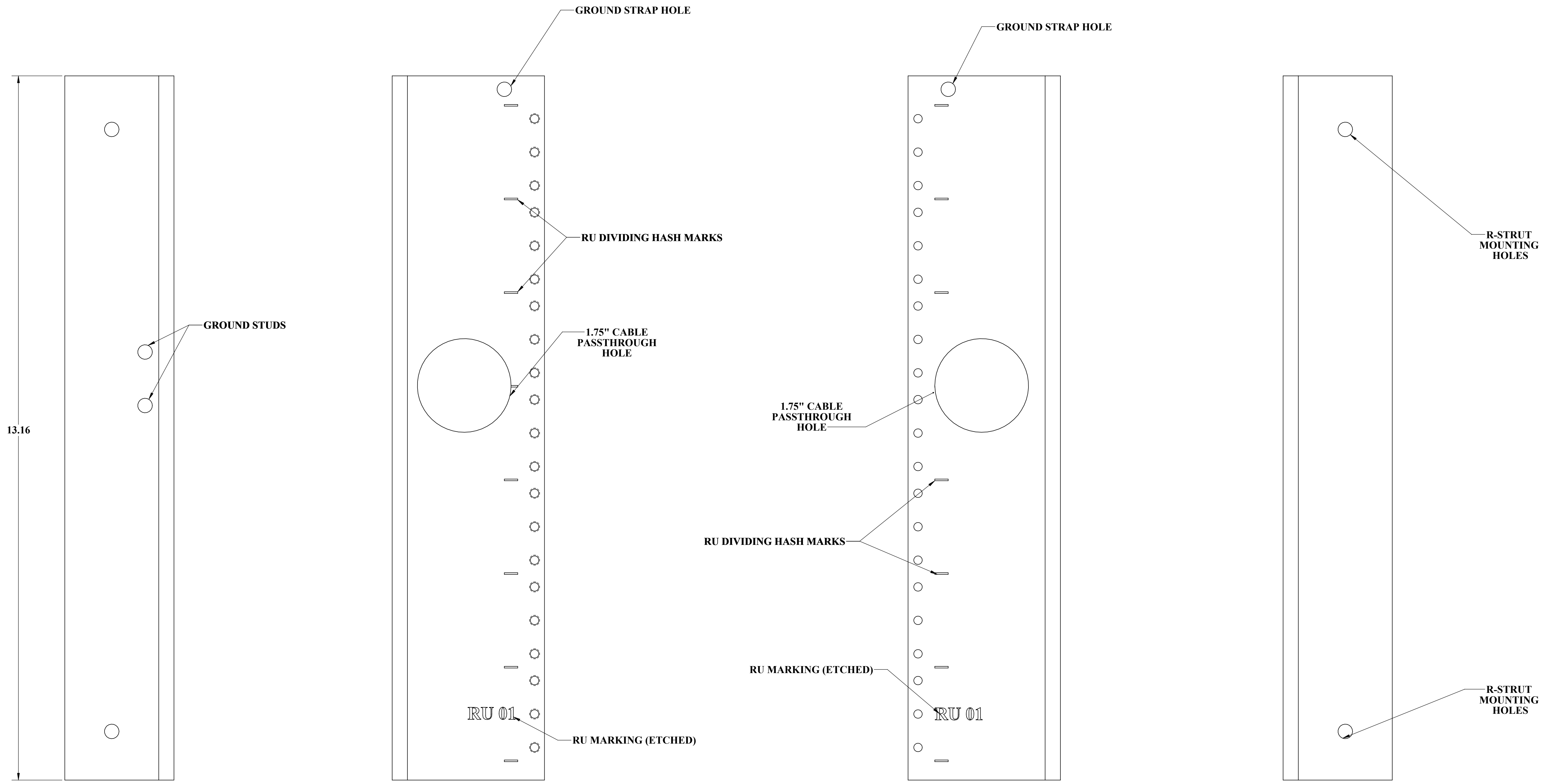


UNLESS OTHERWISE SPECIFIED:		NAME	DATE	DDB Unlimited Inc.			
DIMENSIONS ARE IN INCHES				OD-16DX			
ANGULAR:	±1°	Model by:	DDR	11/10/2011			
FRACTIONAL/NO DECIMAL:	±1/250	Drawn by:	EdwardW	04/29/14			
ONE PLACE DECIMAL:	±0.025	Sales.Rep.:	JamesS	11/15/11			
TWO PLACE DECIMAL:	±0.005	Q.A.Appr.:	SteveA	04/29/14			
THREE PLACE DECIMAL:	±0.00150	Prod.Mgr.:	ClarkK	04/29/14			
ALL HOLES: ±0.0015"				SIZE	Cage Code:	DWG. NO.:	REV
MATERIAL THICKNESS IS:	0.125"			D	385Y5	00419	B
PAINT: Varies				SCALE:	1:32	WEIGHT:	69 lbs.
DO NOT SCALE DRAWING							SHEET 1 OF 2

8 7 6 5 4 3 2 1

H
G
F
E
D
C
B
A

RAIL REFERENCE DWG#: 00034



PROPRIETARY AND CONFIDENTIAL
THE INFORMATION CONTAINED IN THIS DRAWING IS THE SOLE PROPERTY OF DDB Unlimited, INC. ANY
REPRODUCTION IN PART OR AS A WHOLE WITHOUT THE WRITTEN PERMISSION OF DDB Unlimited, INC. IS PROHIBITED.

DDB Unlimited Inc.			
R-19L-OD			
Rail, Standard, 19" EIA Racking, Left Rail, 7RU (OD-16)			
SIZE	Cage Code:	DWG. NO.:	REV
D	385Y5	00419	B
MATERIAL: Varies		SCALE: 1:32	
PAINT: Varies		WEIGHT: 1 lbs.	
DO NOT SCALE DRAWING		SHEET 2 OF 2	

DDB FORM: 7-1-2 REV.F 04/25/14