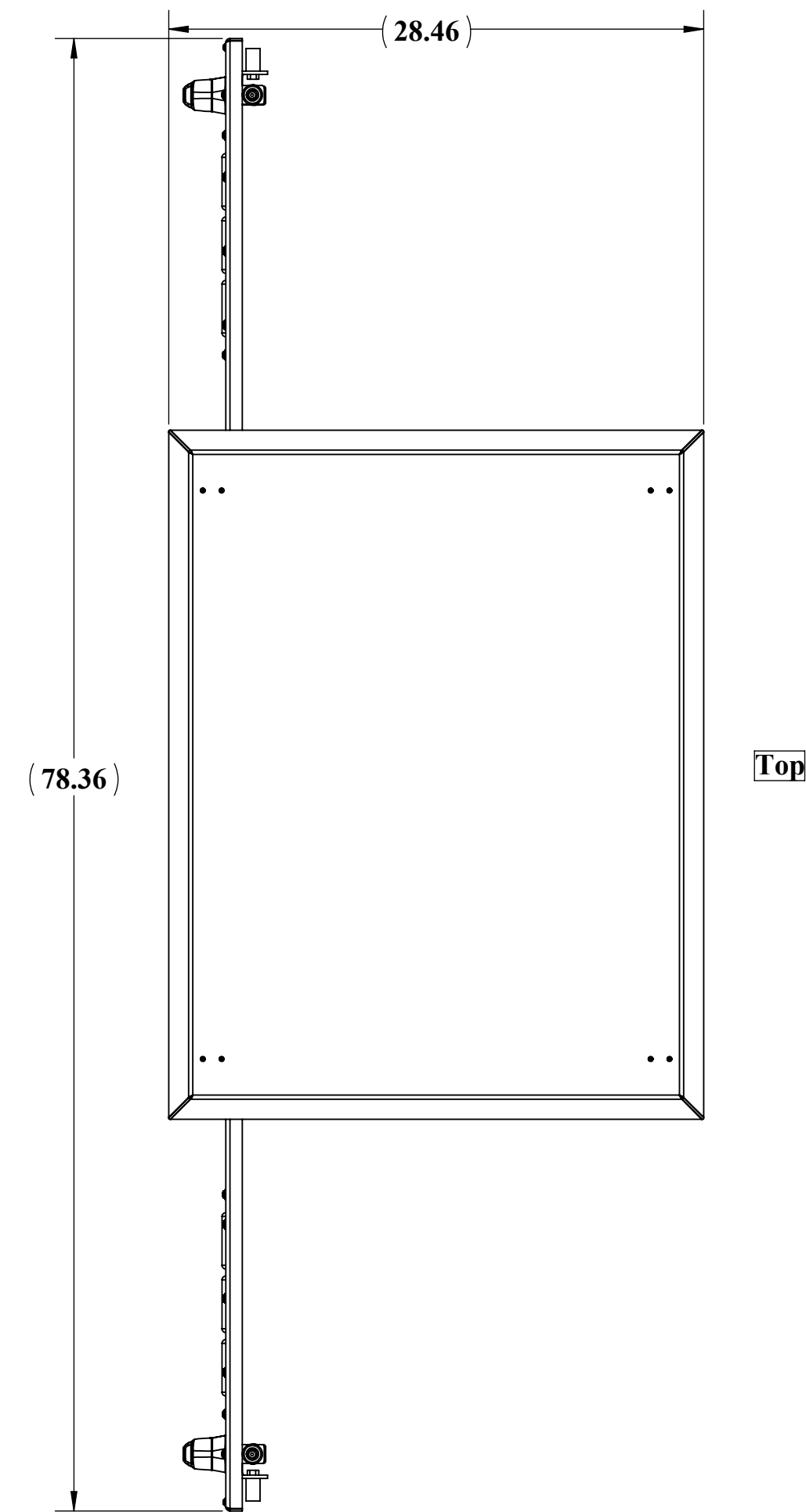


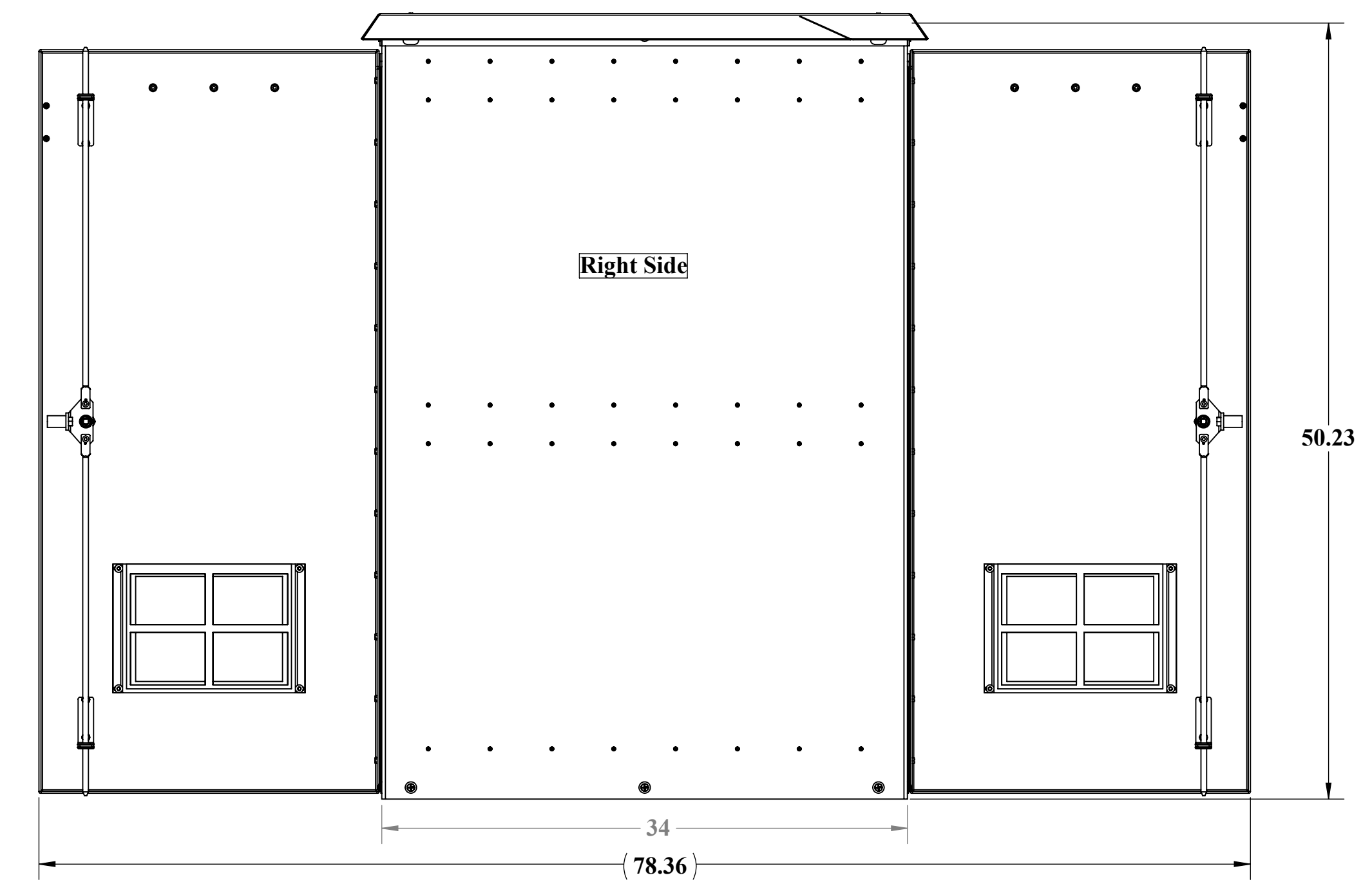
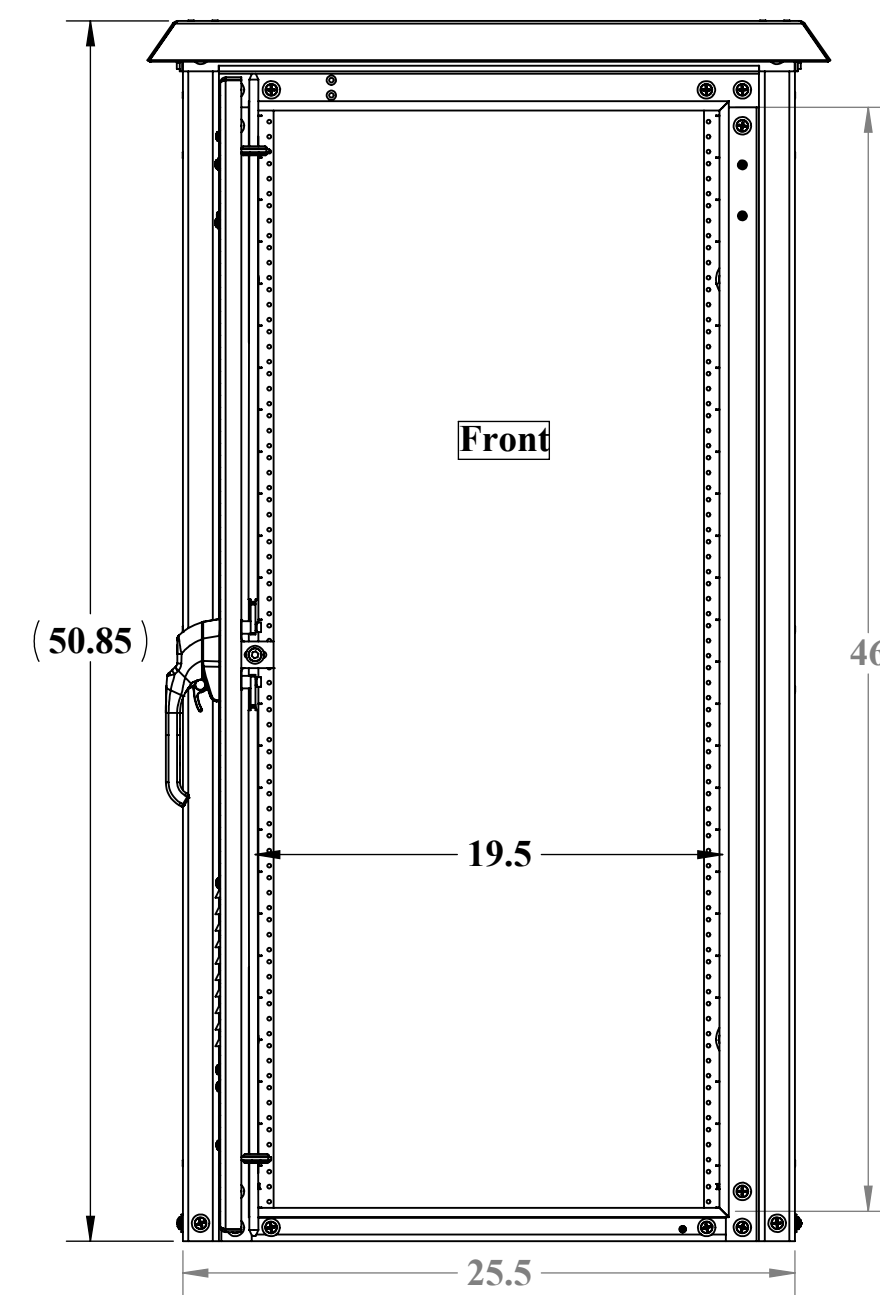
WEB DRAWING (NOT FOR FABRICATION)

For Fabrication Drawing of this enclosure see DWG #0020

1. This is a Website Drawing. DO NOT use for fabrication.
2. Website Drawings Created from Approved Drawings of Top Level Assembly.



REVISIONS		
REV.	DESCRIPTION	DATE
A	Web Drawing per DR-00425	11/15/2011
B	Add new components and DWG template to WEB DWG per DR-00921	5/12/2014



NOTES: UNLESS OTHERWISE SPECIFIED

1. DIMENSIONS AND TOLERANCES ARE IN ACCORDANCE WITH ASME Y14.5M
2. DIMENSIONS ARE IN INCHES, UNLESS OTHERWISE SPECIFIED
3. THIS IS A SUPPLEMENTAL DRAWING AND MAY NOT BE FULLY DIMENSIONED. THE NOTES, TOLERANCES, AND SPECIAL INSTRUCTIONS ARE TO BE USED ALONG WITH THE LATEST REVISION OF THE SOLID DATABASE. THE PART OR ASSEMBLY IS TO BE CONTROLLED PER THE ELECTRONIC FILE
4. ALL PEM STUDS SHALL BE FHS FOR STAINLESS ENCLOSURES AND FHA FOR ALUMINUM.
5. ALL EXTERIOR WASHERS SHALL BE SEALING WASHERS
6. THE FOLLOWING WEATHER STRIPPING SHALL BE USED FOR THE FOLLOWING APPLICATIONS:
DOOR LIP - TRIMLOCK 3100B3X1/8C
FAN PLATES - STICKER-TITE 1/8X3/8
ACS - STICKER-TITE 1/4X3/4
7. CUSTOM ENCLOSURES SHALL HAVE SECURITY TORX FOR ALL EXTERIOR HARDWARE.
8. SYMBOL DENOTES CRITICAL DIMENSIONS AND MUST BE INSPECTED
9. REMOVE ALL BURRS AND SHARP EDGES 0.025" MAX RADIUS OR CHAMFER
10. DO NOT DEBURR PRESS FIT HOLES
11. DIMENSIONS SHALL APPLY AFTER ALODINE, PAINT, FINISH, OR COAT IS APPLIED
12. INSTALL PRESS FIT STANDOFFS, STUDS, AND NUTS IN ACCORDANCE WITH THE MANUFACTURER'S SPECIFICATIONS.
13. ALL OPEN HOLES SHALL BE POPULATED WITH APPLICABLE HARDWARE
14. IDENTIFY PART WITH PART NUMBER, REVISION LETTER AND SERIAL NUMBER
15. FINISHED PART TO BE FREE OF OILS, LUBRICANTS, AND OTHER CONTAMINANTS
16. NO NYLON LOCK NUTS TO BE USED ON ANY PEM STUDS, UNLESS OTHERWISE SPECIFIED.
17. ALL PEM STUDS WILL BE SECURED WITH EXTERNAL TOOTH WASHER AND STANDARD NUTS.
18. TOLERANCES, UNLESS OTHERWISE SPECIFIED:
a. HOLE SIZE: +/- 0.003"
b. HOLE TO HOLE: +/- 0.005"
c. HOLE TO EDGE: +/- 0.010"
e. HOLE TO FOLD: +/- 0.015"
f. FOLD TO FOLD: +/- 0.020"

WEB DRAWING (NOT FOR FABRICATION)



UNLESS OTHERWISE SPECIFIED:
DIMENSIONS ARE IN INCHES
ANGULAR: 21°
FRACTIONAL/NO DECIMAL: 16/1250
ONE PLACE DECIMAL: ±0.0050
TWO PLACE DECIMAL: ±0.0020
THREE PLACE DECIMAL: ±0.0010
ALL HOLES: ±0.0008
MATERIAL THICKNESS IS: 0.125"
PAINT: Varies
DO NOT SCALE DRAWING

NAME	DATE	DDB Unlimited Inc.			
Model by: DDB	11/15/11	OD-50DD			
Drawn by: EdwardW	05/12/14	OD Series Cabinet, 50", DD, Web DWG			
Sales.Repr.: JamesS	11/16/11	SIZE	Cage Code:	DWG. NO.:	REV
QA.Appr.: ddb3ma	05/16/14	D	385Y5	00427	B
Prod.Mgr.: ClarkK	05/16/14	SCALE: 1:32	WEIGHT: 153 lbs.	SHEET 1 OF 2	

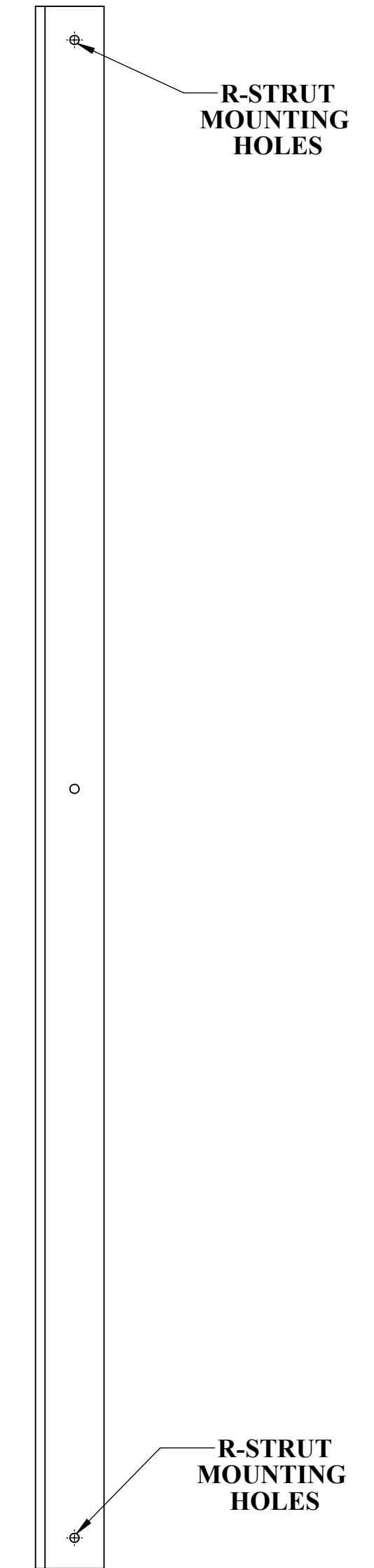
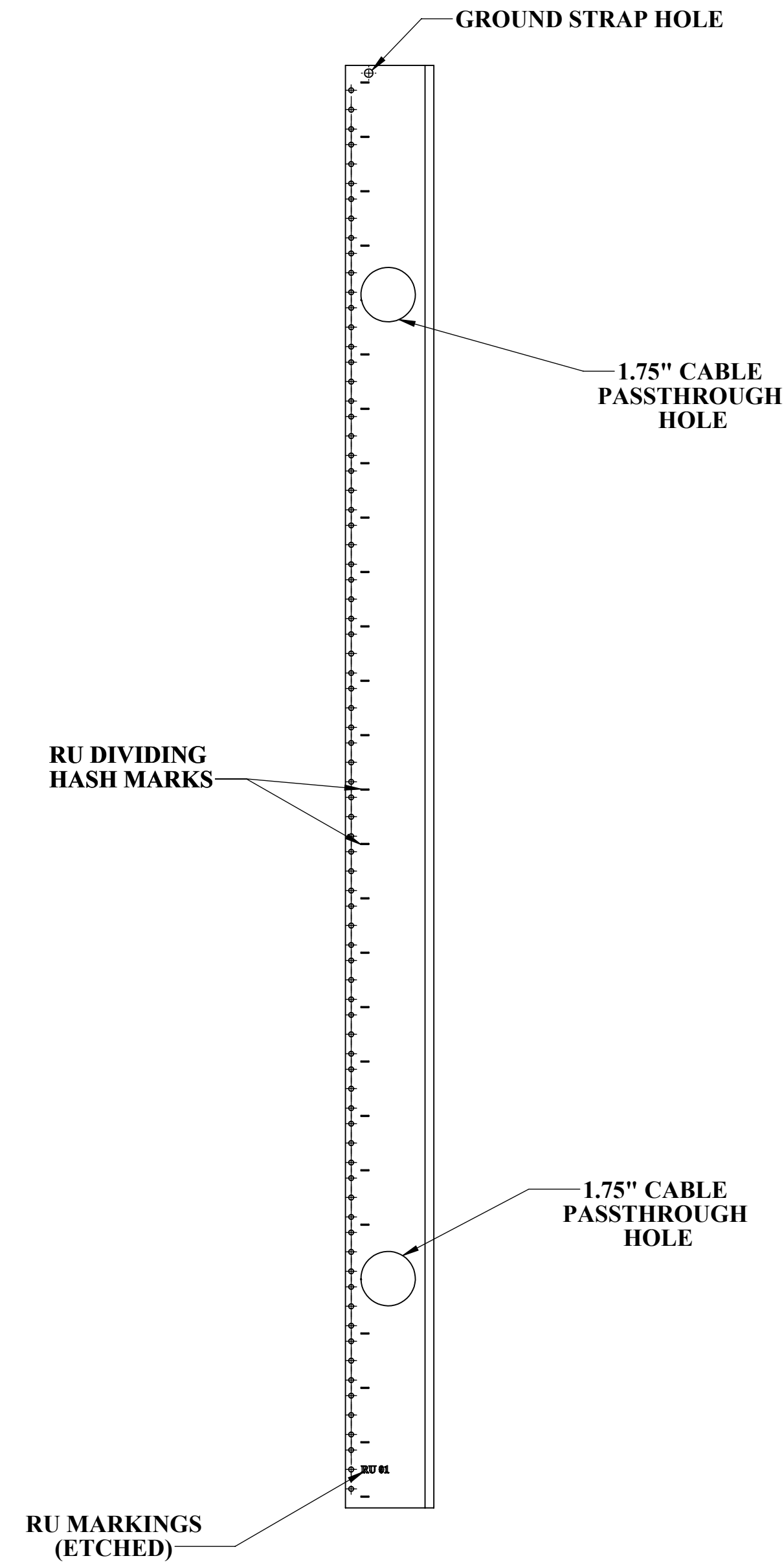
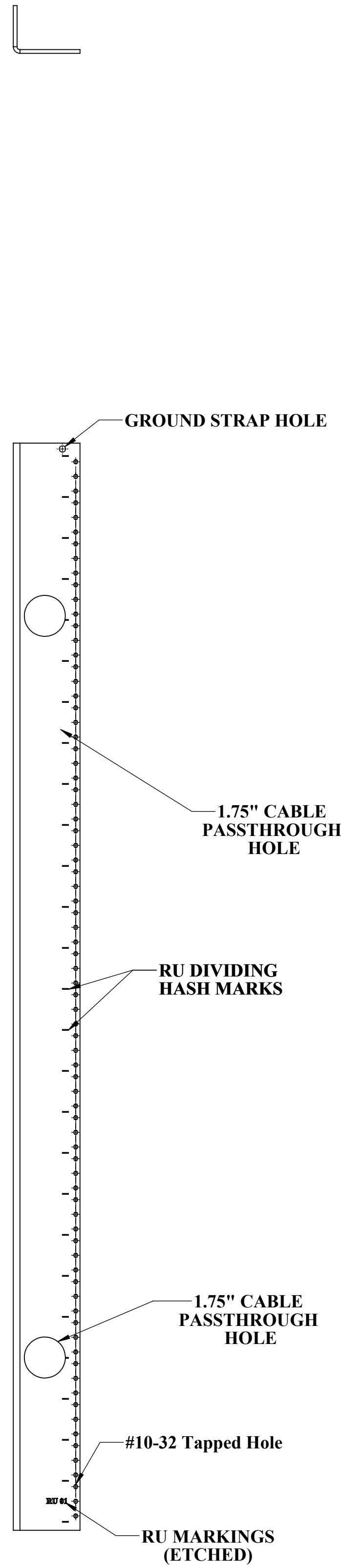
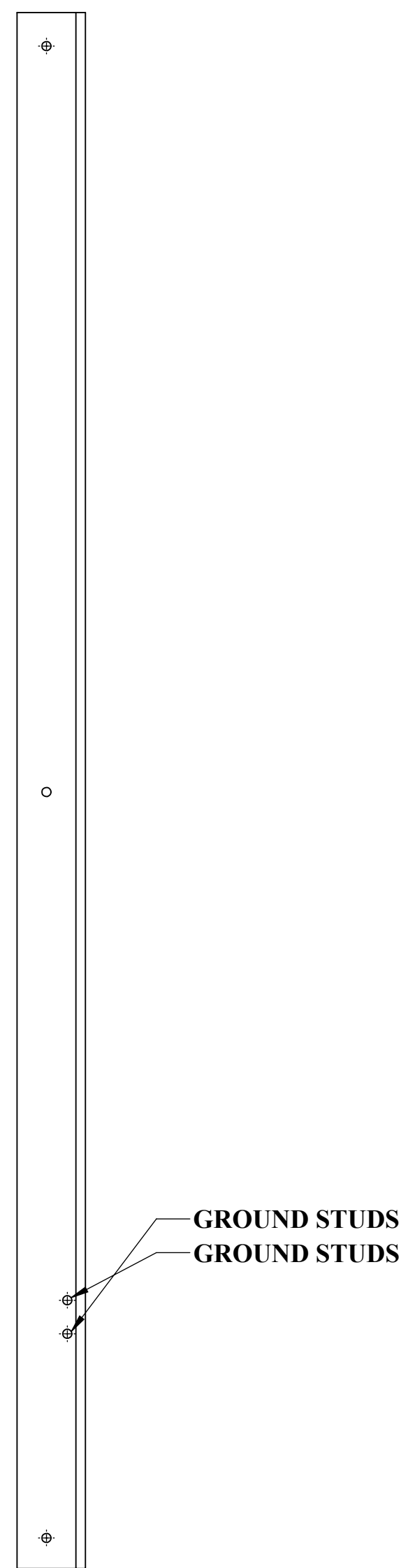
THE INFORMATION CONTAINED IN THIS DRAWING IS THE SOLE PROPERTY OF DDB Unlimited, INC. ANY REPRODUCTION IN PART OR AS A WHOLE WITHOUT THE WRITTEN PERMISSION OF DDB Unlimited, INC. IS PROHIBITED.

DDB FORM: 7-1-2 REV: E 04/25/13

8 7 6 5 4 3 2 1

H
G
F
E
D
C
B
A

FOR STANDARD RAILS, SEE DWG#: 00034



PROPRIETARY AND CONFIDENTIAL
THE INFORMATION CONTAINED IN THIS DRAWING IS THE SOLE PROPERTY OF DDB Unlimited, INC. ANY
REPRODUCTION IN PART OR AS A WHOLE WITHOUT THE WRITTEN PERMISSION OF DDB Unlimited, INC. IS PROHIBITED.

DDB Unlimited Inc.			
R-19L-OD			
Rail, Standard, 19" EIA Racking, Left Rail, 26RU (OD-50)			
SIZE	Cage Code:	DWG. NO.:	REV
D	385Y5	00427	B

MATERIAL: Varies
PAINT: Varies
DO NOT SCALE DRAWING

SCALE: 1:32 WEIGHT: 3 lbs. SHEET 2 OF 2

DDB FORM: 7-1-2 REV.F 04/25/14