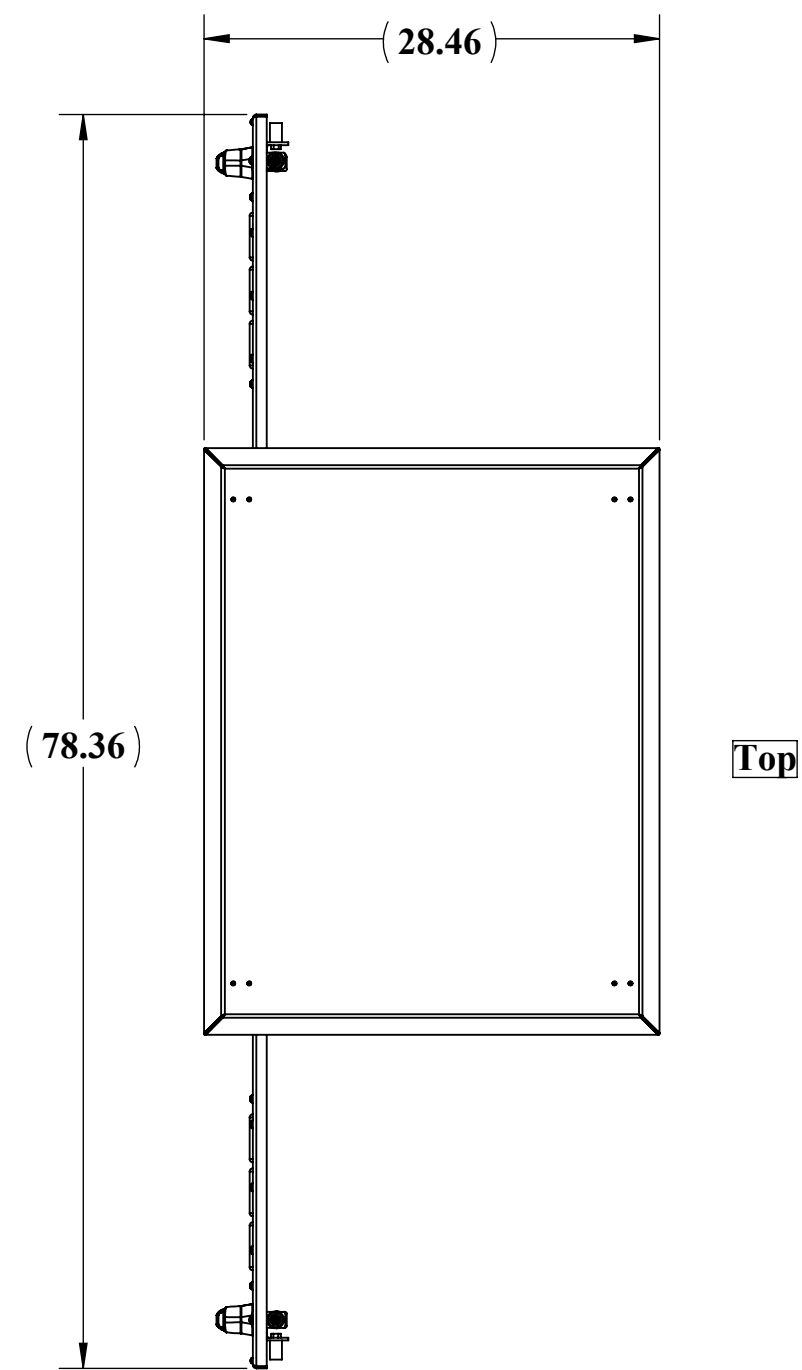


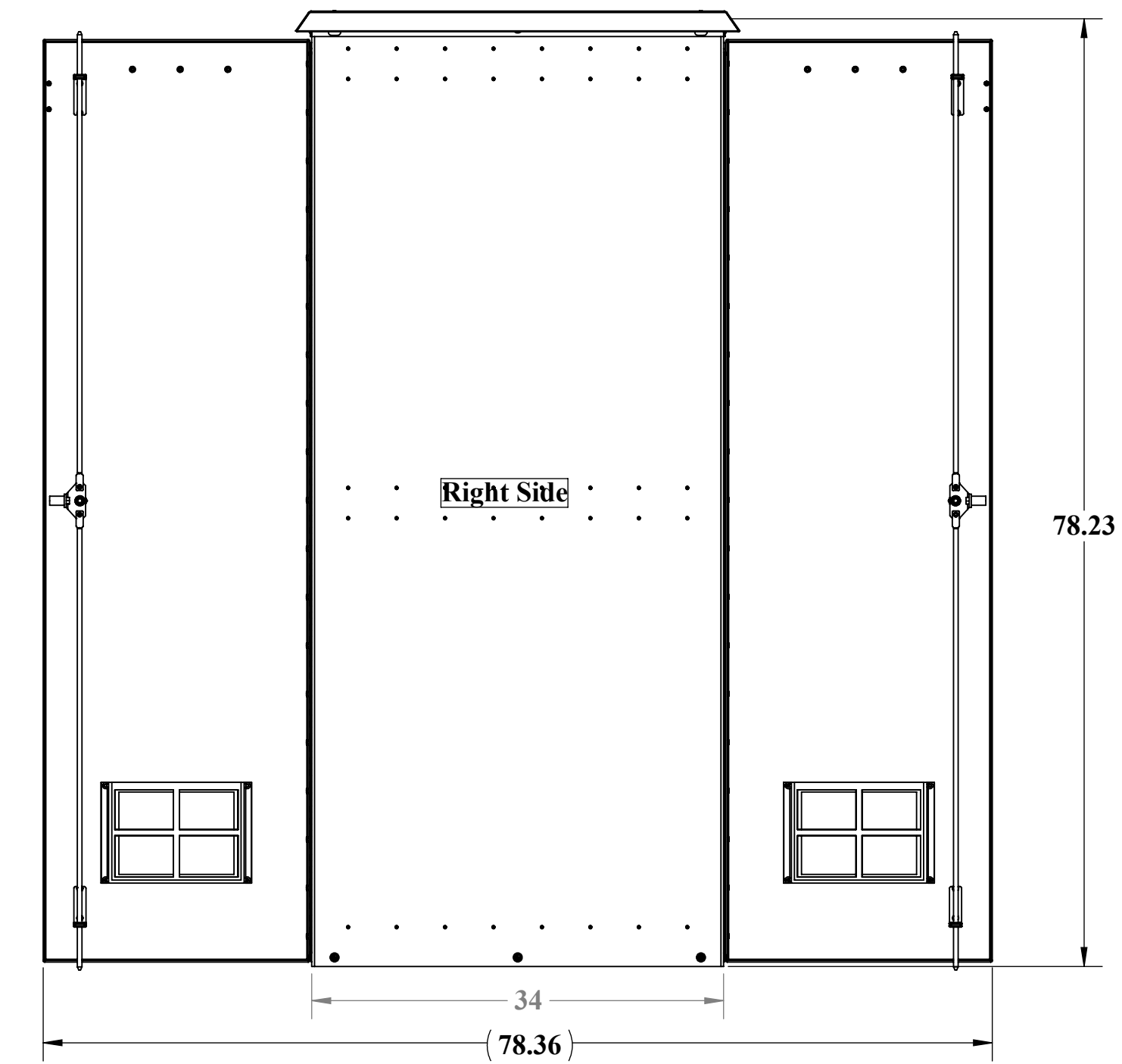
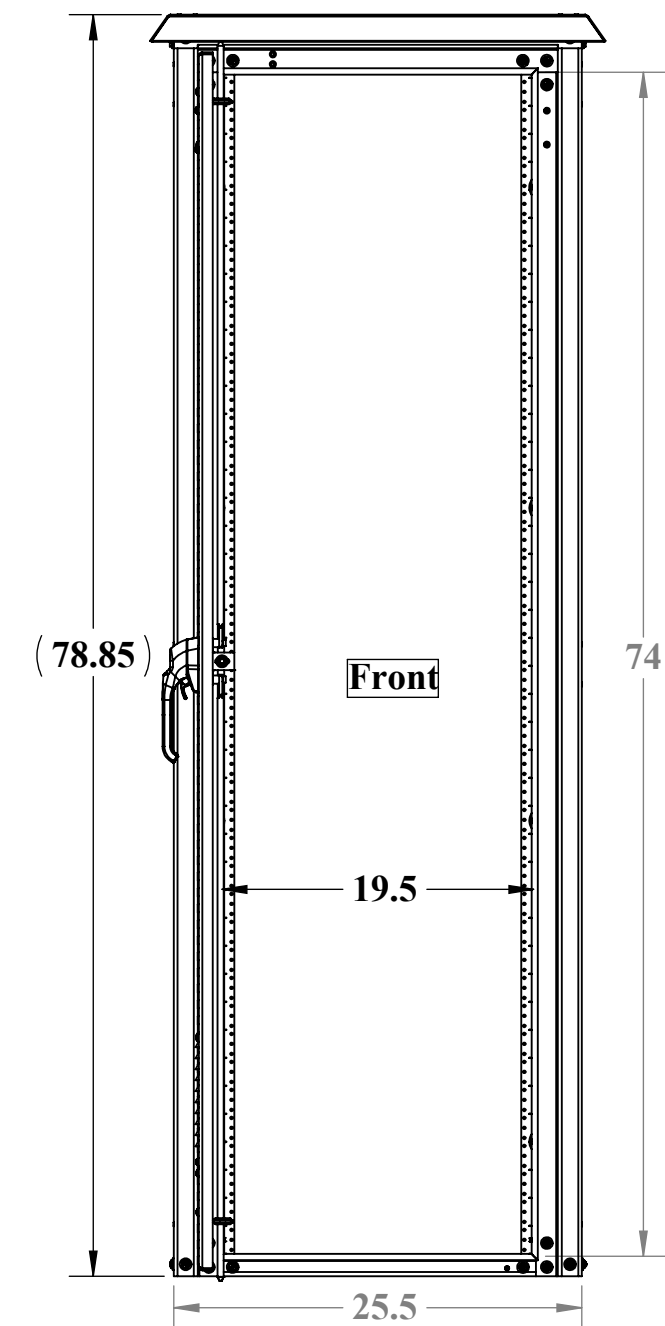
**WEB DRAWING (NOT FOR FABRICATION)**

For Fabrication Drawing of this enclosure see DWG #0020

1. This is a Website Drawing. DO NOT use for fabrication.
2. Website Drawings Created from Approved Drawings of Top Level Assembly.



REVISIONS		
REV.	DESCRIPTION	DATE
A	Web Drawing per DR-00425	11/15/2011
B	Add new components and DWG template to WEB DWG per DR-00927	5/12/2014



**NOTES: UNLESS OTHERWISE SPECIFIED**

1. DIMENSIONS AND TOLERANCES ARE IN ACCORDANCE WITH ASME Y14.5M
2. DIMENSIONS ARE IN INCHES, UNLESS OTHERWISE SPECIFIED
3. THIS IS A SUPPLEMENTAL DRAWING AND MAY NOT BE FULLY DIMENSIONED. THE NOTES, TOLERANCES, AND SPECIAL INSTRUCTIONS ARE TO BE USED ALONG WITH THE LATEST REVISION OF THE SOLID DATABASE. THE PART OR ASSEMBLY IS TO BE CONTROLLED PER THE ELECTRONIC FILE
4. ALL PEM STUDS SHALL BE FHS FOR STAINLESS ENCLOSURES AND FHA FOR ALUMINUM.
5. ALL EXTERIOR WASHERS SHALL BE SEALING WASHERS
6. THE FOLLOWING WEATHER STRIPPING SHALL BE USED FOR THE FOLLOWING APPLICATIONS:  
DOOR LIP - TRIMLOCK 3100B3X1/8C  
FAN PLATES - STICKER-TITE 1/8x3/8  
ACS - STICKER-TITE 1/4x3/4
7. CUSTOM ENCLOSURES SHALL HAVE SECURITY TORX FOR ALL EXTERIOR HARDWARE.
8. SYMBOL DENOTES CRITICAL DIMENSIONS AND MUST BE INSPECTED
9. REMOVE ALL BURRS AND SHARP EDGES 0.025" MAX RADIUS OR CHAMFER
10. DO NOT DEBURR PRESS FIT HOLES
11. DIMENSIONS SHALL APPLY AFTER ALODINE, PAINT, FINISH, OR COAT IS APPLIED
12. INSTALL PRESS FIT STANDOFFS, STUDS, AND NUTS IN ACCORDANCE WITH THE MANUFACTURER'S SPECIFICATIONS.
13. ALL OPEN HOLES SHALL BE POPULATED WITH APPLICABLE HARDWARE
14. IDENTIFY PART WITH PART NUMBER, REVISION LETTER AND SERIAL NUMBER
15. FINISHED PART TO BE FREE OF OILS, LUBRICANTS, AND OTHER CONTAMINANTS
16. NO NYLON LOCK NUTS TO BE USED ON ANY PEM STUDS, UNLESS OTHERWISE SPECIFIED.
17. ALL PEM STUDS WILL BE SECURED WITH EXTERNAL TOOTH WASHER AND STANDARD NUTS.
18. TOLERANCES, UNLESS OTHERWISE SPECIFIED:  
a. HOLE SIZE: +/- 0.003"  
b. HOLE TO HOLE: +/- 0.005"  
c. HOLE TO EDGE: +/- 0.010"  
e. HOLE TO FOLD: +/- 0.015"  
f. FOLD TO FOLD: +/- 0.020"

**WEB DRAWING (NOT FOR FABRICATION)**



UNLESS OTHERWISE SPECIFIED:  
DIMENSIONS ARE IN INCHES  
ANGULAR: 21°  
FRACTIONAL/NO DECIMAL: 1/16  
ONE PLACE DECIMAL: ±0.005  
TWO PLACE DECIMAL: ±0.002  
THREE PLACE DECIMAL: ±0.0015  
ALL HOLES: ±0.0015  
MATERIAL THICKNESS IS: 0.125"  
MATERIAL: Varies  
PAINT: Varies  
DO NOT SCALE DRAWING

NAME	DATE
Model by: DDR	5/12/2014
Drawn by: EdwardW	05/12/14
Sales.Rep.: JamesS	11/16/11
Q.A.Appr.: ddb3ma	05/16/14
Prod.Mgr.: ClarkK	05/16/14

DDB Unlimited Inc.			
OD-78DD			
OD Series Cabinet, 78", DD, Web DWG			
SIZE	Cage Code:	DWG. NO.:	REV
D	385Y5	00433	B

SCALE: 1:32 WEIGHT: 211 lbs. SHEET 1 OF 2

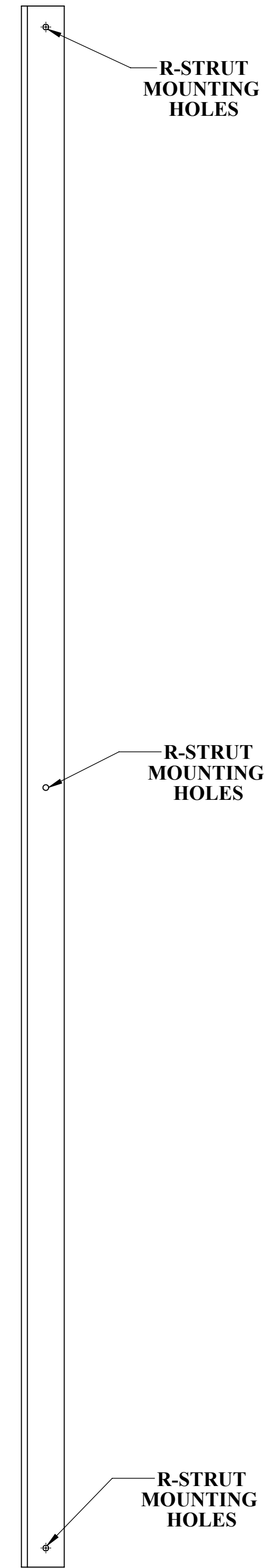
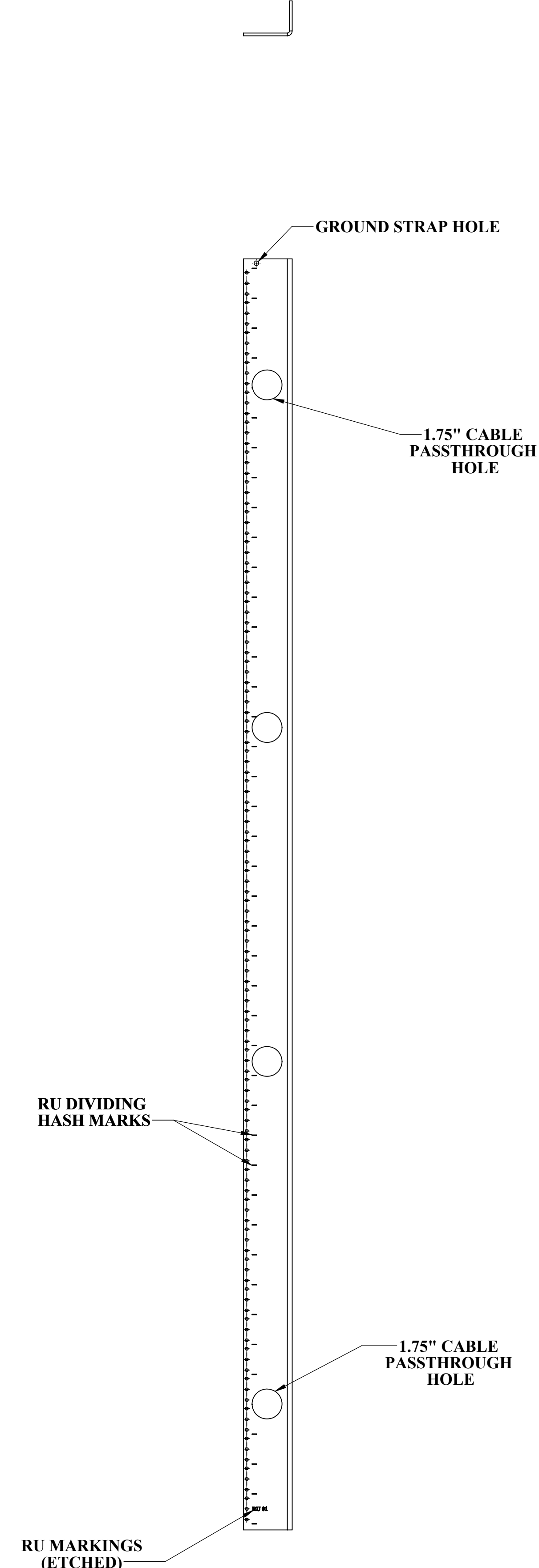
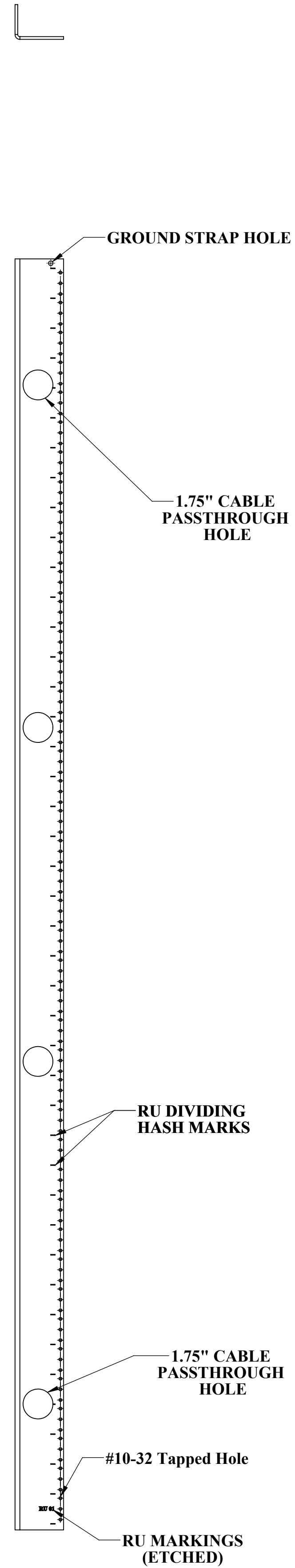
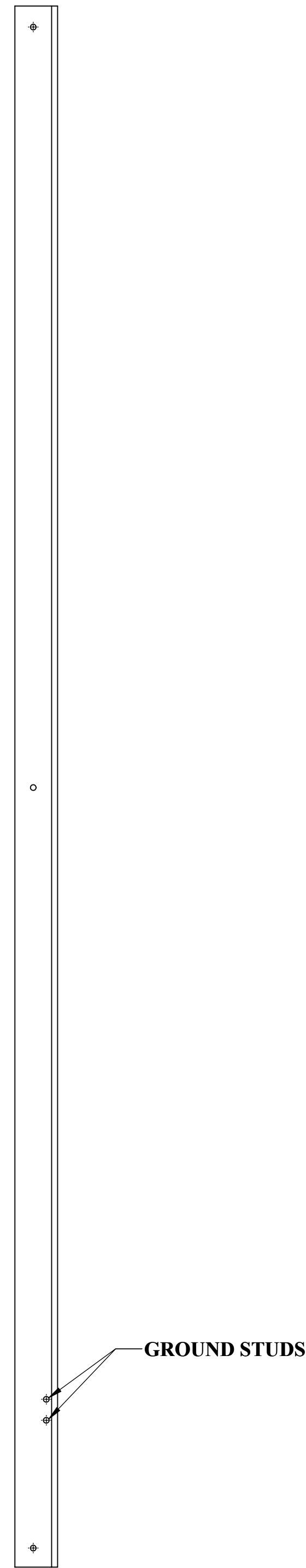
PROPRIETARY AND CONFIDENTIAL  
 THE INFORMATION CONTAINED HEREIN IS THE SOLE PROPERTY OF DDB Unlimited, INC. ANY  
 REPRODUCTION IN PART OR AS A WHOLE WITHOUT THE WRITTEN PERMISSION OF DDB Unlimited, INC. IS PROHIBITED.

DDB FORM: 7-1-2 REV: E 04/25/13

8 7 6 5 4 3 2 1

H  
G  
F  
E  
D  
C  
B  
A

FOR STANDARD RAILS, SEE DWG#: 00034



<b>DDB Unlimited Inc.</b>			
R-19L-OD			
Rail, Standard, 19" EIA Racking, RLeft Rail, 42RU (OD-78)			
SIZE	Cage Code:	DWG. NO.:	REV
D	385Y5	00433	B
SCALE: 1:32		WEIGHT: 5 lbs.	
SHEET 2 OF 2			

DO NOT SCALE DRAWING

2 1

PROPRIETARY AND CONFIDENTIAL  
THE INFORMATION CONTAINED IN THIS DRAWING IS THE SOLE PROPERTY OF DDB Unlimited, INC. ANY  
REPRODUCTION IN PART OR AS A WHOLE WITHOUT THE WRITTEN PERMISSION OF DDB Unlimited, INC. IS PROHIBITED.

DDB FORM: 7-1-2 REV.F 04/25/14