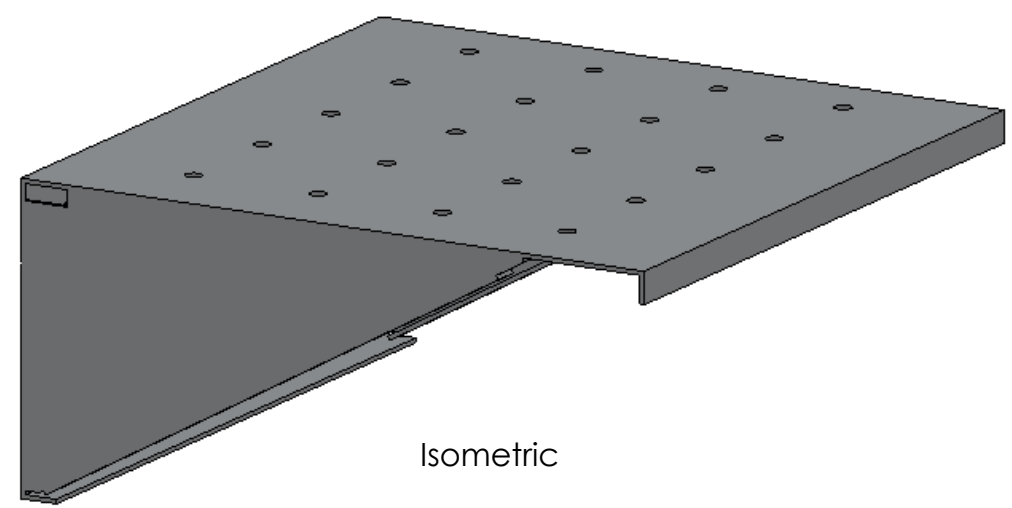
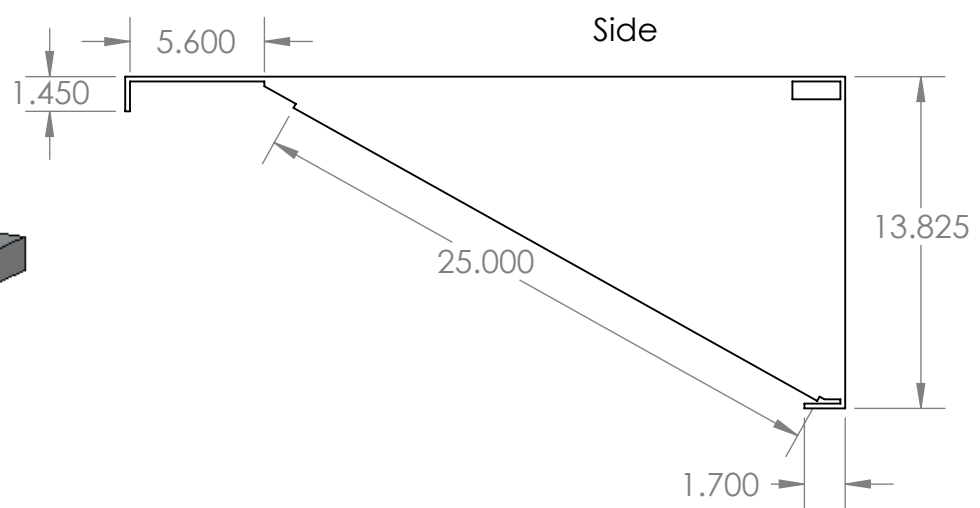
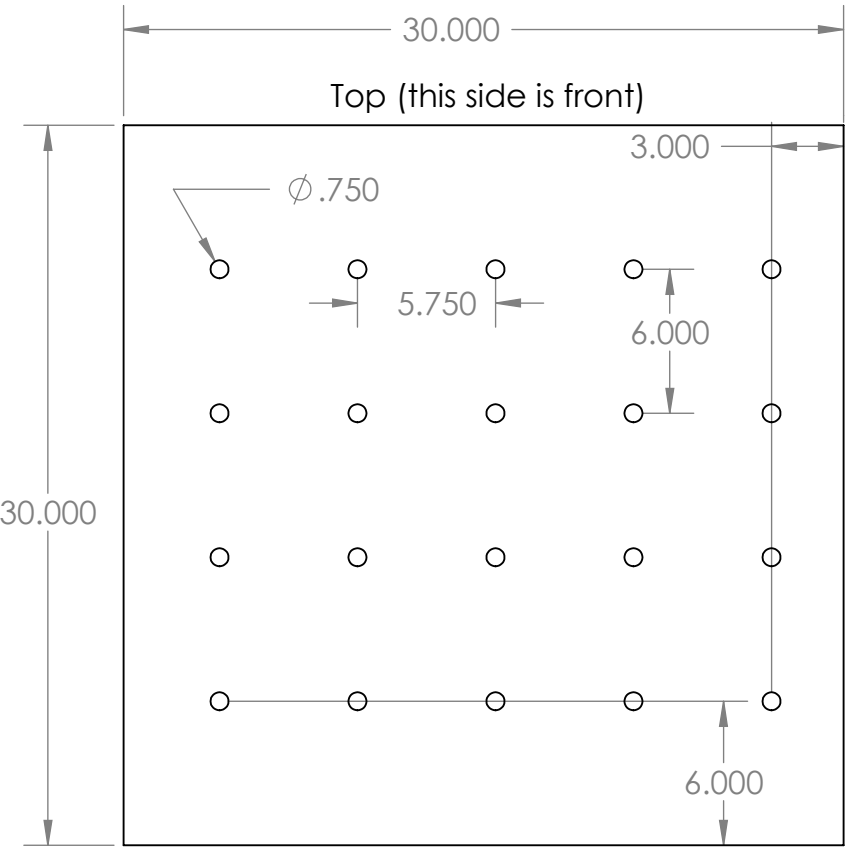


The back (mounting side) of the PMS is symetrical both on the vertical plane as well as the horizontal plane, as it relates to holes and locations. The hole on the top face of the PMS ar of equal size and distance from one another.



Isometric

PROPRIETARY AND CONFIDENTIAL:
 THE INFORMATION CONTAINED IN THIS DRAWING IS THE SOLE PROPERTY OF DDB Unlimited, INC. ANY REPRODUCTION IN PART OR AS A WHOLE WITHOUT THE WRITTEN PERMISSION OF DDB Unlimited, INC IS PROHIBITED.



Dimension:	Dimension Unit:	UNLESS OTHERWISE SPECIFIED: DIMENSIONS ARE IN INCHES	DRAWN: R. Lamson	DATE: 1/15/2009	DDB Unlimited Inc.		
Height:	13.825 inches	DO NOT SCALE DRAWING	CHECKED:				
Width:	30 inches	MAJOR MATERIAL: Aluminum	ENG APPR:		SIZE A	DWG. NO. 3030	VER. 1
Depth:	30 inches		MFG APPR:		Scale= 1: 8	Weight:~35 lbs	Sheet 1 of 1
Color:	Powder Baked Cream/Unpainted		Q&A:		COMMENTS: 1. Unless otherwise noted, Material Thickness is 1/8 (.125) inches thick.		