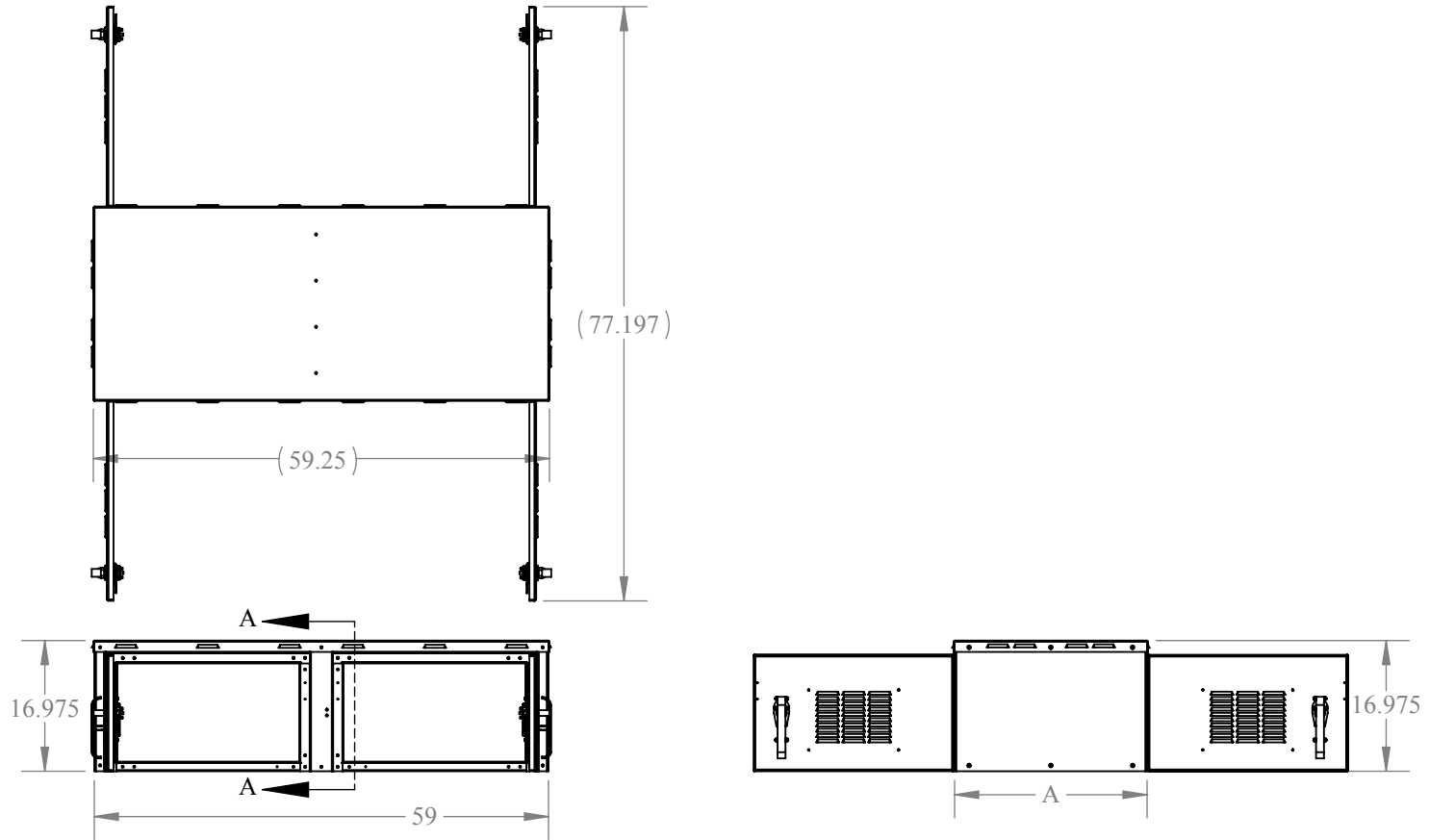


1. See REF DWG#: 00020 for details on cabinet.
 - a. The BOD is a modified OD-16.
 - b. The sidewalls will NOT have r-struts.
 - c. The floor will not have the mounting etchings.
 - d. There will NOT be door rods, rod brackets, or rod stoppers.
2. See REF DWG#: 00028 for details on battery tray assembly.
3. This Battery Enclosure will NOT have brackets running the width of the enclosure inside the ceiling.
4. Mounting Feet will NOT be standard on a stand alone 2BOD. If a 2OD enclosure is stacked on top of the 2BOD, the 2OD mounting feet will be moved to the 2BOD.

REVISIONS		
REV.	DESCRIPTION	DATE
A	Initial Release per DR-00379	9/27/2011

Cab Depth	Depth Dimension
DX	25"
DD	34"
DDX	42"



NOTES: UNLESS OTHERWISE SPECIFIED

1. DIMENSIONS AND TOLERANCES ARE IN ACCORDANCE WITH ASME Y14.5M
2. DIMENSIONS ARE IN INCHES, UNLESS OTHERWISE SPECIFIED
3. THIS IS A SUPPLEMENTAL DRAWING AND MAY NOT BE FULLY DIMENSIONED
4. THE NOTES, TOLERANCES, AND SPECIAL INSTRUCTIONS ARE TO BE USED ALONG WITH THE LATEST REVISION OF THE SOLID DATABASE. THE PART OR ASSEMBLY IS TO BE CONTROLLED PER THE ELECTRONIC FILE.
5. SYMBOL Ⓢ DENOTES CRITICAL DIMENSIONS AND MUST BE INSPECTED.
6. REMOVE ALL BURRS AND SHARP EDGES 0.025" MAX RADIUS OR CHAMFER
7. DO NOT DEBURR PRESS FIT HOLES
8. DIMENSIONS SHALL APPLY AFTER ALODINE, PAINT, FINISH, OR COAT IS APPLIED
9. INSTALL PRESS FIT STANDOFFS, STUDS, AND NUTS IN ACCORDANCE WITH THE MANUFACTURER'S SPECIFICATIONS.
10. IDENTIFY PART WITH PART NUMBER, REVISION LETTER AND SERIAL NUMBER
11. FINISHED PART TO BE FREE OF OILS, LUBRICANTS, AND OTHER CONTAMINANTS
12. TOLERANCES, UNLESS OTHERWISE SPECIFIED:
 1. HOLE SIZE: ± 0.003 "
 2. HOLE TO HOLE: ± 0.005 "
 3. HOLE TO EDGE: ± 0.010 "
 4. HOLE TO FOLD: ± 0.015 "



UNLESS OTHERWISE SPECIFIED:
 DIMENSIONS ARE IN INCHES
 ANGULAR: $\pm 1^\circ$
 FRACTIONAL/NO DECIMAL: ± 0.1250
 ONE PLACE DECIMAL: ± 0.0625
 TWO PLACE DECIMAL: ± 0.0200
 THREE PLACE DECIMAL: ± 0.0150
 ALL HOLES: $\pm 0.0030 \phi$
 MATERIAL THICKNESS IS: 0.125"
 MATERIAL: Varies
 PAINT: Varies
 DO NOT SCALE DRAWING

	NAME	DATE
Model by:	DDB	09/27/11
Drawn by:	EdwardW	09/27/11
Sales Rep.:		
Q.A. Appr.:		
Prod.Mgr.:		
Control Number:	020-000367	

DDB Unlimited			
2BOD-XXXX			
Enclosure, Battery, 2BOD			
SIZE	Cage Code:	DWG. NO.:	REV
A	385Y5	00379	~
SCALE: 1:32		WEIGHT: 106 lbs.	SHEET 1 OF 2

Preliminary A

Preliminary A

DDB FORM: 7.1-2-REV.C

09/07/11

Preliminary A

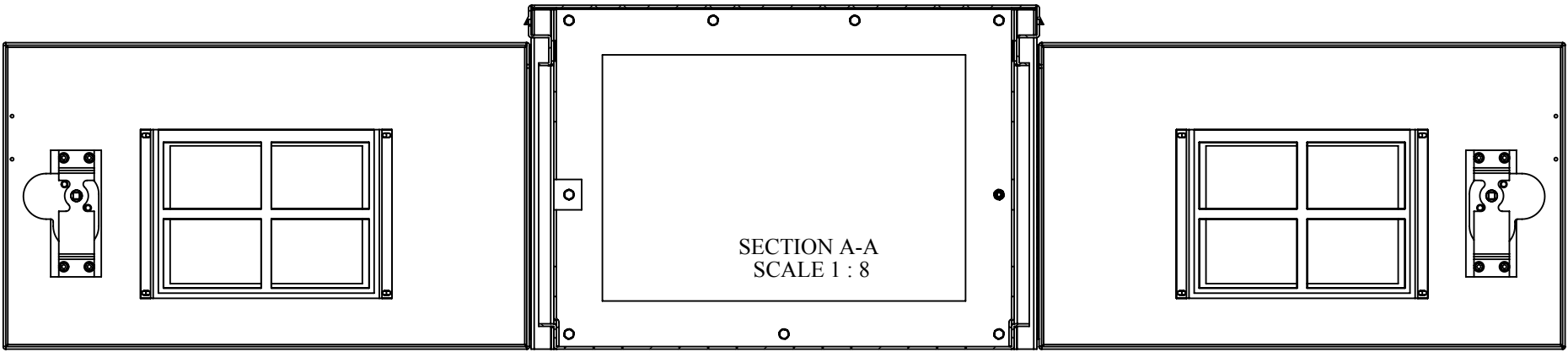
Preliminary A

Preliminary A

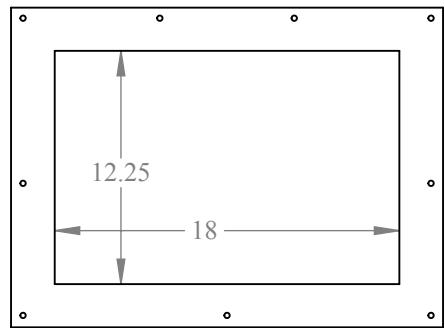
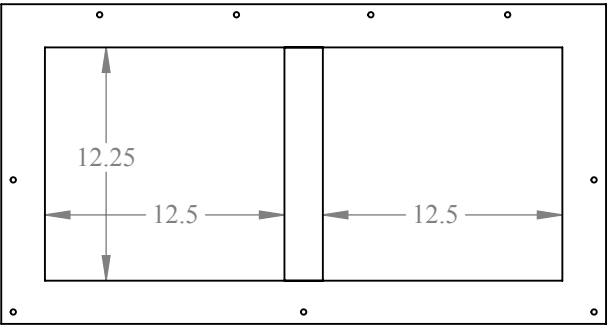
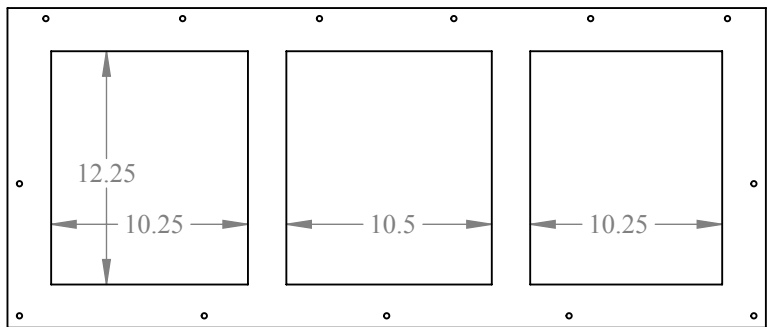
Preliminary A

THE INFORMATION CONTAINED IN THIS DRAWING IS THE SOLE PROPERTY OF DDB Unlimited, INC. ANY REPRODUCTION IN PART OR AS A WHOLE WITHOUT THE WRITTEN PERMISSION OF DDB Unlimited, INC. IS PROHIBITED.

8 7 6 5 4 3 2 1



This Middle Wall will have no r-struts.
 The opening will be 12.25" High.
 The width of each opening is dimensioned.
 See REF DWG#: 00108 for mounting clarification.



PROPRIETARY AND CONFIDENTIAL
 THE INFORMATION CONTAINED IN THIS DRAWING IS THE SOLE PROPERTY OF DDB Unlimited, INC. ANY REPRODUCTION IN PART OR AS A WHOLE WITHOUT THE WRITTEN PERMISSION OF DDB Unlimited, INC. IS PROHIBITED.

2BOD-DX		
Enclosure, 2OD Series		
SIZE	Cage Code: DWG. NO.:	REV
A 385Y5	00379	~
MATERIAL: Material <not specified>	SCALE: 1:32	WEIGHT: 106 lbs.
SHEET 2 OF 2		

8 7 6 5 4 3 2 1

DDB FORM: 7.1-2-REV-B
 06/28/11