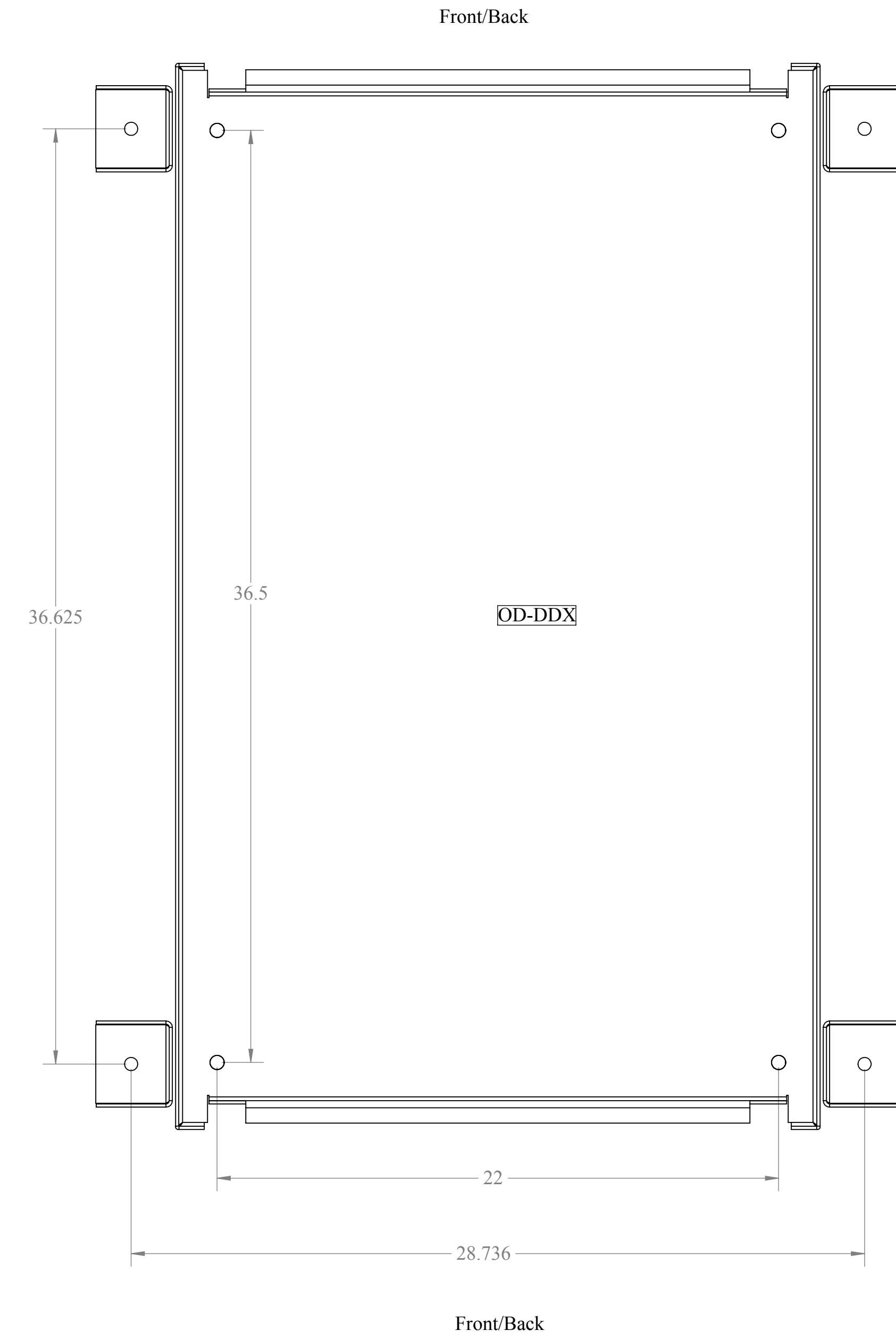
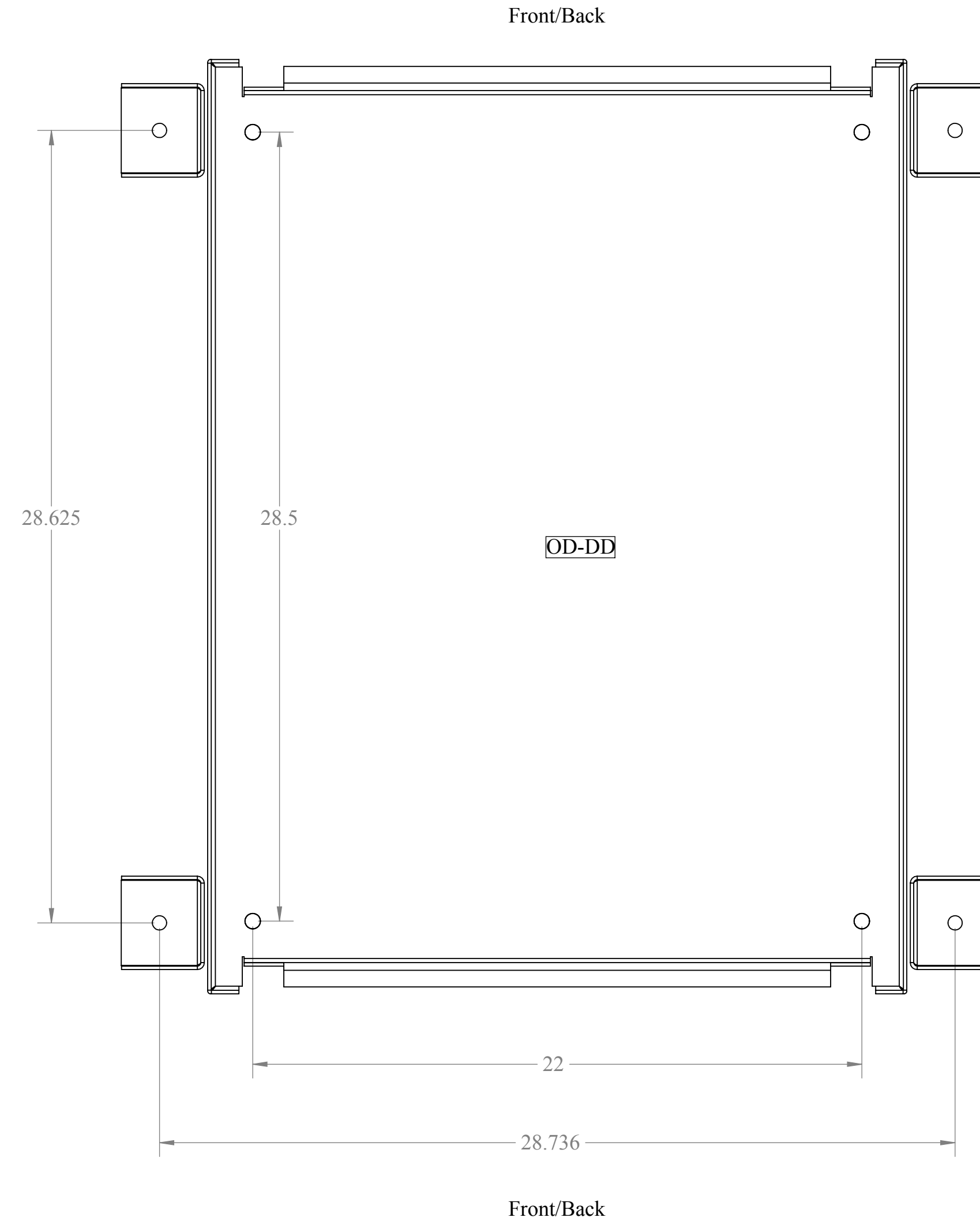
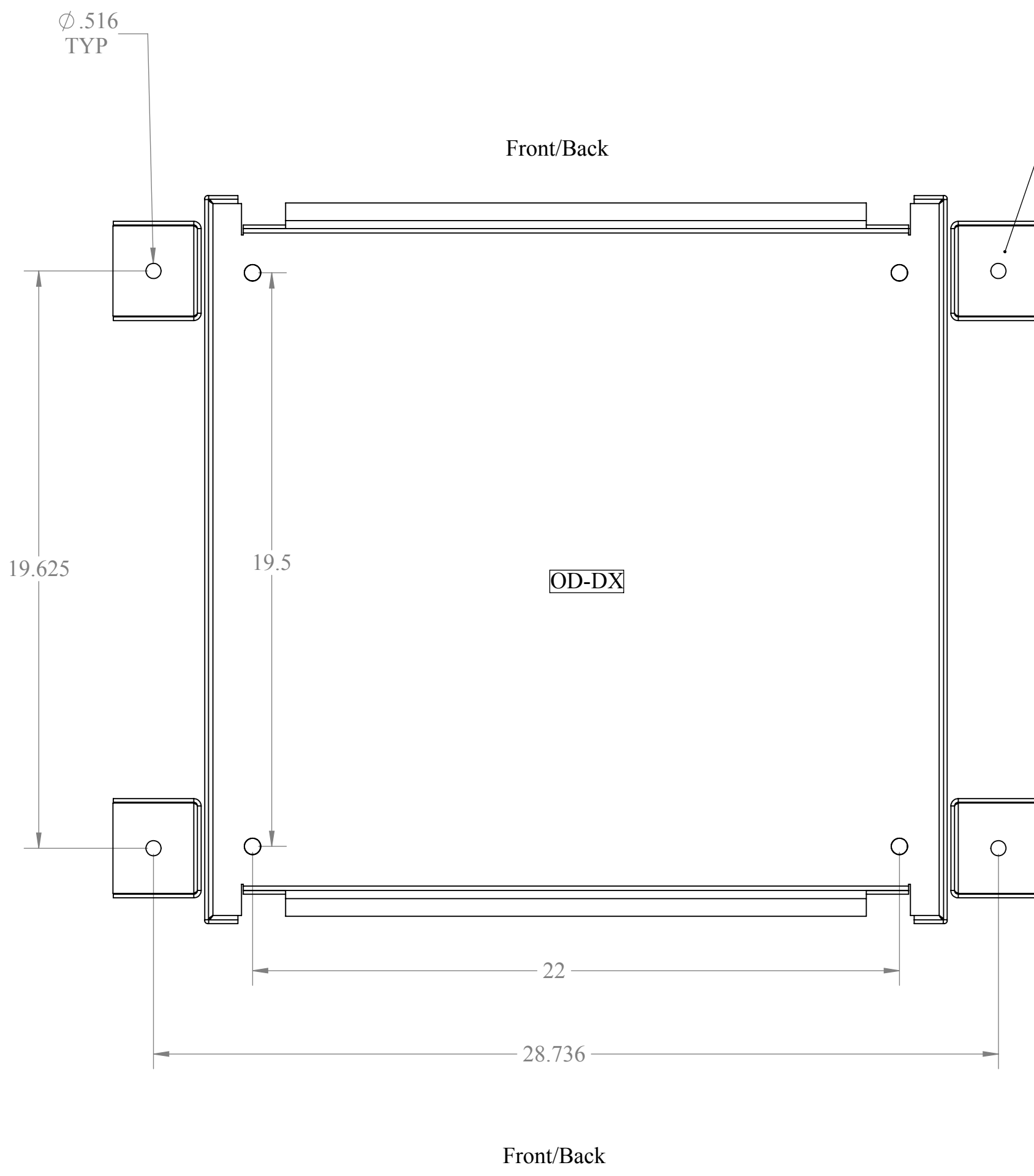


REVISIONS		
REV.	DESCRIPTION	DATE
A	Initial Release per DR-00578	10/2/2012
B	Add WOD Footprint to the drawing per DR-00889	4/1/2014

OUTSIDE MOUNTING FEET
ARE NOT STANDARD WITH THE
OD PRODUCT "OPTIONAL"



NOTES: UNLESS OTHERWISE SPECIFIED

- DIMENSIONS AND TOLERANCES ARE IN ACCORDANCE WITH ASME Y14.5M
- DIMENSIONS ARE IN INCHES, UNLESS OTHERWISE SPECIFIED
- THIS IS A SUPPLEMENTAL DRAWING AND MAY NOT BE FULLY DIMENSIONED. THE NOTES, TOLERANCES, AND SPECIAL INSTRUCTIONS ARE TO BE USED ALONG WITH THE LATEST REVISION OF THE SOLID DATABASE. THE PART OR ASSEMBLY IS TO BE CONTROLLED PER THE ELECTRONIC FILE.
- ALL PEM STUDS SHALL BE FHS FOR STAINLESS ENCLOSURES AND FHA FOR ALUMINUM.
- ALL EXTERIOR WASHERS SHALL BE SEALING WASHERS.
- THE FOLLOWING WEATHER STRIPPING SHALL BE USED FOR THE FOLLOWING APPLICATIONS:
DOOR LIP - TRIMLOCK 3100B3X1/8C
FAN PLATES - STICKER-TITE 1/8x3/8
ACS - STICKER-TITE 1/4x3/4
- CUSTOM ENCLOSURES SHALL HAVE SECURITY TORX FOR ALL EXTERIOR HARDWARE.
- SYMBOL (C) DENOTES CRITICAL DIMENSIONS AND MUST BE INSPECTED.
- REMOVE ALL BURRS AND SHARP EDGES 0.025" MAX RADIUS OR CHAMFER
- DO NOT DEBURR PRESS FIT HOLES
- DIMENSIONS SHALL APPLY AFTER ALODINE, PAINT, FINISH, OR COAT IS APPLIED
- INSTALL PRESS FIT STANDOFFS, STUDS, AND NUTS IN ACCORDANCE WITH THE MANUFACTURER'S SPECIFICATIONS.
- ALL OPEN HOLES SHALL BE POPULATED WITH APPLICABLE HARDWARE.
- IDENTIFY PART WITH PART NUMBER, REVISION LETTER AND SERIAL NUMBER
- FINISHED PART TO BE FREE OF OILS, LUBRICANTS, AND OTHER CONTAMINANTS
- NO NYLON LOCK NUTS TO BE USED ON ANY PEM STUDS, UNLESS OTHERWISE SPECIFIED.
- ALL PEM STUDS WILL BE SECURED WITH EXTERNAL TOOTH WASHER AND STANDARD NUTS.
- TOLERANCES, UNLESS OTHERWISE SPECIFIED:
a. HOLE SIZE: ± 0.003 "
b. HOLE TO HOLE: ± 0.005 "
c. HOLE TO EDGE: ± 0.010 "
d. HOLE TO FOLD: ± 0.015 "
e. FOLD TO FOLD: ± 0.020 "

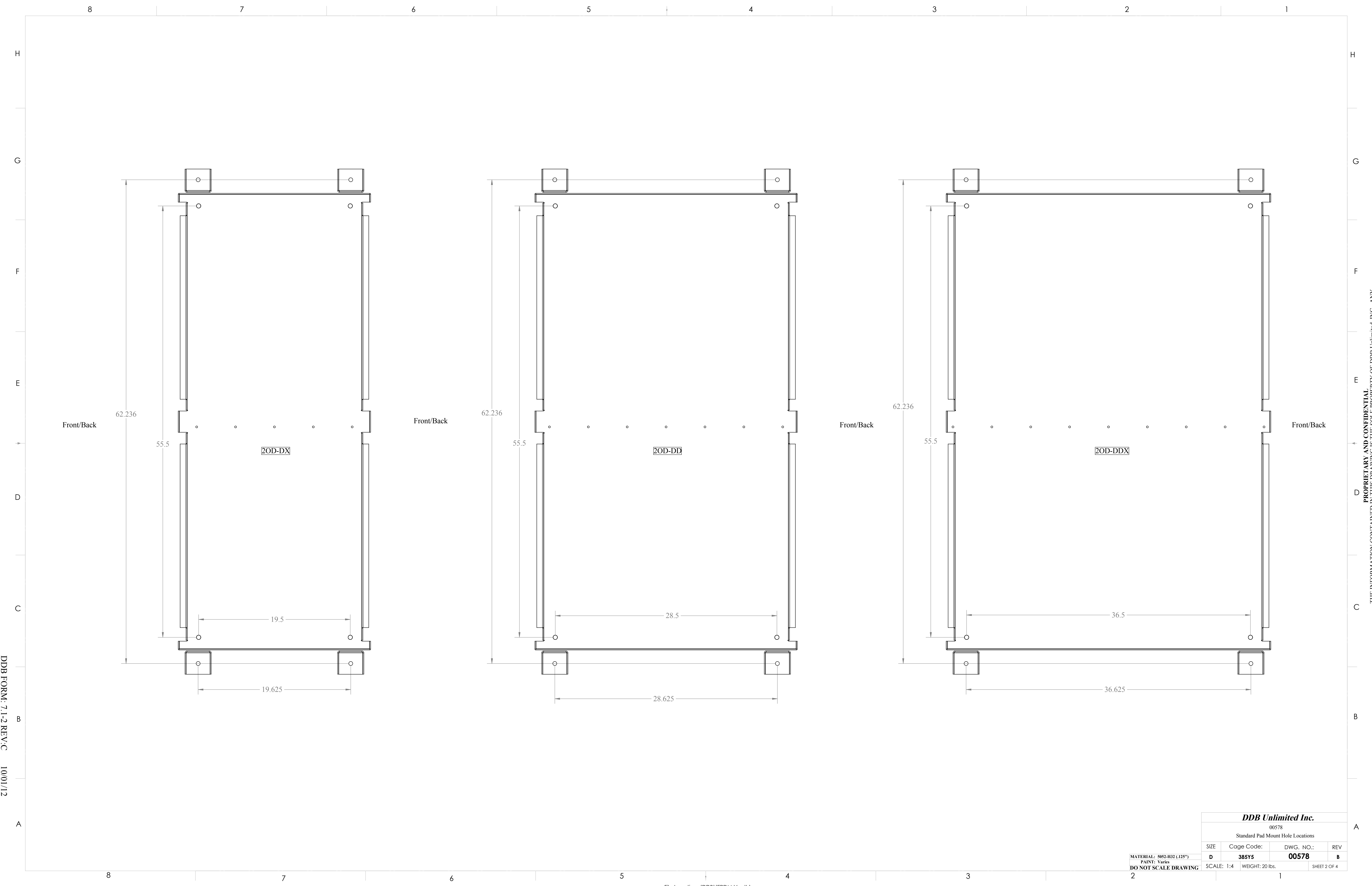


UNLESS OTHERWISE SPECIFIED:		NAME	DATE
ANGULAR:	±1°	Model by:	DDR 10/02/12
FRACTIONAL/NO DECIMAL:	±0.1250	Drawn by:	EdwardW 04/01/14
ONE PLACE DECIMAL:	±0.0625	Sales.Rep.:	Steveb 10/02/12
TWO PLACE DECIMAL:	±0.03125	Q.A.Appr.:	ddb3ma 04/14/14
THREE PLACE DECIMAL:	±0.0156	Prod.Mgr.:	ClarkK 04/14/14
ALL HOLES: ±0.0015"	MATERIAL THICKNESS IS: 0.125"	Control Number:	
PAINT: Varies		DO NOT SCALE DRAWING	

DDB Unlimited Inc.			
00578		Standard Pad Mount Hole Locations	
SIZE	Cage Code:	DWG. NO.:	REV
D	385Y5	00578	B
SCALE: 1:4		WEIGHT: 9 lbs.	
		SHEET 1 OF 4	

DDB FORM: 7-1-2 REV.F 03/26/2014

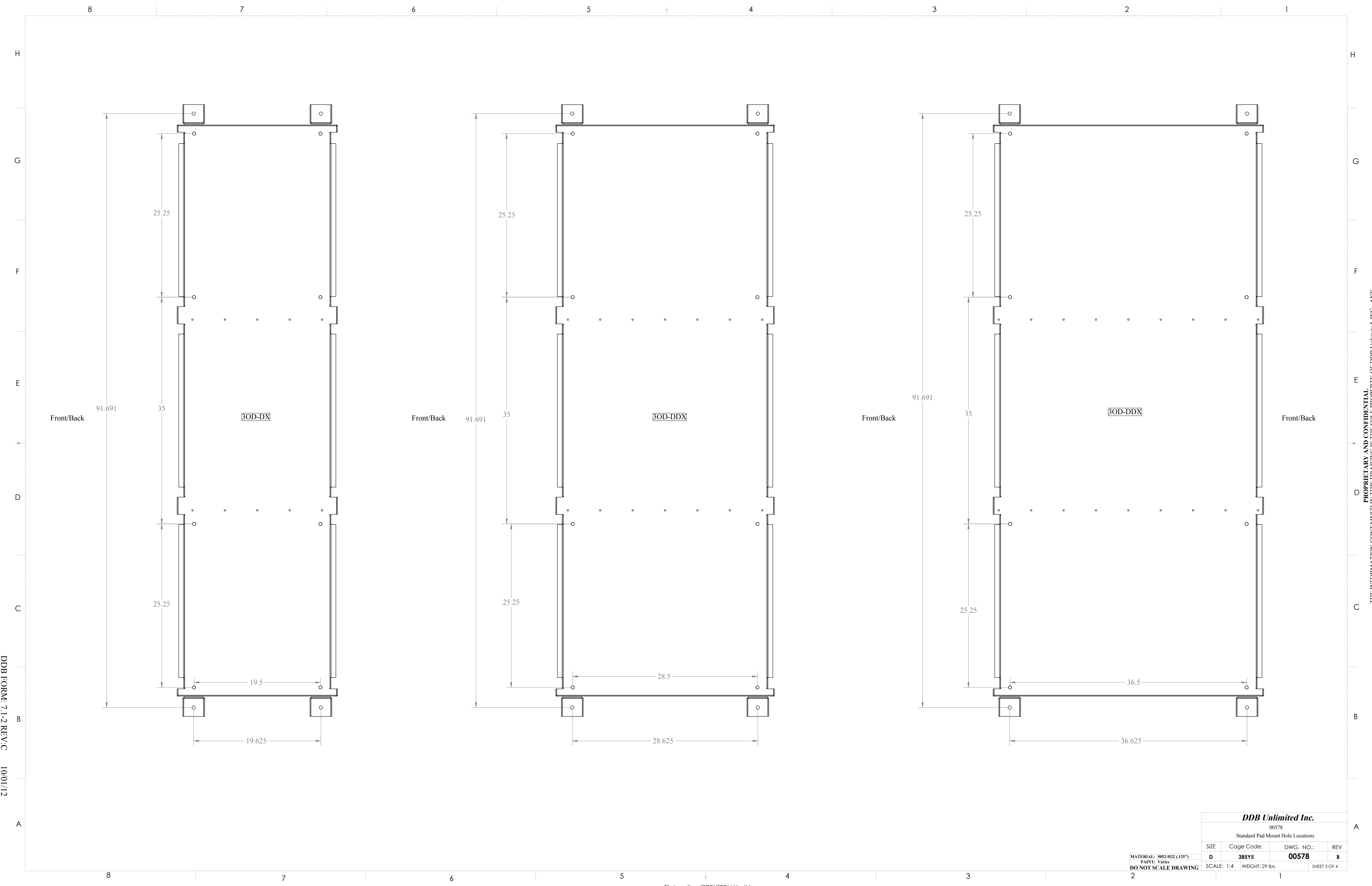
PROPRIETARY AND CONFIDENTIAL
THE INFORMATION CONTAINED IN THIS DRAWING IS THE SOLE PROPERTY OF DDB Unlimited, INC. ANY REPRODUCTION IN PART OR AS A WHOLE WITHOUT THE WRITTEN PERMISSION OF DDB Unlimited, INC. IS PROHIBITED.



DDB FORM: 7-1-2 REV: C 10/01/12

PROPRIETARY AND CONFIDENTIAL
 THE INFORMATION CONTAINED IN THIS DRAWING IS THE SOLE PROPERTY OF DDB Unlimited, INC. ANY
 REPRODUCTION IN PART OR AS A WHOLE WITHOUT THE WRITTEN PERMISSION OF DDB Unlimited, INC. IS PROHIBITED.

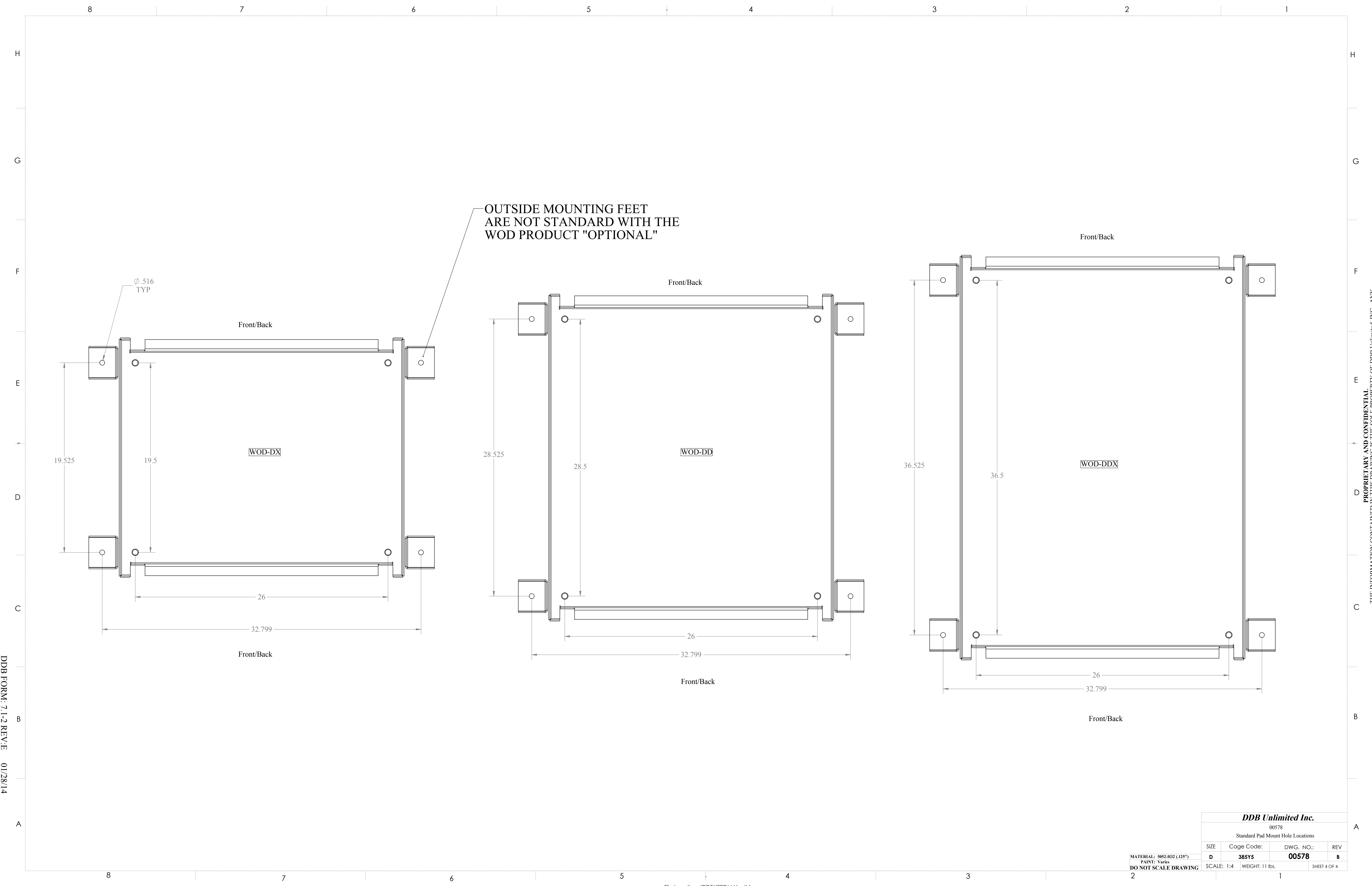
DDB Unlimited Inc.			
00578			
Standard Pad Mount Hole Locations			
SIZE	Cage Code:	DWG. NO.:	REV
D	385Y5	00578	B
MATERIAL: 5052-H32 (125°)		PAINT: Varies	
DO NOT SCALE DRAWING		SCALE: 1:4	WEIGHT: 20 lbs.
		SHEET 2 OF 4	



DDB FORM: 7-1-2 REV: C 10/01/12

PROPRIETARY AND CONFIDENTIAL
 THE INFORMATION CONTAINED IN THIS DRAWING IS THE SOLE PROPERTY OF DDB Unlimited, INC. ANY
 REPRODUCTION IN PART OR AS A WHOLE WITHOUT THE WRITTEN PERMISSION OF DDB Unlimited, INC. IS PROHIBITED.

DDB Unlimited Inc.			
00578			
Standard Pad Mount Hole Locations			
SIZE	Cage Code:	DWG. NO.:	REV
D	385Y5	00578	B
MATERIAL: 5052-H32 (125°)		PAINT: Varies	
DO NOT SCALE DRAWING		SCALE: 1:4	WEIGHT: 29 lbs.
		SHEET 3 OF 4	



OUTSIDE MOUNTING FEET
ARE NOT STANDARD WITH THE
WOD PRODUCT "OPTIONAL"

PROPRIETARY AND CONFIDENTIAL
 THE INFORMATION CONTAINED IN THIS DRAWING IS THE SOLE PROPERTY OF DDB Unlimited, INC. ANY
 REPRODUCTION IN PART OR AS A WHOLE WITHOUT THE WRITTEN PERMISSION OF DDB Unlimited, INC. IS PROHIBITED.

DDB FORM: 7-1-2 REV: E 01/28/14

DDB Unlimited Inc.			
00578			
Standard Pad Mount Hole Locations			
SIZE	Cage Code:	DWG. NO.:	REV
D	385Y5	00578	B

MATERIAL: 5053-H32 (125°)
 PAINT: Varies
 DO NOT SCALE DRAWING SCALE: 1:4 WEIGHT: 11 lbs. SHEET 4 OF 4