



DDB Unlimited, Inc.

SOD SERIES

SOD-302420



Best Warranty in the Industry

Why Choose the SOD Series?

The SOD series enclosure is the ultimate choice for your outdoor equipment racking applications when versatility is needed. Being constructed of our Alumiflex® material, you'll find it noticeably lighter than steel, yet strong enough to rack even the heaviest equipment. When choosing the SOD series, ease of installation along with pad, pole and wall mounting options provide endless possibilities for where you can locate. With many standard features including 3 point locking system, venting system with reusable filter and top solar shield; you will see the value quickly add up. Add to this a long list of available options including HVAC climate controls, electrical and cable entry solutions allows the SOD series to provide a flexibility of options that are second to none. All this with industry best lead times and competitive pricing as you have come to expect with DDB. The SOD series... a versatile, scalable design to meet a wide array of situations.



Application Types

Provides a secure, climate controlled environment for any electronic equipment.

- Telecommunications
- Wireless/Broadband
- DAS/BDA
- Fiber Optics
- Backhaul
- Base Station
- Small Cell
- Utility-Traffic
- Trailer-based Communications
- Wi-Fi
- Flexible and Scalable

Industry Standards

- NEMA 3R, 4 or 4X
- UL Listed (NEMA 3R configuration)

Base Cabinet Weight and Dimensions

Exterior Cabinet Dimensions

31"H x 24"W x 20"D

Approximate Weight

Raw 70 lbs. / Shipping 120 lbs.

Shipping dimensions

36"H x 32" x 42"
(ships on pallet)

Features

- Heavy duty outdoor construction with Front Access, Pad Mountable, and 0.125" Aluminum construction.
- 16 Rack Units (RU) - 19" (standard)
- SS External Hardware and Polypropylene filters
- UL Listed version available (contact sales for details)

2301 S. Hwy. 77 Pauls Valley, OK 73075

T: (800) 753-8459 • F: (877) 220-7236

sales@ddbunlimited.com

www.ddbunlimited.com



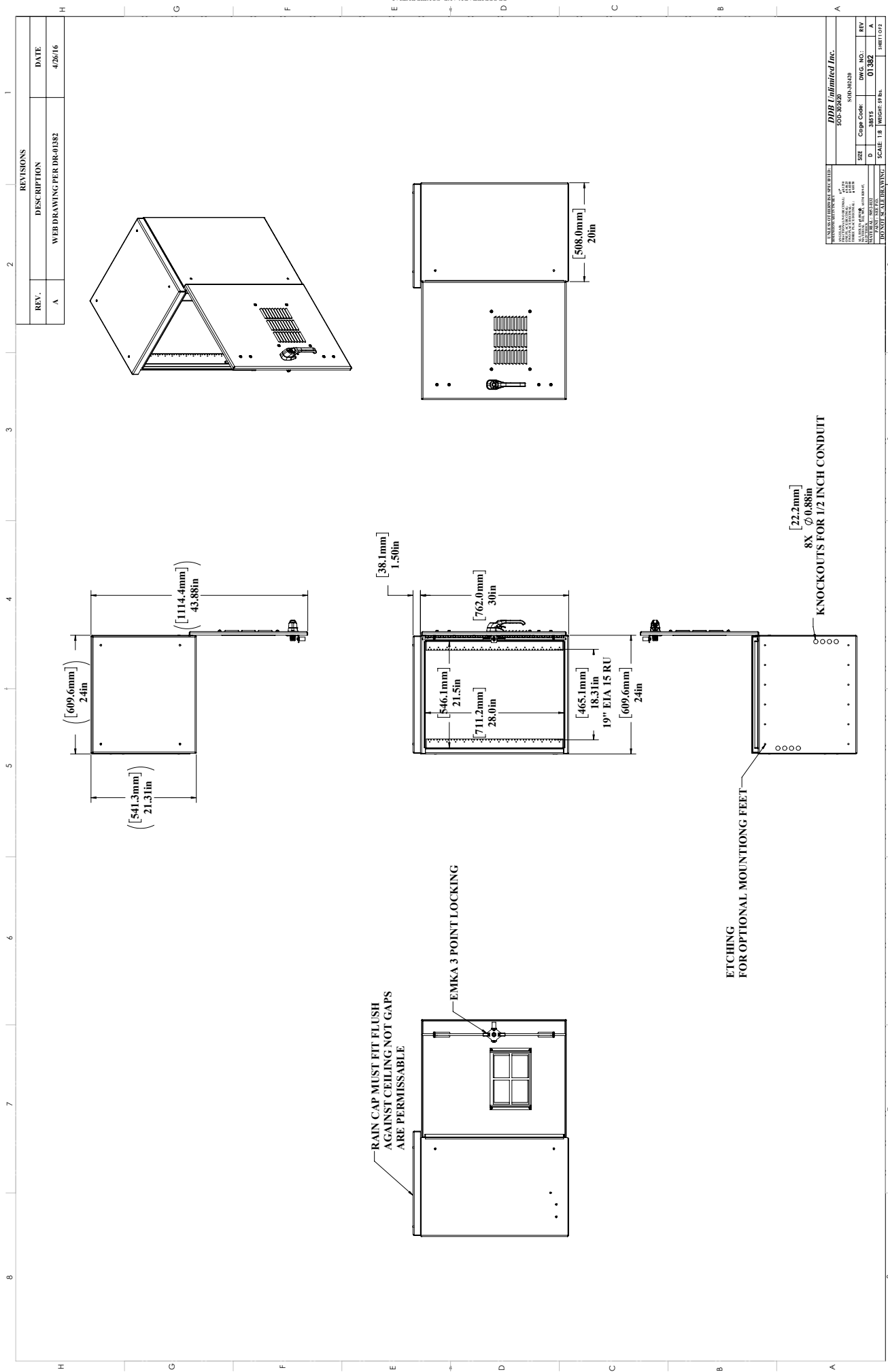


Features

1. Solar Shield
2. EIA 19" Racking Rails
3. 16 Racking Units
4. Stainless Steel Door Hinge
5. Three Point Padlocking Handles
6. Painted Texture Cream
7. 1/2" Conduit Knockouts



SOD SERIES SOD-302420

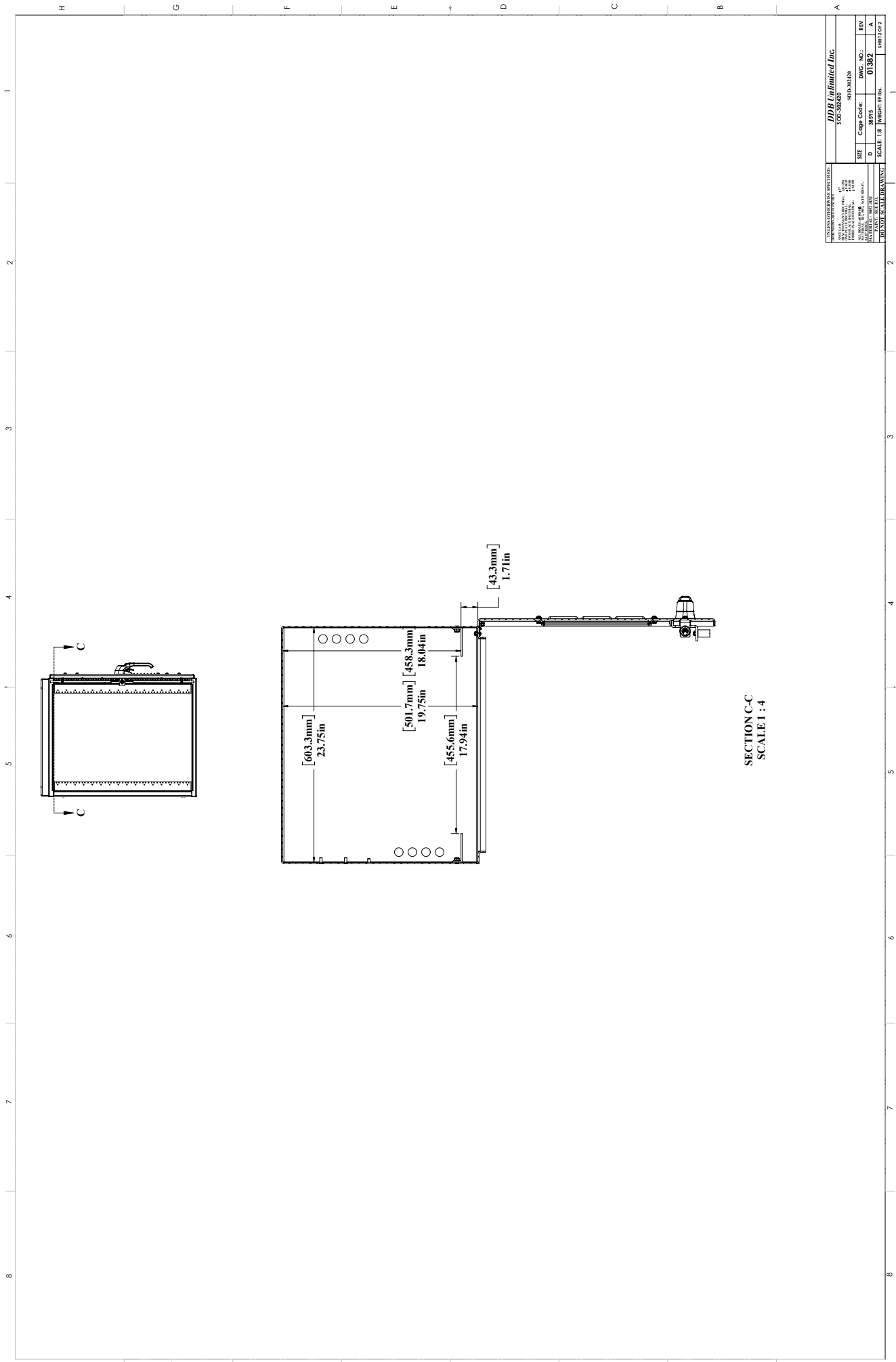


REPRODUCTION IN PART OR AS A WHOLE WITHOUT THE WRITTEN PERMISSION OF DDB Unlimited, INC. IS PROHIBITED. THE INFORMATION CONTAINED IN THIS DRAWING IS THE SOLE PROPERTY OF DDB Unlimited, INC.

REV.	DATE
A	4/26/16

DDB Unlimited Inc.	
505-302420	
NTH-00120	
SIZE	DWG. NO.
D	01382
SCALE 1:8	WEIGHT 9 lbs.
SHEET 01	

SOD SERIES SOD-302420



SECTION C-C
SCALE 1 : 4

REVISIONS NO. DATE BY CHECKED BY DATE DRAWN BY DATE PROJECT NO.		DDB Unlimited Inc. 100-302420	
USE CODE NO.	DWG. NO. 01881	REV. A	SHEET NO. 1
SCALE: 1/8" = 1'-0"		SHEET TOTAL: 1	

REPRODUCTION IN PART OR AS A WHOLE WITHOUT THE WRITTEN PERMISSION OF DDB Unlimited, INC. IS PROHIBITED.
 PROPRIETARY AND CONFIDENTIAL
 THE INFORMATION CONTAINED IN THIS DRAWING IS THE SOLE PROPERTY OF DDB Unlimited, INC. ANY
 REPRODUCTION IN PART OR AS A WHOLE WITHOUT THE WRITTEN PERMISSION OF DDB Unlimited, INC. IS PROHIBITED.