

OD Series

OD-50DX

Why Choose OD the Series?

The OD series of enclosures are the ultimate choice for your outdoor racking requirements. Being made of our own rugged Alumiflex®, you'll find it noticeably lighter than steel, yet strong enough to rack even the heaviest equipment. When choosing the OD series, you have handpicked the highest value in American construction. The OD-50DX includes the standard features you have come to expect with DDB, incorporating the versatile strut system for adjustable racking, the security of a 3-point locking system and our patented Alumishield® solar cap to manage heat loads. For those who need more than just our standard enclosure, DDB can also make a truly customized solution with our many available options including HVAC, providing a climate-controlled environment for any electronic equipment, electrical load panels and cable entry solutions to name a few. All of this comes together to create an enclosure able to meet all of the unique needs your customers have been seeking. DDB offers a state-of-the-art design, a competitive price, benchmark lead times and a guaranteed delivery, all backed up with an industry leading 15-year warranty on every enclosure. Put DDB's substantial stock to work for you today. Contact our professional staff to assist you with your made-to-order solution.



Features

- 0.125" Aluminum Construction
- Stainless Steel External Hardware/Hinge
- 3 Point Lock System
- Heavy Duty Out-Door Construction
- Front and Rear Access
- Flexible and Scalable
- 15 Year Warranty
- Quick Shipping

Application Types

- Telecommunications
- Wireless/Broadband
- Fiber Optics
- Back Haul
- Small Cell/DAS
- Public Safety
- Utility
- Base Station
- Military
- Trailer-Based Communications
- Wi-Fi
- LTEE/4G/5G



Industry Standards:

- NEMA 3R as shown
- NEMA 4 and 4X configurable (unlisted to environmental rating)
- OD Series Listed to UL 50/50E Type 4 Available**
- ETL listed to UL Standard 60950-1/CSA 22.2C

2301 S. HWY 77 Pauls Valley, OK 73075

T: (800) 753-8459 – F: (877) 220-7236

sales@ddbunlimited.com www.ddbunlimited.com

Weight and Dimensions

Approximate Exterior Enclosure Dimensions:

52"H x 28"W x 30"D

Shipping Dimensions:

32"W x 42"L - Palletized

Approximate Shipping Weight:

160lbs.

OD Series

OD-50DX



Features

1. Solar Shield (Alumishield)
2. 19" Adjustable Racking Rails
3. Rear Access Door
4. Stainless Steel Door Hinge
5. 3 Point Locking System
6. Reusable Vent Filters

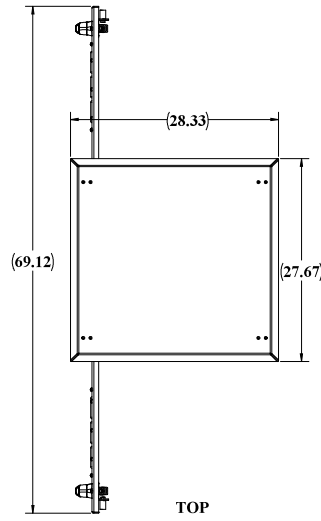
2301 S. HWY 77 Pauls Valley, OK 73075

T: (800) 753-8459 – F: (877) 220-7236

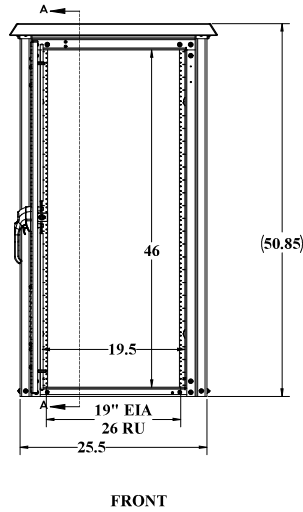
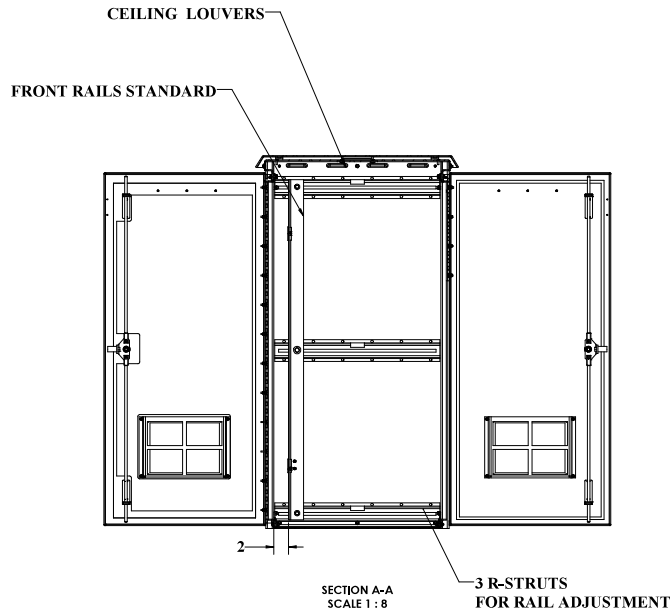
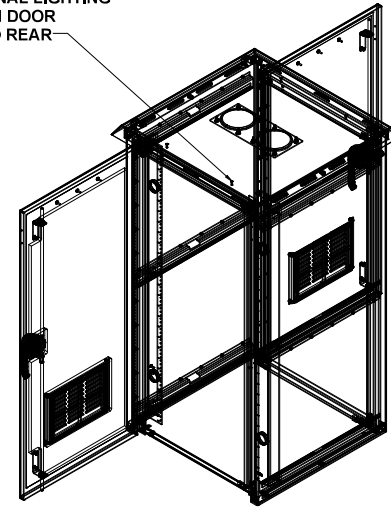
sales@ddbunlimited.com www.ddbunlimited.com

WEB DRAWING (NOT FOR FABRICATION)

REVISIONS		
REV.	DESCRIPTION	DATE
A	Web Drawing per DR-00425	11/15/2011
B	Add new components and DWG template to WEB DWG per DR-00920	5/12/2014
C	UPDATED WITH 2019 FORMAT	2/25/2019

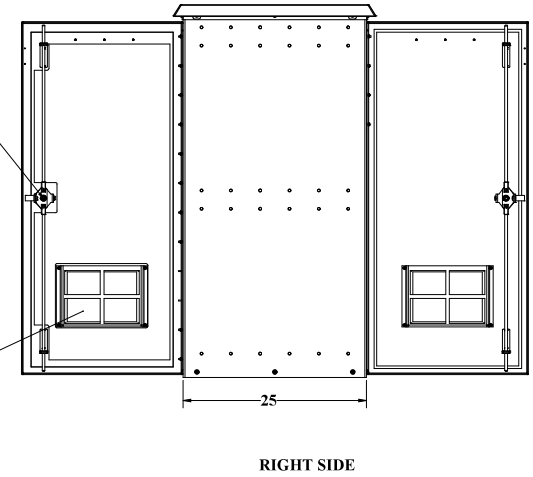


STANDOFFS STANDARD FOR OPTIONAL LIGHTING OVER EACH DOOR FRONT AND REAR



3 POINT LOCKING

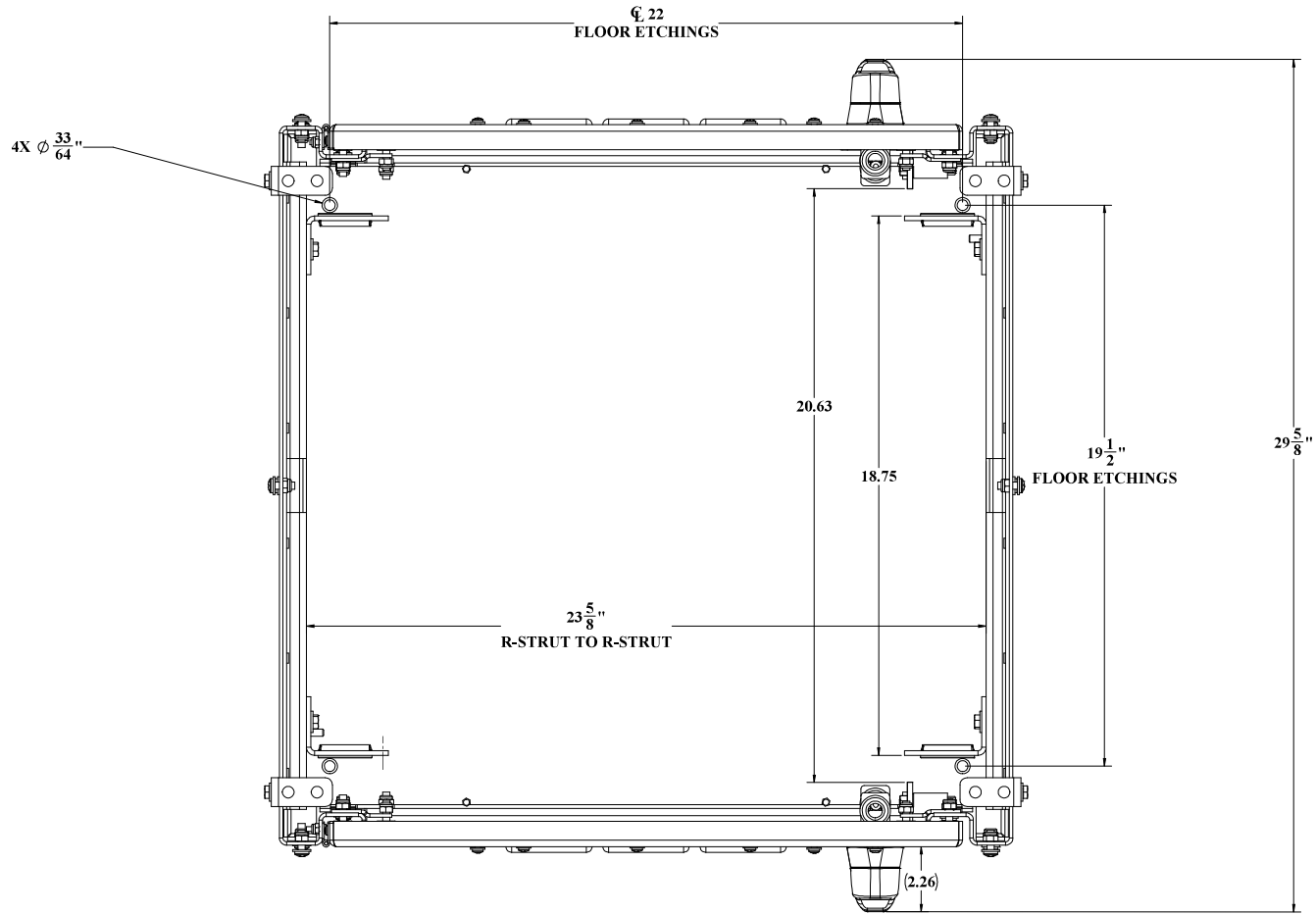
FILTERED VENTS



WEB DRAWING (NOT FOR FABRICATION)

UNLESS OTHERWISE SPECIFIED:		NAME	DATE	DDB Unlimited Inc.		
CONSTRUCTION LINE OR STYLE	#1008	11/15/2011	OD Family Engineers			
APPROVAL	#1014		Inclusive, OJD, SK, DK			
DATE OF LAST MODIFICATION	#1015					
DATE OF THIS DRAWING	#1016					
DATE OF PREVIOUS EDITION	#1017					
DATE OF PREVIOUS EDITION	#1018					
DATE OF PREVIOUS EDITION	#1019					
DATE OF PREVIOUS EDITION	#1020					
DATE OF PREVIOUS EDITION	#1021					
DATE OF PREVIOUS EDITION	#1022					
DATE OF PREVIOUS EDITION	#1023					
DATE OF PREVIOUS EDITION	#1024					
DATE OF PREVIOUS EDITION	#1025					
DATE OF PREVIOUS EDITION	#1026					
DATE OF PREVIOUS EDITION	#1027					
DATE OF PREVIOUS EDITION	#1028					
DATE OF PREVIOUS EDITION	#1029					
DATE OF PREVIOUS EDITION	#1030					
DATE OF PREVIOUS EDITION	#1031					
DATE OF PREVIOUS EDITION	#1032					
DATE OF PREVIOUS EDITION	#1033					
DATE OF PREVIOUS EDITION	#1034					
DATE OF PREVIOUS EDITION	#1035					
DATE OF PREVIOUS EDITION	#1036					
DATE OF PREVIOUS EDITION	#1037					
DATE OF PREVIOUS EDITION	#1038					
DATE OF PREVIOUS EDITION	#1039					
DATE OF PREVIOUS EDITION	#1040					
DATE OF PREVIOUS EDITION	#1041					
DATE OF PREVIOUS EDITION	#1042					
DATE OF PREVIOUS EDITION	#1043					
DATE OF PREVIOUS EDITION	#1044					
DATE OF PREVIOUS EDITION	#1045					
DATE OF PREVIOUS EDITION	#1046					
DATE OF PREVIOUS EDITION	#1047					
DATE OF PREVIOUS EDITION	#1048					
DATE OF PREVIOUS EDITION	#1049					
DATE OF PREVIOUS EDITION	#1050					
DATE OF PREVIOUS EDITION	#1051					
DATE OF PREVIOUS EDITION	#1052					
DATE OF PREVIOUS EDITION	#1053					
DATE OF PREVIOUS EDITION	#1054					
DATE OF PREVIOUS EDITION	#1055					
DATE OF PREVIOUS EDITION	#1056					
DATE OF PREVIOUS EDITION	#1057					
DATE OF PREVIOUS EDITION	#1058					
DATE OF PREVIOUS EDITION	#1059					
DATE OF PREVIOUS EDITION	#1060					
DATE OF PREVIOUS EDITION	#1061					
DATE OF PREVIOUS EDITION	#1062					
DATE OF PREVIOUS EDITION	#1063					
DATE OF PREVIOUS EDITION	#1064					
DATE OF PREVIOUS EDITION	#1065					
DATE OF PREVIOUS EDITION	#1066					
DATE OF PREVIOUS EDITION	#1067					
DATE OF PREVIOUS EDITION	#1068					
DATE OF PREVIOUS EDITION	#1069					
DATE OF PREVIOUS EDITION	#1070					
DATE OF PREVIOUS EDITION	#1071					
DATE OF PREVIOUS EDITION	#1072					
DATE OF PREVIOUS EDITION	#1073					
DATE OF PREVIOUS EDITION	#1074					
DATE OF PREVIOUS EDITION	#1075					
DATE OF PREVIOUS EDITION	#1076					
DATE OF PREVIOUS EDITION	#1077					
DATE OF PREVIOUS EDITION	#1078					
DATE OF PREVIOUS EDITION	#1079					
DATE OF PREVIOUS EDITION	#1080					
DATE OF PREVIOUS EDITION	#1081					
DATE OF PREVIOUS EDITION	#1082					
DATE OF PREVIOUS EDITION	#1083					
DATE OF PREVIOUS EDITION	#1084					
DATE OF PREVIOUS EDITION	#1085					
DATE OF PREVIOUS EDITION	#1086					
DATE OF PREVIOUS EDITION	#1087					
DATE OF PREVIOUS EDITION	#1088					
DATE OF PREVIOUS EDITION	#1089					
DATE OF PREVIOUS EDITION	#1090					
DATE OF PREVIOUS EDITION	#1091					
DATE OF PREVIOUS EDITION	#1092					
DATE OF PREVIOUS EDITION	#1093					
DATE OF PREVIOUS EDITION	#1094					
DATE OF PREVIOUS EDITION	#1095					
DATE OF PREVIOUS EDITION	#1096					
DATE OF PREVIOUS EDITION	#1097					
DATE OF PREVIOUS EDITION	#1098					
DATE OF PREVIOUS EDITION	#1099					
DATE OF PREVIOUS EDITION	#1100					
DATE OF PREVIOUS EDITION	#1101					
DATE OF PREVIOUS EDITION	#1102					
DATE OF PREVIOUS EDITION	#1103					
DATE OF PREVIOUS EDITION	#1104					
DATE OF PREVIOUS EDITION	#1105					
DATE OF PREVIOUS EDITION	#1106					
DATE OF PREVIOUS EDITION	#1107					
DATE OF PREVIOUS EDITION	#1108					
DATE OF PREVIOUS EDITION	#1109					
DATE OF PREVIOUS EDITION	#1110					
DATE OF PREVIOUS EDITION	#1111					
DATE OF PREVIOUS EDITION	#1112					
DATE OF PREVIOUS EDITION	#1113					
DATE OF PREVIOUS EDITION	#1114					
DATE OF PREVIOUS EDITION	#1115					
DATE OF PREVIOUS EDITION	#1116					
DATE OF PREVIOUS EDITION	#1117					
DATE OF PREVIOUS EDITION	#1118					
DATE OF PREVIOUS EDITION	#1119					
DATE OF PREVIOUS EDITION	#1120					
DATE OF PREVIOUS EDITION	#1121					
DATE OF PREVIOUS EDITION	#1122					
DATE OF PREVIOUS EDITION	#1123					
DATE OF PREVIOUS EDITION	#1124					
DATE OF PREVIOUS EDITION	#1125					
DATE OF PREVIOUS EDITION	#1126					
DATE OF PREVIOUS EDITION	#1127					
DATE OF PREVIOUS EDITION	#1128					
DATE OF PREVIOUS EDITION	#1129					
DATE OF PREVIOUS EDITION	#1130					
DATE OF PREVIOUS EDITION	#1131					
DATE OF PREVIOUS EDITION	#1132					
DATE OF PREVIOUS EDITION	#1133					
DATE OF PREVIOUS EDITION	#1134					
DATE OF PREVIOUS EDITION	#1135					
DATE OF PREVIOUS EDITION	#1136					
DATE OF PREVIOUS EDITION	#1137					
DATE OF PREVIOUS EDITION	#1138					
DATE OF PREVIOUS EDITION	#1139					
DATE OF PREVIOUS EDITION	#1140					
DATE OF PREVIOUS EDITION	#1141					
DATE OF PREVIOUS EDITION	#1142					
DATE OF PREVIOUS EDITION	#1143					
DATE OF PREVIOUS EDITION	#1144					
DATE OF PREVIOUS EDITION	#1145					
DATE OF PREVIOUS EDITION	#1146					
DATE OF PREVIOUS EDITION	#1147					
DATE OF PREVIOUS EDITION	#1148					
DATE OF PREVIOUS EDITION	#1149					
DATE OF PREVIOUS EDITION	#1150					
DATE OF PREVIOUS EDITION	#1151					
DATE OF PREVIOUS EDITION	#1152					
DATE OF PREVIOUS EDITION	#1153					
DATE OF PREVIOUS EDITION	#1154					
DATE OF PREVIOUS EDITION	#1155					
DATE OF PREVIOUS EDITION	#1156					
DATE OF PREVIOUS EDITION	#1157					
DATE OF PREVIOUS EDITION	#1158					
DATE OF PREVIOUS EDITION	#1159					
DATE OF PREVIOUS EDITION	#1160					
DATE OF PREVIOUS EDITION	#1161					
DATE OF PREVIOUS EDITION	#1162					
DATE OF PREVIOUS EDITION	#1163					
DATE OF PREVIOUS EDITION	#1164					
DATE OF PREVIOUS EDITION	#1165					
DATE OF PREVIOUS EDITION	#1166					
DATE OF PREVIOUS EDITION	#1167					
DATE OF PREVIOUS EDITION	#1168					
DATE OF PREVIOUS EDITION	#1169					
DATE OF PREVIOUS EDITION	#1170					
DATE OF PREVIOUS EDITION	#1171					
DATE OF PREVIOUS EDITION	#1172					
DATE OF PREVIOUS EDITION	#1173					
DATE OF PREVIOUS EDITION	#1174					
DATE OF PREVIOUS EDITION	#1175					
DATE OF PREVIOUS EDITION	#1176					
DATE OF PREVIOUS EDITION	#1177					
DATE OF PREVIOUS EDITION	#1178					
DATE OF PREVIOUS EDITION	#1179					
DATE OF PREVIOUS EDITION	#1180					
DATE OF PREVIOUS EDITION	#1181					
DATE OF PREVIOUS EDITION	#1182					
DATE OF PREVIOUS EDITION	#1183					
DATE OF PREVIOUS EDITION	#1184					
DATE OF PREVIOUS EDITION	#1185					
DATE OF PREVIOUS EDITION	#1186					
DATE OF PREVIOUS EDITION	#1187					
DATE OF PREVIOUS EDITION	#1188					
DATE OF PREVIOUS EDITION	#1189					
DATE OF PREVIOUS EDITION	#1190					
DATE OF PREVIOUS EDITION	#1191					
DATE OF PREVIOUS EDITION	#1192					
DATE OF PREVIOUS EDITION	#1193					
DATE OF PREVIOUS EDITION	#1194					
DATE OF PREVIOUS EDITION	#1195					
DATE OF PREVIOUS EDITION	#1196					
DATE OF PREVIOUS EDITION	#1197					
DATE OF PREVIOUS EDITION	#1198					
DATE OF PREVIOUS EDITION	#1199					
DATE OF PREVIOUS EDITION	#1200					

WEB DRAWING (NOT FOR FABRICATION)



TOP VIEW (NO CEILING OR ALUMASHIELD SHOWN)

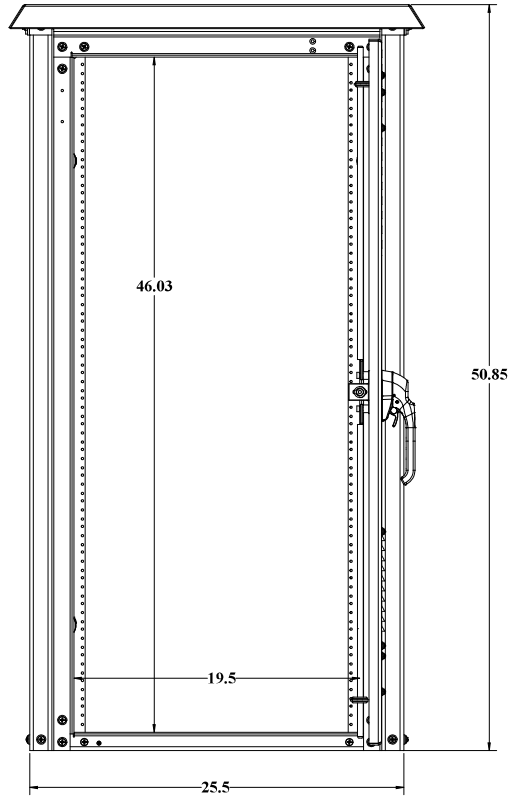
WEB DRAWING (NOT FOR FABRICATION)

UNLESS OTHERWISE SPECIFIED:		NAME	DATE	DDB Unlimited Inc.		
CONSTRUCTION LINE OR HATCH	Model No.:	0008	11/17/2011	OD Family Enclosures		
APPROXIMATE DIMENSIONS	Drawn By:	Manus	03/08/10	OD Family Enclosures, EXC, Closed		
TRUE DIMENSIONS	Scale:	1:1				
TRUE DIMENSIONS	Drawn By:	Manus	11/16/11	REV	Cage Code:	DWG. NO.:
TRUE DIMENSIONS	Q.A. Appr:	alr/ha	04/15/10	D	88515	00426
TRUE DIMENSIONS	Prod.Mgr.:	Clare	08/15/10	C		
TRUE DIMENSIONS	Checked by:			SCALE:	1:32	WK:HT:
TRUE DIMENSIONS	DATE:			SHEET 2 OF 3		

THE INFORMATION CONTAINED IN THIS DRAWING IS THE SOLE PROPERTY OF DDB Unlimited, INC. ANY REPRODUCTION IN PART OR AS A WHOLE WITHOUT THE WRITTEN PERMISSION OF DDB Unlimited, INC. IS PROHIBITED.

DDB FORM 7.1-2 REV.F 02/11/19

WEB DRAWING (NOT FOR FABRICATION)



BACK VIEW GASKET NOW SHOWN

WEB DRAWING (NOT FOR FABRICATION)

UNLESS OTHERWISE SPECIFIED:		NAME	DATE	DDB Unlimited Inc.		
DIMENSIONS ARE IN INCHES		Model by:	0508	OD Family Engineers		
APPROVAL	DATE	Drawn by:	Mar'05	Inchoung, OD, 50, DX		
DESIGNED	07/19	Sales Rep:	Boye C	11/16/11		
CHECKED	07/19	Q.A. Appr:	dufina	04/15/10		
DATE OF REVISION		Prod.Mgr.:	ChaeS	08/15/10		
QUANTITY	461200	MATERIAL: 6063-T5 ALUMINUM		REV	Cage Code:	DWG. NO.:
FABRICATION: HAWKINS INDUSTRIES		DO NOT SCALE DRAWING		D	38515	00426
				SCALE:	1:32	WEEK:
						REV
						C
						2
						1
						3
						4
						5
						6
						7
						8
						9
						10
						11
						12
						13
						14
						15
						16
						17
						18
						19
						20
						21
						22
						23
						24
						25
						26
						27
						28
						29
						30
						31
						32
						33
						34
						35
						36
						37
						38
						39
						40
						41
						42
						43
						44
						45
						46
						47
						48
						49
						50
						51
						52
						53
						54
						55
						56
						57
						58
						59
						60
						61
						62
						63
						64
						65
						66
						67
						68
						69
						70
						71
						72
						73
						74
						75
						76
						77
						78
						79
						80
						81
						82
						83
						84
						85
						86
						87
						88
						89
						90
						91
						92
						93
						94
						95
						96
						97
						98
						99
						100

THE INFORMATION CONTAINED IN THIS DRAWING IS THE SOLE PROPERTY OF DDB Unlimited, INC. ANY REPRODUCTION IN PART OR AS A WHOLE WITHOUT THE WRITTEN PERMISSION OF DDB Unlimited, INC. IS PROHIBITED.

DDB FORM 7.1-2 REV.F 02/11/19