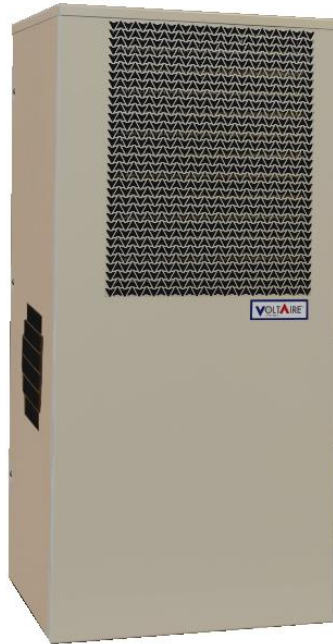


# Narrow Series (AN04) ACV-AN04-110 Air Conditioners



Proudly Engineered,  
Tested / Listed,  
and Manufactured  
in the USA



VoltAire Systems **4,000 BTU** Narrow Air Conditioning Unit is designed for high efficiency and high performance heat management of electronic enclosures or equipment.

## Standard Features

- UL 484 Listed
- UL Type 4 Enclosure Listed
- RoHS Compliant
- Coated condenser coil (>6,000 hr salt spray)
- R134a refrigerant for high ambient operation
- GR487 compliant
- Low ambient cooling/head pressure control
- Acrylume corrosion resistant cabinet
- BIEGE GLOSS TEXTURED POWDER COAT
- 750 Watt Heater
- Stainless steel exterior hardware
- Stainless steel base and evaporator pan
- Sloped top
- 6' power cord with plug
- Electrical system with standard off-the-shelf components found at most HVAC parts stores
- Temperature control board with LED status lights, adjustable settings for temperatures and alarms, self-test, and remote temperature sensor

## Optional Features

- Condenser fan intake filter
- Stainless steel enclosure (Type 4X Enclosure)
- Ethernet controller with digital display



Website:  
[www.voltairesys.com](http://www.voltairesys.com)

Phone:  
(407) 378-7482

Address:  
2900 W. Orange Ave. Ste. 100  
Apopka, FL 32703

VoltAire Doc. #CC1019A  
Published: August 5, 2019

# Narrow Series (AN04) ACV-AN04-110



## Air Conditioners



### Applications

- Radio base stations
- Telecom shelters and indoor / outdoor OSP cabinets
- Network switching rooms and computer rooms
- Automation control cabinets, process control centers
- CNC machines
- Drive cabinets
- Digital advertisement boards, kiosk display systems
- Power supply cabinets, battery cabinets and rectifier cabinet

### Technical Data

Model	AN04	
<b>Performance at 131°F / 131°F</b>		
Nominal Capacity (BTU)	4,000	
Operation Range (°F / °C)	-40 to 131 / -40 to 55	
<b>Electrical Data</b>		
Voltage Input (VAC)	115 (Reciprocating Compressor)	
MCA (Amps)	14.8	
<b>Unit Dimensions</b>		
Height (in/mm)	30.0 / 762	
Width (in/mm)	14.1 / 358	
Depth (in/mm)	12.3 / 312	
Weight (lbs/kg)	65.6 / 29.7	
 <b>UL 484 and Type 4 (X)</b> 		



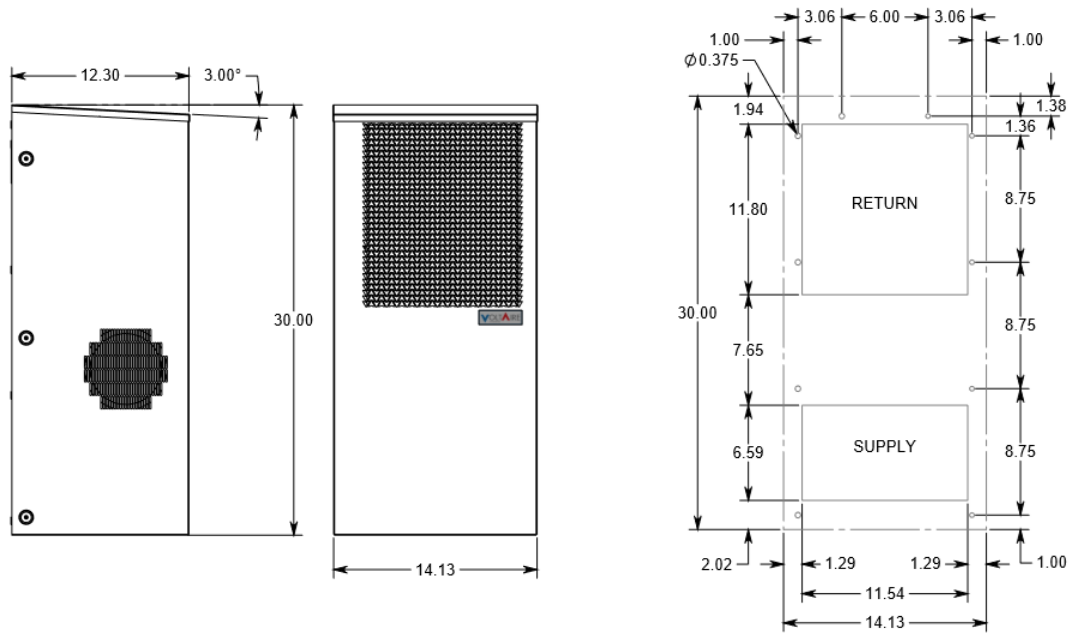
**Website:**  
www.voltairesys.com

**Phone:**  
(407) 378-7482

**Address:**  
2900 W. Orange Ave. Ste. 100  
Apopka, FL 32703

**VoltAire Doc. #CC1019A**  
Published: August 5, 2019

**Mounting Diagrams – Overall Dimensions and Cabinet Cutouts**



**AN04**

**Performance**

