

OD Series

OD-50DDC



Why Choose the OD Series?

The OD series of enclosures are the ultimate choice for your outdoor racking requirements. Being made of our own rugged, Alumiflex®, you'll find it noticeably lighter than steel, yet strong enough to rack even the heaviest equipment. When choosing the OD series, you have handpicked the highest value in American construction. The OD-50DDC includes the standard features you have come to expect with DDB, incorporating the versatile strut system for adjustable racking, the security of a 3-point locking system and our patented Alumishield® solar cap to manage heat loads. For those who need more than just our standard enclosure, DDB can also make a truly customized solution with our many available options including HVAC; providing a climate-controlled environment for any electronic equipment, electrical load panels and cable entry solutions to name a few. All of this comes together to create an enclosure able to meet all of the unique needs our customers have been seeking. DDB offers a state-of-the-art design, a competitive price, benchmark lead times and a guaranteed delivery, all backed up with an industry leading 15-year warranty on every enclosure. Put DDB's substantial stock to work for you today. Contact our professional staff to assist you with your made-to-order solution.



Features

- 0.125" Aluminum Construction
- Stainless Steel External Hardware/Hinge
- 3 Point Lock System
- Heavy Duty Out-Door Construction
- Front and Rear Access
- Custom Colors Available
- Cream and Red Powder-Coat in Stock
- Flexible and Scalable
- 15 Year Warranty
- Quick Shipping

Application Types

- Telecommunications
- Wireless/Broadband
- Fiber Optics
- Back Haul
- Small Cell/DAS
- Public Safety
- Utility
- Base Station
- Military
- Trailer-Based Communications
- Wi-Fi
- LTEE/4G/5G



Industry Standards:

- NEMA 3R as shown
- NEMA 4 and 4X configurable (unlisted to environmental rating)
- OD Series Listed to UL 50/50E Type 4 Available**
- ETL listed to UL Standard 60950-1/CSA 22.2C

2301 S. HWY 77 Pauls Valley, OK 73075

T: (800) 753-8459 – F: (877) 220-7236

sales@ddbunlimited.com www.ddbunlimited.com

Weight and Dimensions

Approximate Exterior Enclosure Dimensions:

51"H x 28"W x 39"D

Shipping Dimensions:

32"W x 42"L - Palletized

Approximate Shipping Weight:

196 lbs.

OD Series

OD-50DDC



Features

1. Solar Shield (Alumishield)
2. Front and Rear 19" Adjustable Racking Rails
3. Rear Access Door
4. Stainless Steel Door Hinge
5. 3 Point Locking System
6. Powder-Coat Cream
7. Reusable Vent Filters

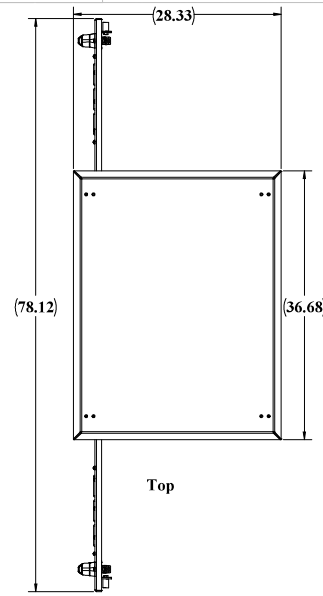
2301 S. HWY 77 Pauls Valley, OK 73075

T: (800) 753-8459 – F: (877) 220-7236

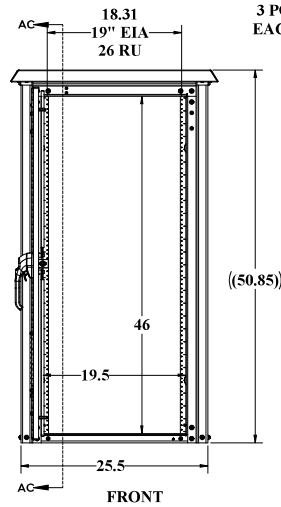
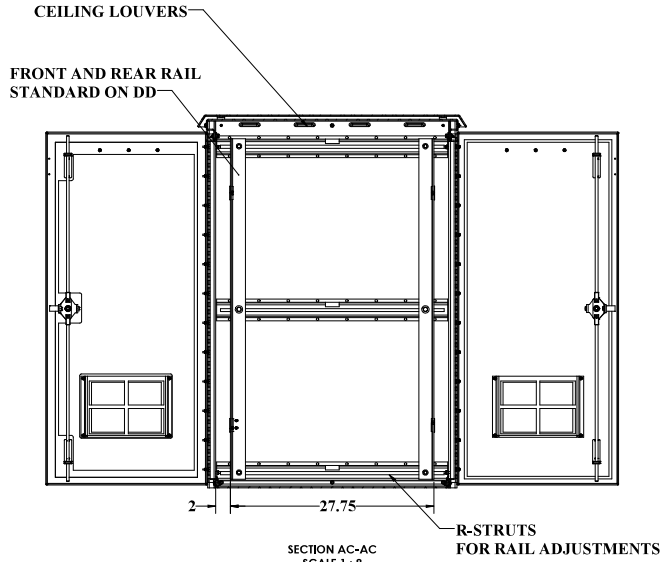
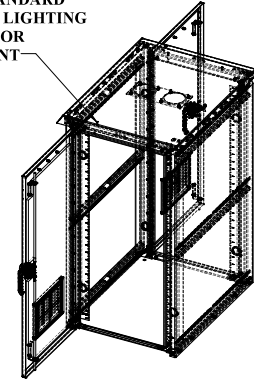
sales@ddbunlimited.com www.ddbunlimited.com

WEB DRAWING (NOT FOR FABRICATION)

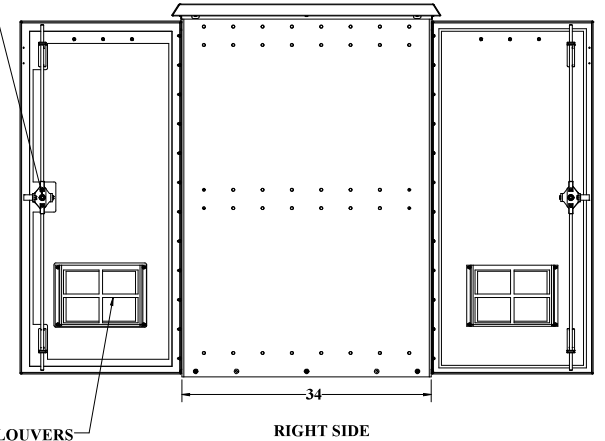
REVISIONS		
REV.	DESCRIPTION	DATE
A	Web Drawing per DR-00425	11/15/2011
B	Add new components and DWG template to WEB DWG per DR-00921	5/12/2014
C	UPDATED TO NEW 2019 TEMPLATES	3/1/2019



STANDOFFS STANDARD FOR OPTIONAL LIGHTING OVER EACH DOOR REAR AND FRONT



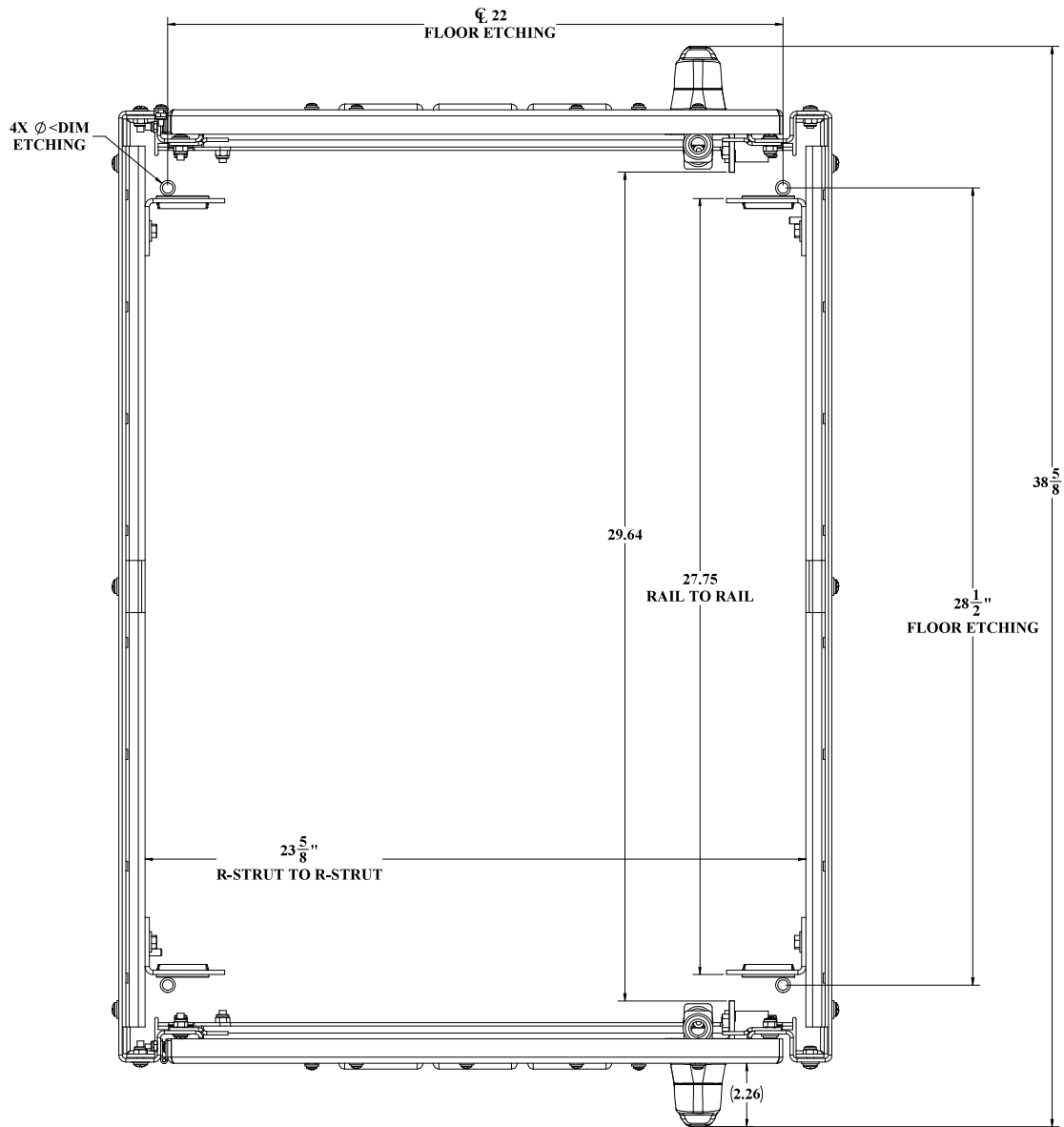
3 POINT LOCKING EACH DOOR



WEB DRAWING (NOT FOR FABRICATION)

UNLESS OTHERWISE SPECIFIED:			NAME	DATE	DDB Unlimited Inc.			
COMPONENTS AND FITTINGS	Model No.	0008	11/15/11	OD Family Engineers				
APPLICABLE STANDARDS	Drawn By	Mac-v-s	05/01/19	Inchouze, OD, 50, DDB				
ASSEMBLY INSTRUCTIONS	Part No.	0008						
FINISHES AND COATINGS	Part No.	0008						
FASTENERS AND HARDWARE	Part No.	0008						
SALES REPRESENTATIVE	Sales Rep./w/ Company	14/16/11		SHE	Cage Code:	DWG. NO.:	REV	
QUALITY CONTROL	Q.A. Appr.	10/1/11		D	38515	00427	C	
PRODUCTION	Prod. Mgr.	09/10/10		SCALE: 1:32 WEBSITE: 1-800-855-1111				
MATERIALS: OPERATING INSTRUCTIONS	Part No.	0008		SHEET: 01/3				
FASTENERS: HARDWARE AND COATINGS	Part No.	0008						

WEB DRAWING (NOT FOR FABRICATION)



TOP VIEW CEILING AND ALUMASHIELD NOT SHOWN

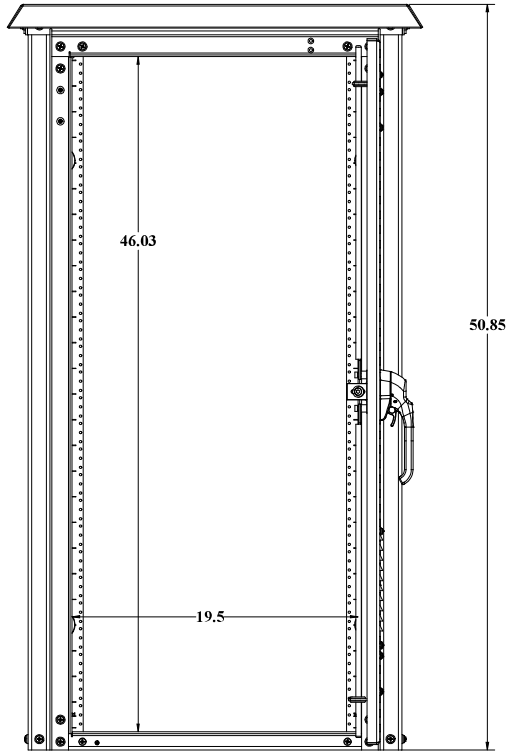
WEB DRAWING (NOT FOR FABRICATION)

UNLESS OTHERWISE SPECIFIED:		NAME	DATE	DDB Unlimited Inc.		
EXTENSION LINE OR POINT	Model No:	0008	11/11/13	OD Family Enclosures		
APPROXIMATE DIMENSIONS	Drawn By:	Maxwell	09/03/10	OD Family Enclosures, EEO, Closed		
SIZE AND DIMENSIONS	Scale:	Revised	11/16/11			
DATE OF DIMENSIONS	Q.A. Appr:	10/01/10	01/08/10	SHEET	CAGE CODE:	DWG. NO.:
DATE OF DIMENSIONS	Prof. Mgr.:	09/30/10	09/30/10	D	88515	00427
MATERIAL: 6061-T6 ALUMINUM EXTRUSION	Checked By:			SCALE:	1:32	WEIGHT:
FINISH: ANODIZED ALUMINUM						SHEET 2 OF 3

THE INFORMATION CONTAINED IN THIS DRAWING IS THE SOLE PROPERTY OF DDB Unlimited, INC. ANY REPRODUCTION IN PART OR AS A WHOLE WITHOUT THE WRITTEN PERMISSION OF DDB Unlimited, INC. IS PROHIBITED.

DDB FORM 7.1-2 REV. 02/11/19

WEB DRAWING (NOT FOR FABRICATION)



BACK VIEW GASKET NOW SHOWN

WEB DRAWING (NOT FOR FABRICATION)

UNLESS OTHERWISE SPECIFIED:		NAME	DATE	DDB Unlimited Inc.		
DIMENSIONS ARE IN INCHES		Model by:	0508	OD Family Endnotes		
APPROVAL	#104	Drawn by:	Maxus	Inches: O.D, S.D		
REVISED	#105	Sales Rep/Comp	14/16/11	SHE	Cage Code:	DWG. NO.:
FOR CONSTRUCTION	#106	Q.A. Appr:	189	01/08/10	38515	00427
FOR FABRICATION	#107	Prod.Mgr:	Chad	09/10/10	D	C
FOR FIELD USE	#108	Checked by:		SCALE: 1:32	WEIGHT:	SHEET 3 OF 3
MATERIAL: 304 STAINLESS STEEL-48162431046						
FINISH: ANNEAL						
DO NOT SCALE DRAWING						

THE INFORMATION CONTAINED IN THIS DRAWING IS THE SOLE PROPERTY OF DDB Unlimited, INC. ANY REPRODUCTION IN PART OR AS A WHOLE WITHOUT THE WRITTEN PERMISSION OF DDB Unlimited, INC. IS PROHIBITED.

DDB FORM 7.1-2 REV.F 02/11/19