



An ISO9001  
Certified company

# OD Series

## OD-62DDC

Made in America



Believing in American  
Craftsmanship



## Why Choose the OD Series?

The OD series of enclosures are the ultimate choice for your outdoor racking requirements. Being made of our own rugged Alumiflex®, you'll find it noticeably lighter than steel, yet strong enough to rack even the heaviest equipment. When choosing the OD series, you have handpicked the highest value in American construction. The OD-62DDC includes the standard features you have come to expect with DDB, incorporating the versatile strut system for adjustable racking, the security of a 3-point locking system and our patented Alumishield® solar cap to manage heat loads. For those who need more than just our standard enclosure, DDB can also make a truly customized solution with our many available options including HVAC, providing a climate-controlled environment for any electronic equipment, electrical load panels and cable entry solutions to name a few. All of this comes together to create an enclosure able to meet all of the unique needs our customers have been seeking. DDB offers a state-of-the-art design, a competitive price, benchmark lead times and a guaranteed delivery, all backed up with an industry leading 15-year warranty on every enclosure. Put DDB's substantial stock to work for you today. Contact our professional staff to assist you with your made-to-order solution.



## Features

- 0.125" Aluminum Construction
- Stainless Steel External Hardware/Hinge
- 3 Point Lock System
- Heavy Duty Out-Door Construction
- Front and Rear Access
- Custom Colors Available
- Cream & Red Powder-Coat in Stock
- Flexible and Scalable
- 15 Year Warranty
- Quick Shipping

## Application Types

- Telecommunications
- Wireless/Broadband
- Fiber Optics
- Back Haul
- Small Cell/DAS
- Public Safety
- Utility
- Base Station
- Military
- Trailer-Based Communications
- Wi-Fi
- LTEE/4G/5G



## Industry Standards:

- NEMA 3R as shown
- NEMA 4 and 4X configurable (unlisted to environmental rating)
- OD Series Listed to UL 50/50E Type 4 Available**

## Weight and Dimensions

- Approximate Exterior Enclosure Dimensions:  
63"H x 28"W x 39"D
- Shipping Dimensions:  
32"W x 42"L- Palletized
- Approximate Shipping Weight:  
207 lbs.

2301 S. HWY 77 Pauls Valley, OK 73075

T: (800) 753-8459 – F: (877) 220-7236

[sales@ddbunlimited.com](mailto:sales@ddbunlimited.com) [www.ddbunlimited.com](http://www.ddbunlimited.com)

# OD Series

## OD-62DDC



### Features

1. Solar Shield (Alumishield)
2. Front and Rear 19" Adjustable Racking Rails
3. Rear Access Door
4. Stainless Steel Door Hinge
5. 3 Point Locking System
6. Powder-Coat Cream
7. Reusable Vent Filters

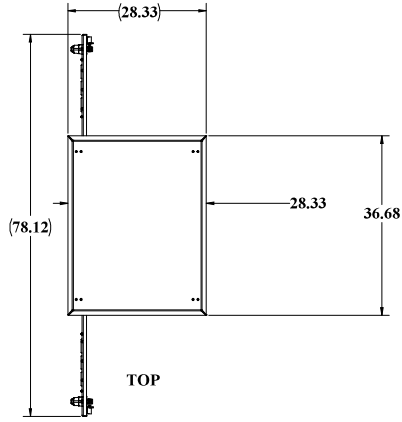
2301 S. HWY 77 Pauls Valley, OK 73075

T: (800) 753-8459 – F: (877) 220-7236

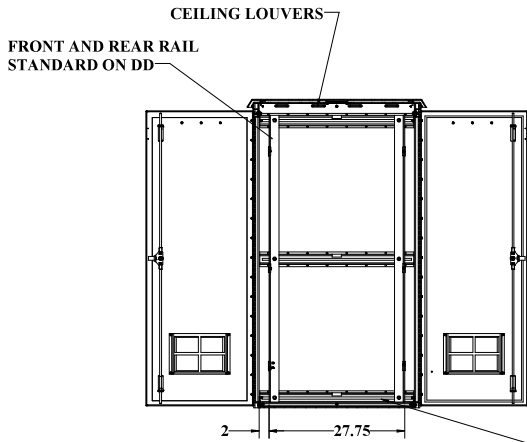
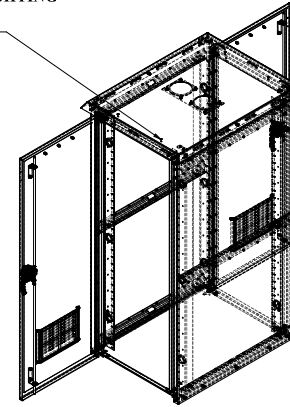
[sales@ddbunlimited.com](mailto:sales@ddbunlimited.com) [www.ddbunlimited.com](http://www.ddbunlimited.com)

WEB DRAWING (NOT FOR FABRICATION)

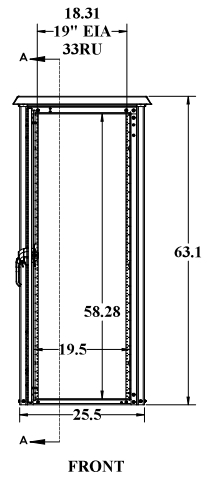
REVISIONS		
REV.	DESCRIPTION	DATE
A	Web Drawing per DR-00425	11/15/2011
B	Add new components and DWG template to WEB DWG per DR-00924	5/12/2014
C	UPDATED TO 2019 FORMAT	3/4/2019



STANDOFFS STANDARD FOR OPTIONAL LIGHTING OVER EACH DOOR FRONT AND REAR

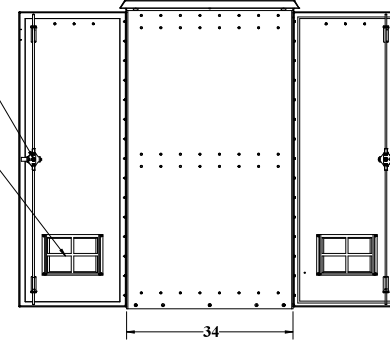


R-STRUTS FOR RAIL ADJUSTMENTS



3 POINT LOCKING EACH DOOR

FILTERED LOUVERS

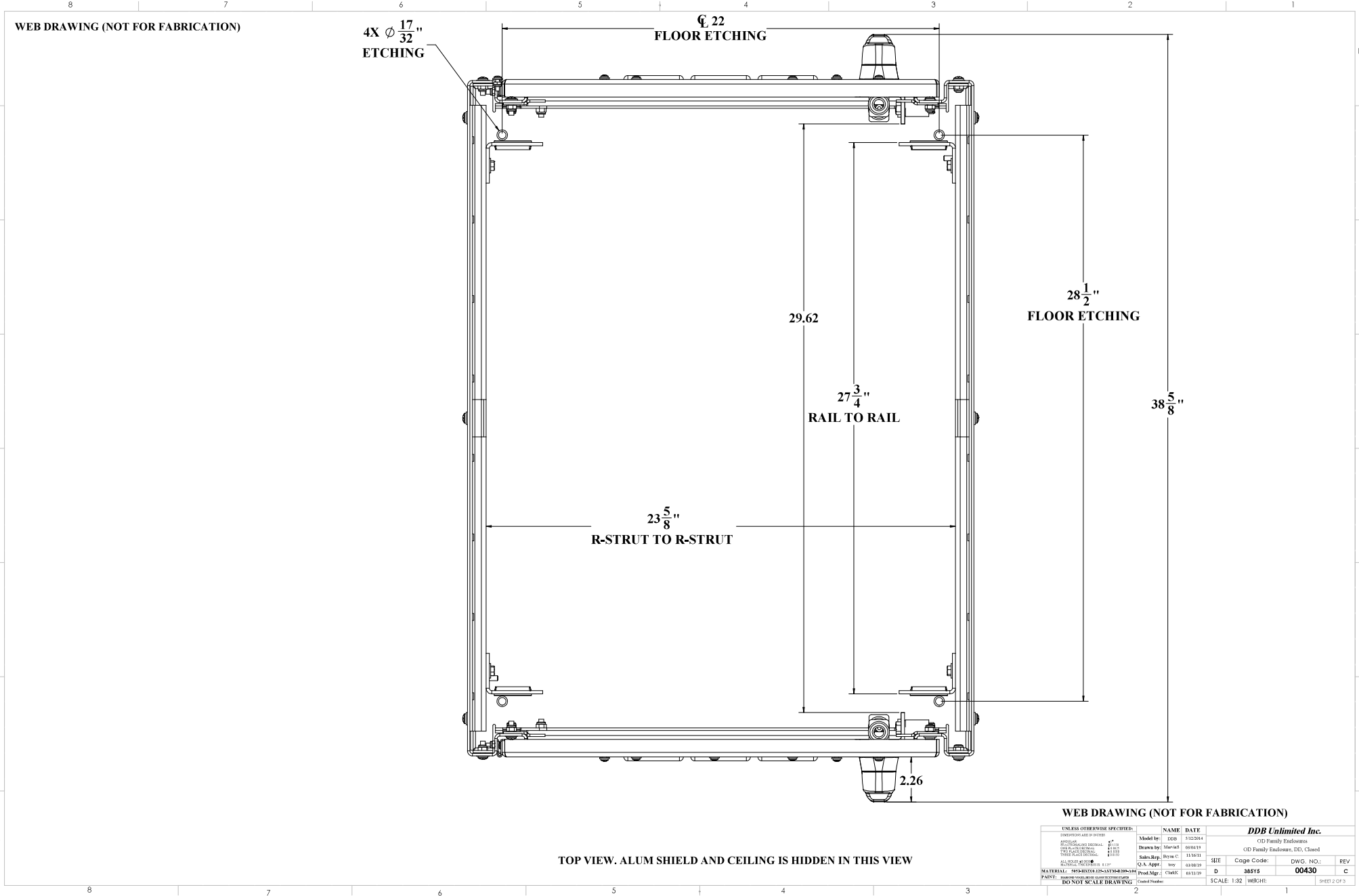


WEB DRAWING (NOT FOR FABRICATION)

UNLESS OTHERWISE SPECIFIED:		NAME	DATE	DDB Unlimited Inc.		
CONSTRUCTION LINE OR STYLE	Model by:	0008	11/15/2011	OD Family End-users		
ARTICLE NO.	Drawn by:	Man-05	09/04/10	Inches: 0, 62, DDB		
REV. NO. AND DESCRIPTION	Scale-Rep:	Boys C	11/16/11	SHEET	CAGE CODE:	DWG. NO.:
DATE OF LAST REVISION	Q.A. Appr:	109	01/08/13	D	38515	00430
QUANTITY	Prod.Mgr.:	Ch665	09/10/10	SCALE: 1:32		WEIGHT: 174 lbs.
MATERIAL: 304 STAINLESS STEEL 1/2" THICK	Formed From:			SCALE: 1:32		WEIGHT: 174 lbs.
FINISH: POLISHED	DO NOT SCALE DRAWING			SCALE: 1:32		WEIGHT: 174 lbs.

THE INFORMATION CONTAINED IN THIS DRAWING IS THE SOLE PROPERTY OF DDB Unlimited, INC. ANY REPRODUCTION IN PART OR AS A WHOLE WITHOUT THE WRITTEN PERMISSION OF DDB Unlimited, INC. IS PROHIBITED.

DDB FORM 7.1-2 REV.F 02/11/19



WEB DRAWING (NOT FOR FABRICATION)

4X Ø 17/32"  
ETCHING

ϕ 22  
FLOOR ETCHING

28 1/2"  
FLOOR ETCHING

29.62

27 3/4"  
RAIL TO RAIL

23 5/8"  
R-STRUT TO R-STRUT

38 5/8"

2.26

WEB DRAWING (NOT FOR FABRICATION)

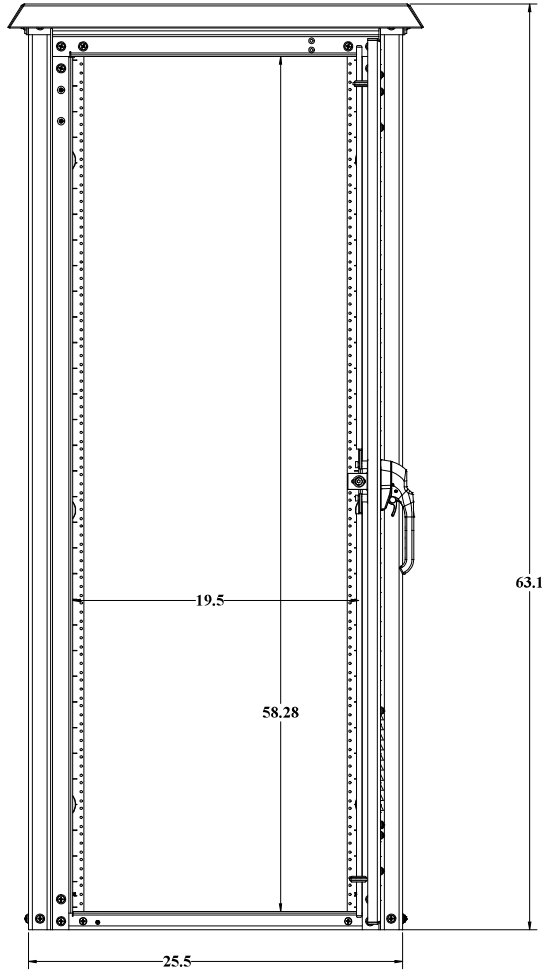
TOP VIEW. ALUM SHIELD AND CEILING IS HIDDEN IN THIS VIEW

UNLESS OTHERWISE SPECIFIED:		NAME	DATE	<b>DDB Unlimited Inc.</b>			
EMERGENCY USE ONLY	Model No.:	0038	1-23-2018	OD Family Enclosures			
APPROVAL	Drawn By:	Mano C	09/04/19	OD Family Enclosures, DED, Closed			
DESIGNED	Checked By:	Mano C	09/04/19				
DATE OF DESIGN	Sales Rep.:	Boyan C	11/16/11	SHE	Cage Code:	DWG. NO.:	REV
DATE OF MANUFACTURE	Q.A. Appr.:	199	01/08/19	D	38515	00430	C
DATE OF INSTALLATION	Prod. Mgr.:	ChafK	09/10/19				
DATE OF INSPECTION	Checked By:			SCALE: 1:32 WGH:11			
DATE OF REVISION	DO NOT SCALE DRAWING			SHEET 2 OF 3			

DDB FORM 7.1-2 REV. 02/11/19

THE INFORMATION CONTAINED IN THIS DRAWING IS THE SOLE PROPERTY OF DDB Unlimited, INC. ANY REPRODUCTION IN PART OR AS A WHOLE WITHOUT THE WRITTEN PERMISSION OF DDB Unlimited, INC. IS PROHIBITED.

WEB DRAWING (NOT FOR FABRICATION)



BACK VIEW GASKET NOW SHOWN

WEB DRAWING (NOT FOR FABRICATION)

UNLESS OTHERWISE SPECIFIED:		NAME	DATE	DDB Unlimited Inc.		
DIMENSIONS ARE IN INCHES	Model by:	MOB	1-21-2014	OD Family Endswires		
APPROVAL	Drawn by:	Manus	09/04/19	Inches: 0/0, 62, D/D		
FOR WORKING	Sales Rep:	Boyc C	11/06/11	SHE	Cage Code:	DWG. NO.:
FOR CONSTRUCTION	Q.A. Appr:	BY	01/08/19	D	38515	00430
FOR FIELD USE	Prod. Mgr.:	Chick	09/10/19	REV		C
MATERIAL: 304 STAINLESS STEEL 1/8" THICK	Checked by:			SCALE: 1:32	WEIGHT:	SHEET 3 OF 3
FABRICATION: <a href="http://www.ddbunlimited.com">www.ddbunlimited.com</a>						
DO NOT SCALE DRAWING						

THE INFORMATION CONTAINED IN THIS DRAWING IS THE SOLE PROPERTY OF DDB Unlimited, INC. ANY REPRODUCTION IN PART OR AS A WHOLE WITHOUT THE WRITTEN PERMISSION OF DDB Unlimited, INC. IS PROHIBITED.

DDB FORM 7.1-2 REV.F 02/11/19