

5G-LTE Enclosure

Why Choose the 5G-LTE Series?

The 5G-LTE series enclosure is the new evolution and standard for outdoor equipment racking applications. Being constructed of our Alumiflex® material, you'll find it noticeably lighter than steel, yet strong enough to rack even the heaviest equipment. We have taken everything that was great about the LTEE and made it better. With the 5G-LTE, you will continue to find all the standard features you need including HVAC climate control, electrical load panel and side spool cabinet, but we didn't stop there. We have added extra battery support for the increasing needs of battery backup, reversable 19" or 23" rack rails using our versatile "R-strut system" and improved the security and sealing ability of the 3-point locking system to give greater security and weather protection making this a superb battery enclosure. Again, and again, DDB leads the way with advanced design and features that just work. All while being the most competitively priced and readily available enclosure on the market. Put DDB's substantial stock to work for you today. Contact our professional staff to assist you with your made-to-order solution.



Application Types

- Telecommunications
- Wireless/Broadband
- Fiber Optics
- Back Haul
- Public Safety
- Utility
- Base Station
- Military
- Wi-Fi
- LTEE/4G/5G

Industry Standards:

- NEMA 4 (Top Compartment)(Unlisted)
- NEMA 3R (Battery Compartment)(Unlisted)
- ETL listed to UL Standard 60950-1/CSA 22.2C

2301 S. HWY 77 Pauls Valley, OK 73075
T: (800) 753-8459 – F: (877) 220-7236

sales@ddbunlimited.com www.ddbunlimited.com



Features

- 0.125" Aluminum Construction
- Stainless Steel External Hardware/Hinge
- 3 Point Lock System
- Heavy Duty Out-Door Construction
- Front and Rear Access
- Flexible and Scalable
- 15 Year Warranty
- Quick Shipping

Weight and Dimensions

- Approximate Exterior Enclosure Dimensions:
81"H x 30"W x 34"D
- Shipping Dimensions:
50"W x 60"L - Decked Pallet
- Approximate Shipping Weight:
550 lbs.

5G-LTE Enclosure



Features

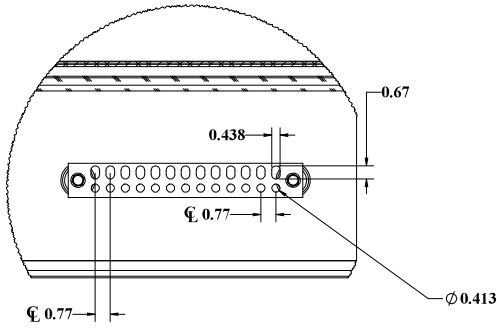
1. Solar Shield (Alumishield)
2. 2 Sets - 19" or 23" Reversible Adjustable Racking Rails
3. Electrical Outlet
4. 3 Point Locking System
5. Powder Coat White
6. Battery Compartment
7. 4000 BTU HVAC
8. Spool-Up Box
9. 8 Space 100 AMP LC w/ 50 AMP Gen Plug

2301 S. HWY 77 Pauls Valley, OK 73075
T: (800) 753-8459 – F: (877) 220-7236

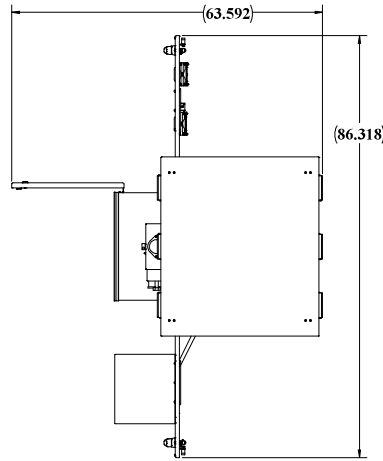
sales@ddbunlimited.com www.ddbunlimited.com

WEB DRAWING (NOT FOR FABRICATION)

REVISIONS		
REV.	DESCRIPTION	DATE
A	WEBSITE DRAWING FOR 5G-LTE	1/9/2020

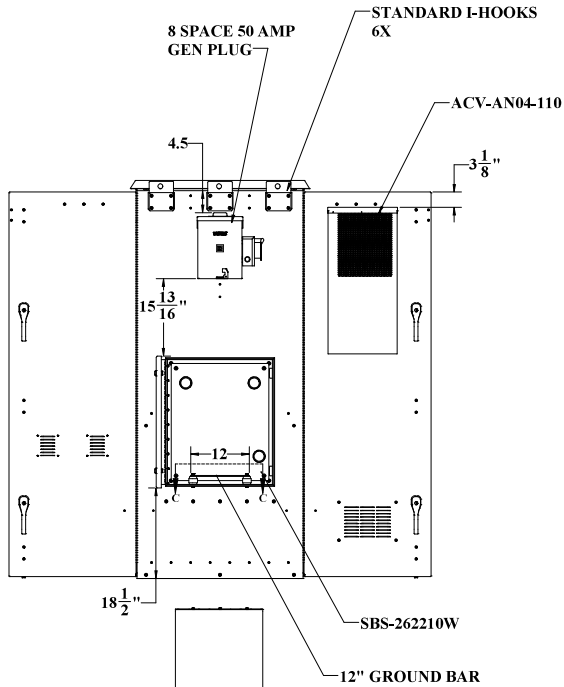
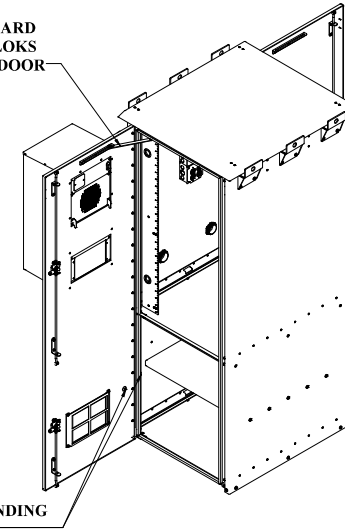


DETAIL D
SCALE 1:3



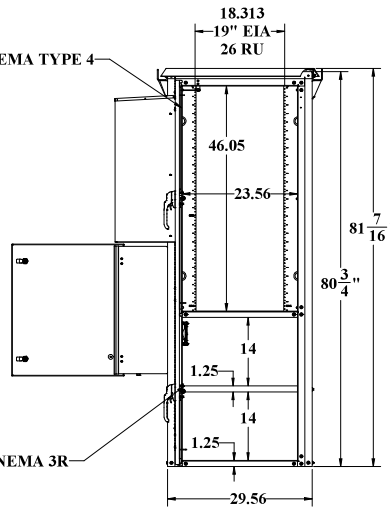
STANDARD WINDLOKS EACH DOOR

GROUNDING STUD



NEMA TYPE 4

NEMA 3R

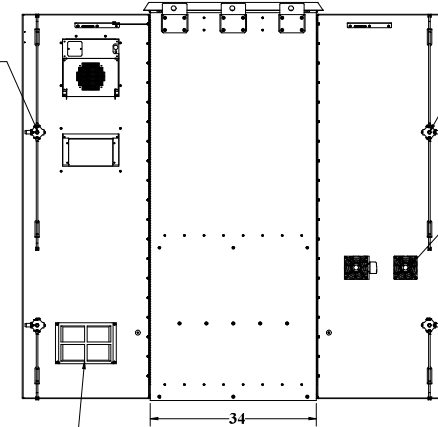


3 POINT LOCKING

3 POINT LOCKING

48 VOLT FANS

VENTS WITH FILTERS



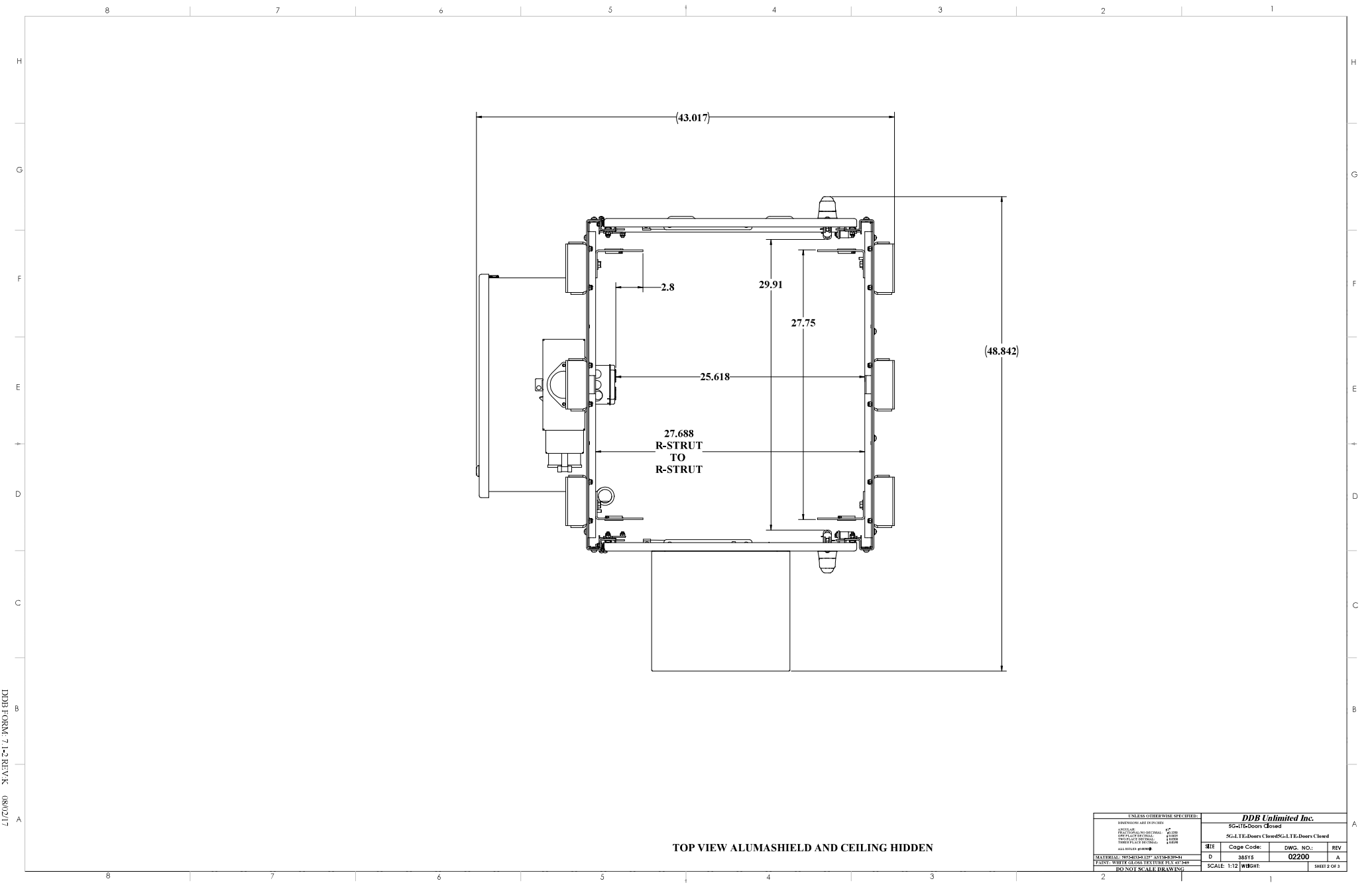
WEB DRAWING (NOT FOR FABRICATION)

UNLESS OTHERWISE SPECIFIED:		NAME	DATE	DDB Unlimited Inc.			
DIMENSIONS ARE IN INCHES	Model No.:	5008		504-TE			
APPROVAL	Drawn By:	Manus	01/09/20	SCALE:			
DESIGN CHECK	Checked By:	Manus					
FIELD CHECK	Field Check:						
THREE PLACE DECIMAL	Sales Rep./w/ Copyright			SITE	Cage Code:	DWG. NO.:	REV
	Q.A. Appr:	alsHm	01/09/20	D	38515	02200	A
	Prod.Mgr.:	Ch665	01/09/20	SCALE: 1:12		WEK-RT: 347 lbs.	SHEET 1 OF 3
MATERIAL: 304 STAINLESS STEEL SHEET/304HAT	Paint/Finish:						
FANS: 48VDC 48VDC 100% DUTY							
DO NOT SCALE DRAWING							

SECTION C-C

UNCLASSIFIED PUBLIC

DDB FORM 7.1-2 REV. 05/02/19



TOP VIEW ALUMASHIELD AND CEILING HIDDEN

UNLESS OTHERWISE SPECIFIED:			
DIMENSIONS ARE IN INCHES			
FINISH	1"	1/8"	1/16"
DRILLING	1/8"	1/4"	3/8"
TAPPING	1/8"	1/4"	3/8"
THREADS	1/8"	1/4"	3/8"
ALL OTHERS	1/8"	1/4"	3/8"
MATERIALS SPECIFIED BY ATTACHED DWG			
PAINT: WHITE GLOSS TEXTURE FLY 115 540			
DO NOT SCALE DRAWING			
DDB Unlimited Inc.			
Scale: 1:12			
REV	Code Code:	DWG. NO.:	REV
D	28515	02200	A
SCALE: 1:12 WEIGHT:			SHEET 2 OF 3

UNCLASSIFIED - PUBLIC

DDB FORM 7.1-2 REV. A 08/02/17

