

# SB Series

## SB-24168



## Why Choose the SB Series?

The SB series, outdoor enclosure, is the ultimate choice for your indoor/outdoor requirements. Being made of our own rugged Alumiflex®, you'll find it noticeably lighter than steel, yet strong enough to support even the heaviest equipment. When choosing the SB series, you are selecting the highest value in American construction. It is ideal for both indoor and outdoor applications. Due to the flexible platform, the SB can be utilized as an electrical panel, battery storage, or communication cabinet as well as other numerous applications. The SB series includes standard features you have come to expect, including a standard back plate, key locks, and various mounting bracket types. Additional optional accessories that can be added to enhance functionality include climate controls, venting options, and electrical/cable entry solutions. DDB offers, a state-of-the-art design, a competitive price, and a guaranteed delivery with benchmark lead times. Contact our professional staff to assist with your design today.



## Application Types

- Telecommunications
- Wireless/Broadband
  - Fiber Optics
  - Small Cell/DAS
- Public Safety
- Utility
- Military
- Trailer-Based Communications
  - Wi-Fi
- Video/Monitoring
- Oil/Gas
- Control Panels

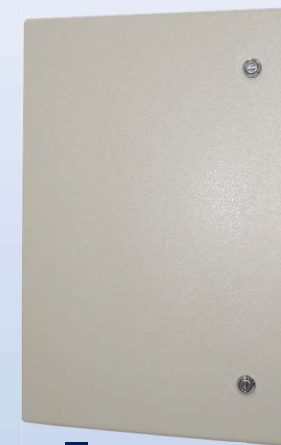
## Industry Standards:

- NEMA 4 (Unlisted to Environmental Rating)  
(As Shown)
- UL 508A, Industrial Control Panels, UL 50  
Type 4 (Listed)

2301 S. HWY 77 Pauls Valley, OK 73075

T: (800) 753-8459 – F: (877) 220-7236

[sales@ddbunlimited.com](mailto:sales@ddbunlimited.com) [www.ddbunlimited.com](http://www.ddbunlimited.com)



## Features

- .125" Aluminum Construction
- Stainless Steel External Hardware/Hinge
- Aluminum Removable Back-Plate
- Cream Powder Coat
- Custom Colors Available
- Flexible and Scalable
- 15 Year Warranty
- Quick Shipping

## Weight and Dimensions

Approximate Exterior Dimensions:

24"H x 16"W x 8"D

Shipping Dimensions:

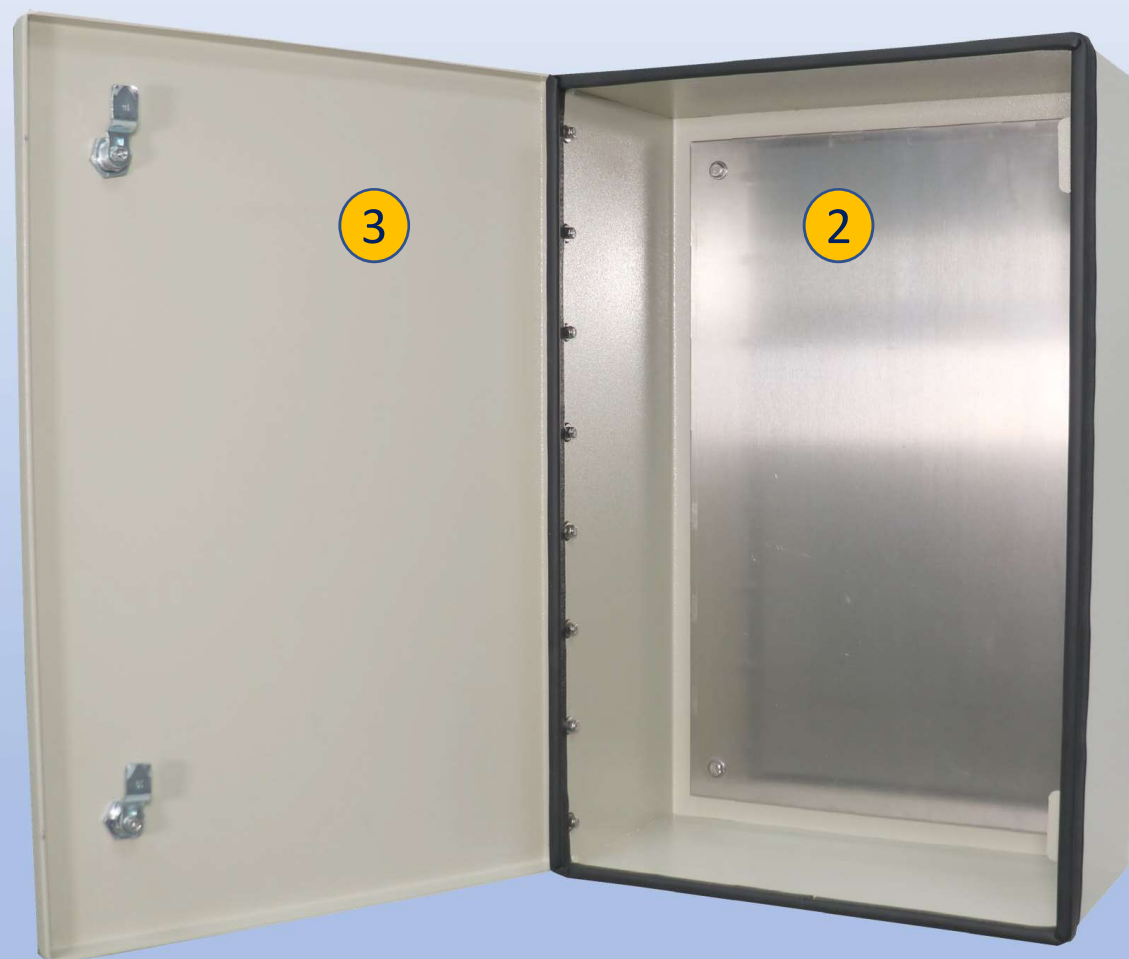
36" x 24" x 20"- Boxed

Approximate Shipping Weight:

40 lbs

# SB Series

## SB-24168



### Features

1. Key Lock Latch
2. Removable Aluminum Backplate
3. Powder-Coat Cream

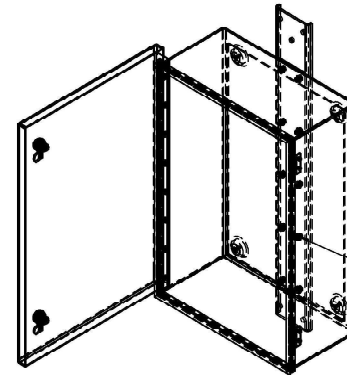
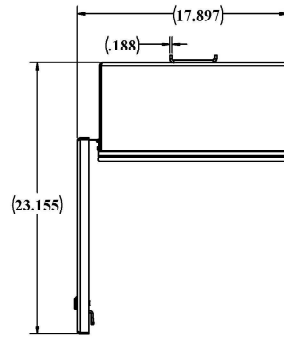
2301 S. HWY 77 Pauls Valley, OK 73075

T: (800) 753-8459 – F: (877) 220-7236

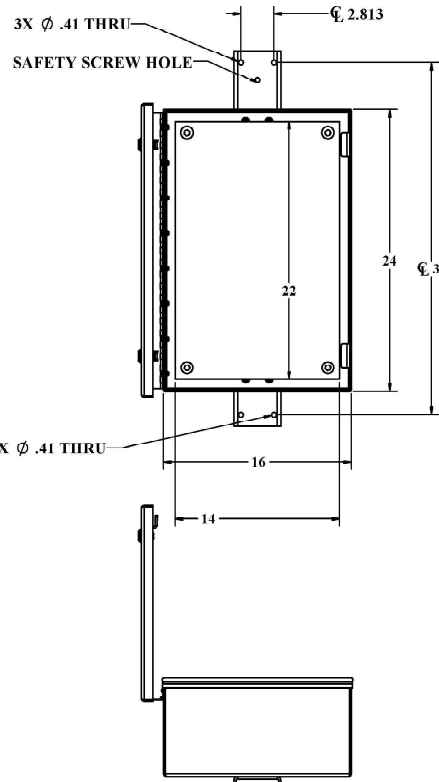
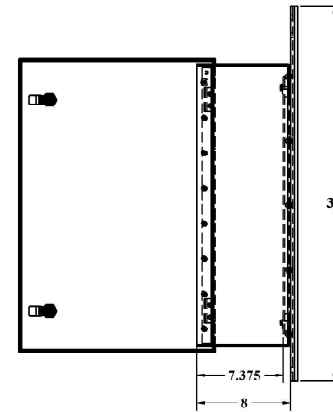
[sales@ddbunlimited.com](mailto:sales@ddbunlimited.com) [www.ddbunlimited.com](http://www.ddbunlimited.com)

WEB DRAWING (NOT FOR FABRICATION)  
USE DUAL DIMENSIONS MM AND IN.

REVISIONS		
REV.	DESCRIPTION	DATE
A	WEBSITE DRAWING	6/11/2014
B	UPDATED NEW WEBSITE DWG PER DR-01392	5/9/16
C	ADDED MOUNTING BRACKET TO DRAWING.	7/9/2018



MOUNTING PLATE SECURED WITH 1/4"-20 X 5/8" PHILLIPS DRIVE 100° FLAT HEAD GRADE 18-8 STAINLESS STEEL MACHINE SCREW.



QUARTER TURN LOCKING

NOTES: UNLESS OTHERWISE SPECIFIED

- DIMENSIONS AND TOLERANCES ARE IN ACCORDANCE WITH ASME Y14.5M
- DIMENSIONS ARE IN INCHES UNLESS OTHERWISE SPECIFIED
- THIS IS A SUPPLEMENTAL DRAWING AND MAY NOT BE FULLY DIMENSIONED
- THE NOTES, TOLERANCES, AND SPECIAL INSTRUCTIONS ARE TO BE USED ALONG WITH THE LATEST REVISION OF THE SOLID DATABASE. THE PART OR ASSEMBLY IS TO BE CONTROLLED PER THE ELECTRONIC FILE.
- ALL PEM STUDS SHALL BE STAINLESS STEEL UNLESS OTHERWISE SPECIFIED.
- ALL EXTERIOR WASHERS SHALL BE AZTEC SEALING WASHERS.
- THE FOLLOWING WEATHER STRIPPING SHALL BE USED FOR THE FOLLOWING APPLICATIONS:  
DOOR LIP - TRIMLOCK 300000000  
FAN PLATES - STICKERITE 17605  
AC - 3 - STICKERITE 17605
- FASTENERS AND NUTS SHALL HAVE SECURITY MEANS FOR ALL EXTERIOR HARDWARE
- SYMBOLS DENOTES CRITICAL DIMENSIONS AND MUST BE INSPECTED.
- PERMANENT DIMENSIONS REFERENCE DIMENSIONS ONLY.
- REMOVE ALL BURRS AND SHARP EDGES 0.025" MAX RADIUS OR CHAMFER
- DO NOT DEBURR PRESS FIT HOLES
- DIMENSIONS SHALL APPLY AFTER ALUMINE, PAINT, FINISH, OR COAT IS APPLIED
- INSTALL PRESS FIT STUDS, STUDS, AND NUTS IN ACCORDANCE WITH THE MANUFACTURER'S SPECIFICATIONS
- ALL OPEN HOLES SHALL BE PROTECTED WITH APPLICABLE HARDWARE
- RENDER PART WITH PART NUMBER, REVISION LETTER AND SERIAL NUMBER
- FINISHED PART TO BE FREE OF OILS, LUBRICANTS, AND OTHER CONTAMINANTS
- NO NYLON LOCK NUTS TO BE USED ON ANY PEM STUDS UNLESS OTHERWISE SPECIFIED
- ALL PEM STUDS WILL BE SECURED WITH EXTERNAL TOOTH WASHER AND STANDARD NUTS.
- TOLERANCES UNLESS OTHERWISE SPECIFIED:  
a. HOLE SIZE:  
b. HOLE TO HOLE -- 0.003"  
c. HOLE TO EDGE -- 0.010"  
d. HOLE TO FOLD -- 0.015"  
e. HOLE TO FOLD -- 0.020"

SB-24168 SHOWN



UNLESS OTHERWISE SPECIFIED		NAME	DATE
Model by:	JDH	6/11/14	
Drawn by:	Mac-vick	4/18/15	
Sales/Region/Complete	Q.A. Appr.:	Zoo	8/11/18

DDDB Unlimited Inc.			
SB-24168 (Vertical mounted)			
SB-24148 (Vertical mounted)			
SHEET	Crage Code:	DWG. NO.:	REV.
D	SB55	00869	C
SCALE: 1:4		WDC/H: lba.	SHEET 1 OF 1

DDDB UNLIMITED INC. AND ITS SUBSIDIARIES. THE INFORMATION CONTAINED IN THIS DRAWING IS THE SOLE PROPERTY OF DDDB UNLIMITED INC. ANY REPRODUCTION IN PART OR AS A WHOLE WITHOUT THE WRITTEN PERMISSION OF DDDB UNLIMITED INC. IS PROHIBITED.

DDDB FORM 7.1-2 REV. 08/02/17