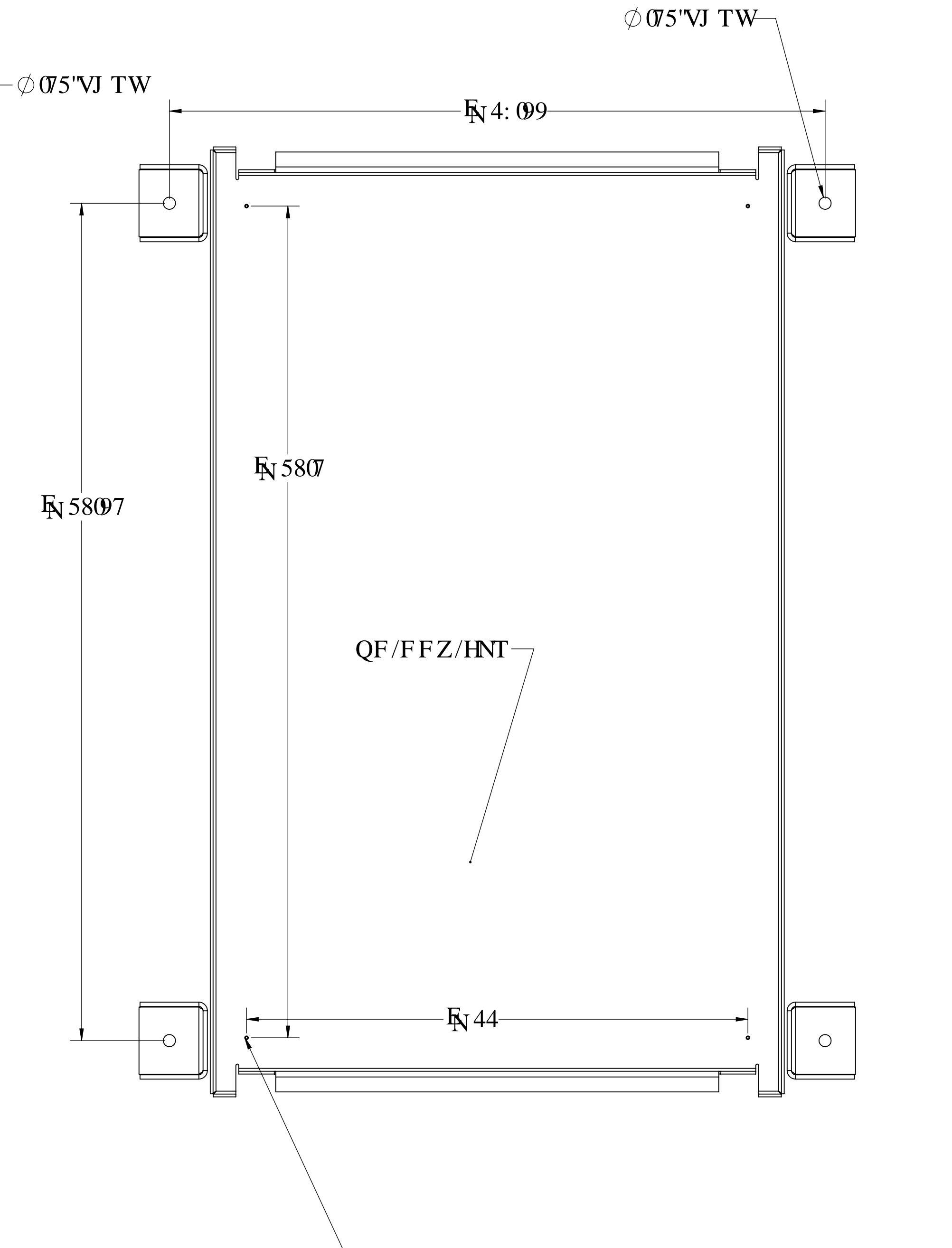
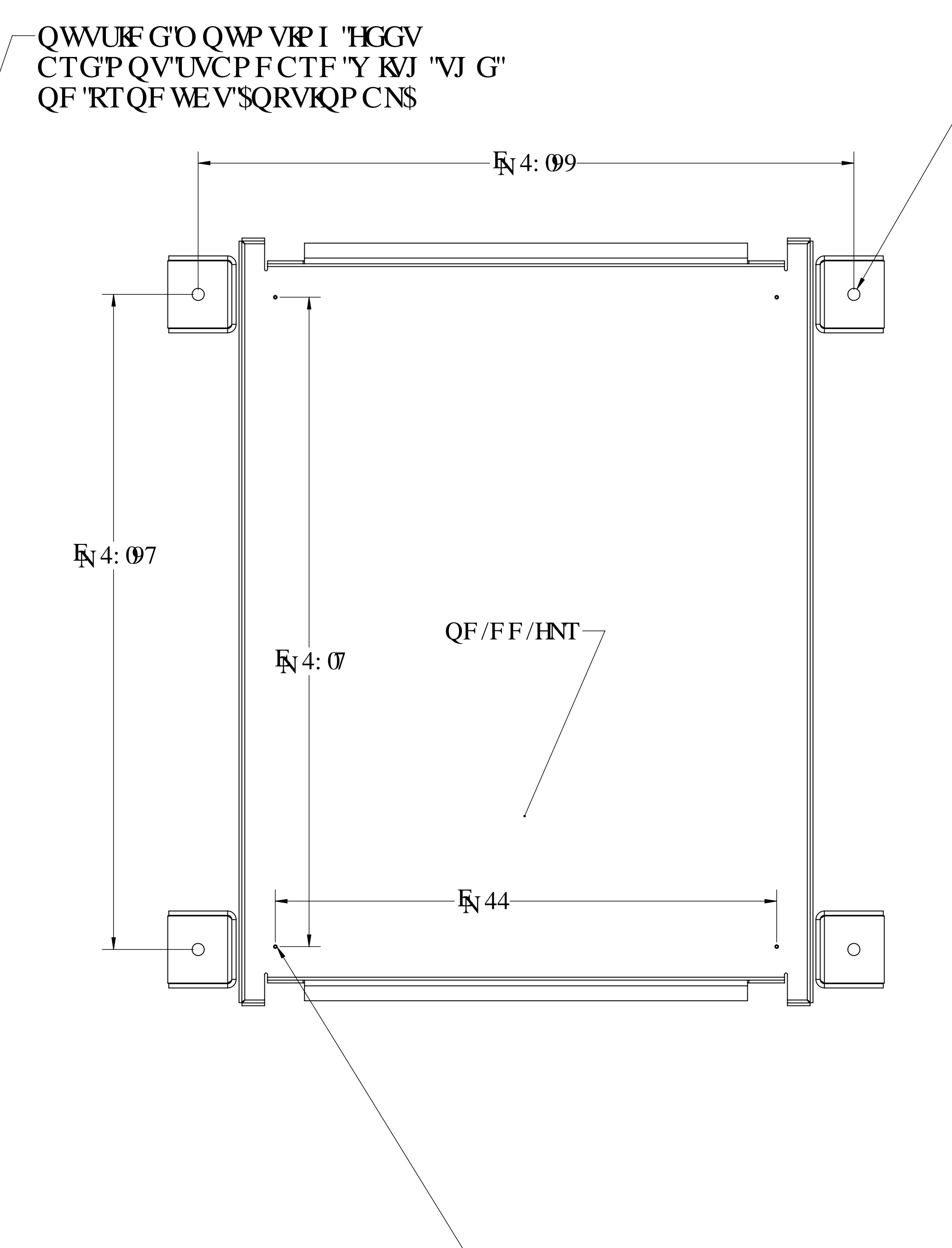
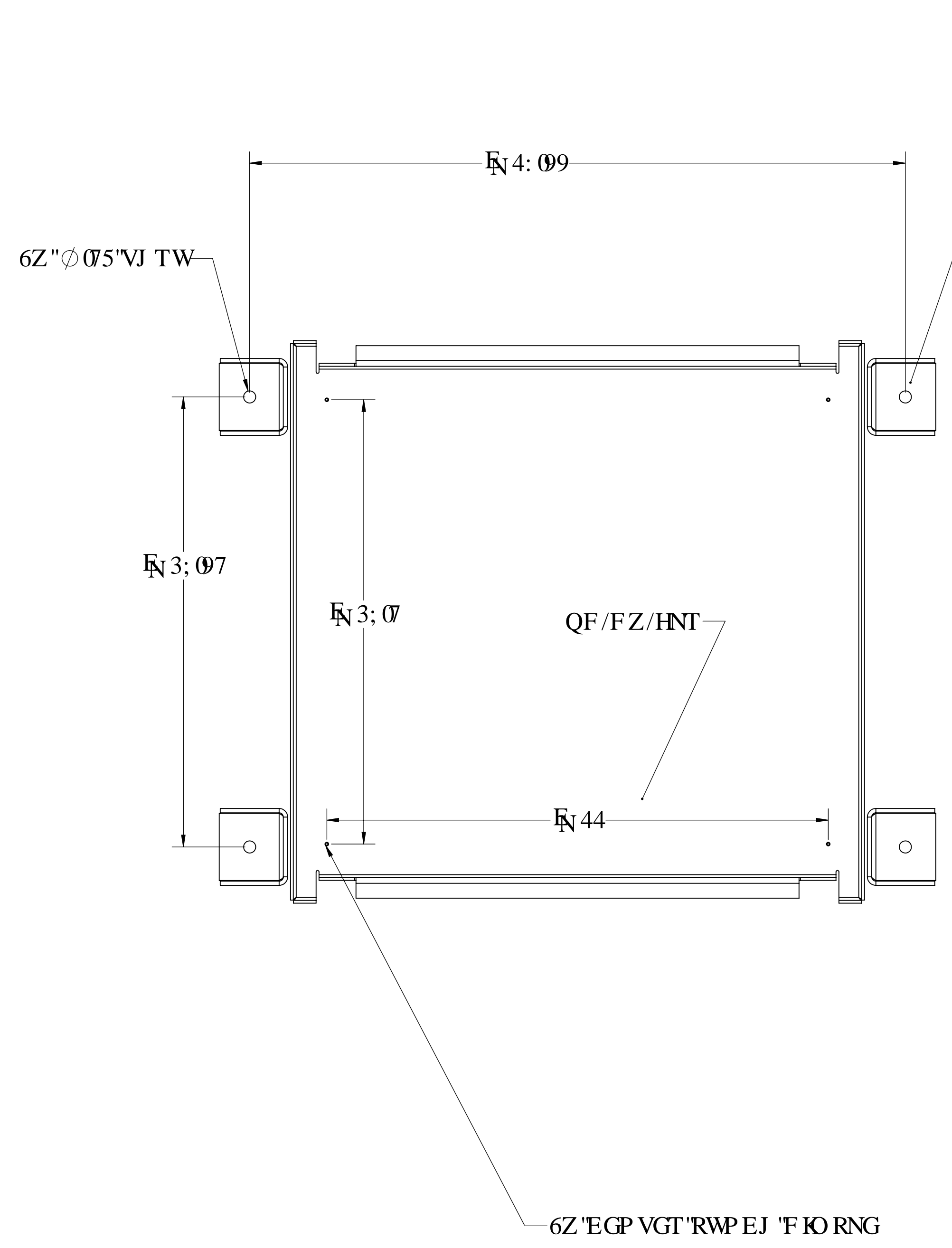


Y GD'FTCY KPI 'PQV'HQT'HCDTIECVIQP+

TGXRKQPU		
TGX0	FGLTRVQIP	FCVG
C	IplalcTggucg'fg'FT/2279:	32H4234
D	CFT'Y QF'Hggretlpv'q'j'g'f'cy lpi 'hg'FT/22:::	6BH236
E	WRFCVGF'VQ'PGY 'HQTO CV	5BH242

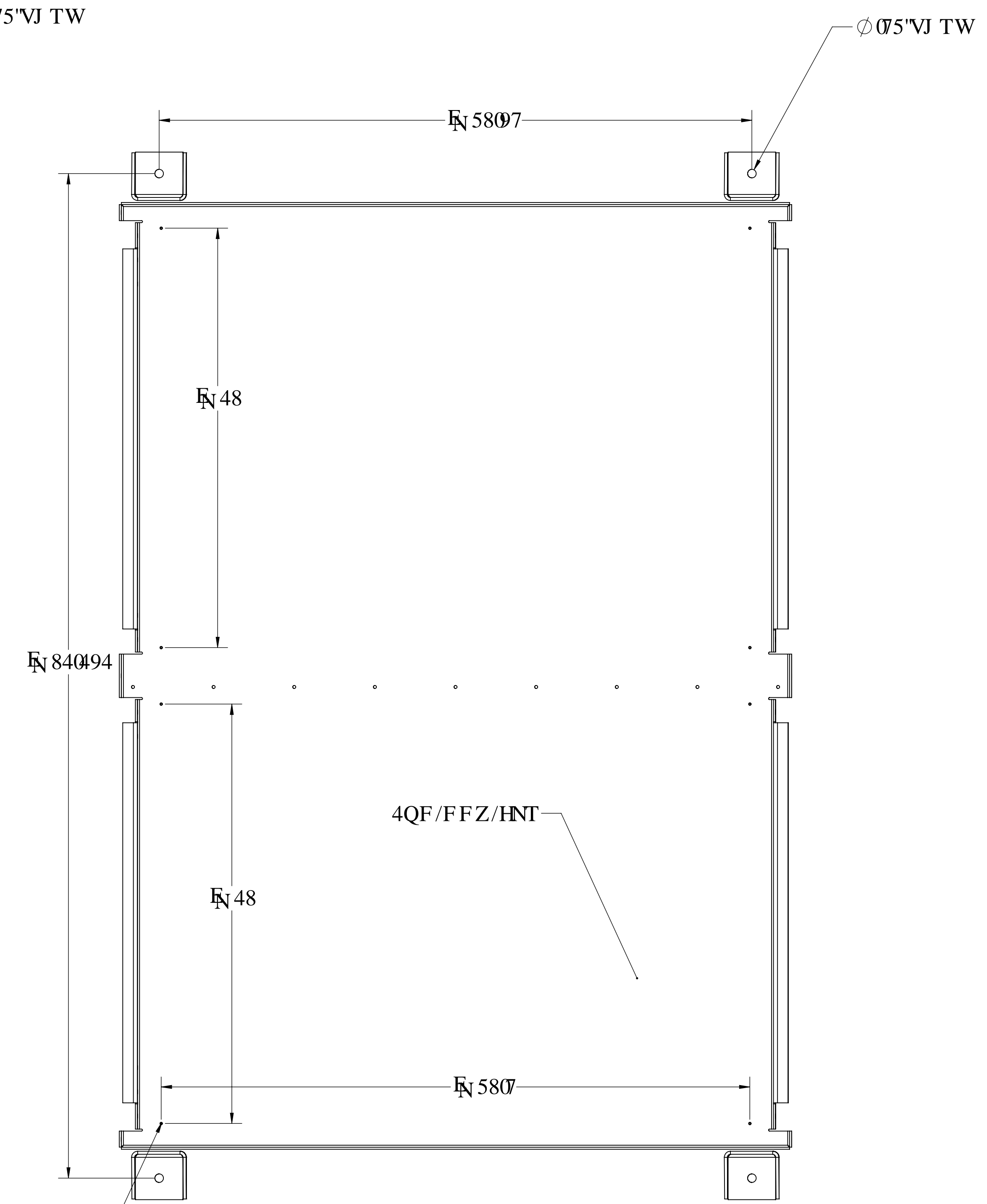
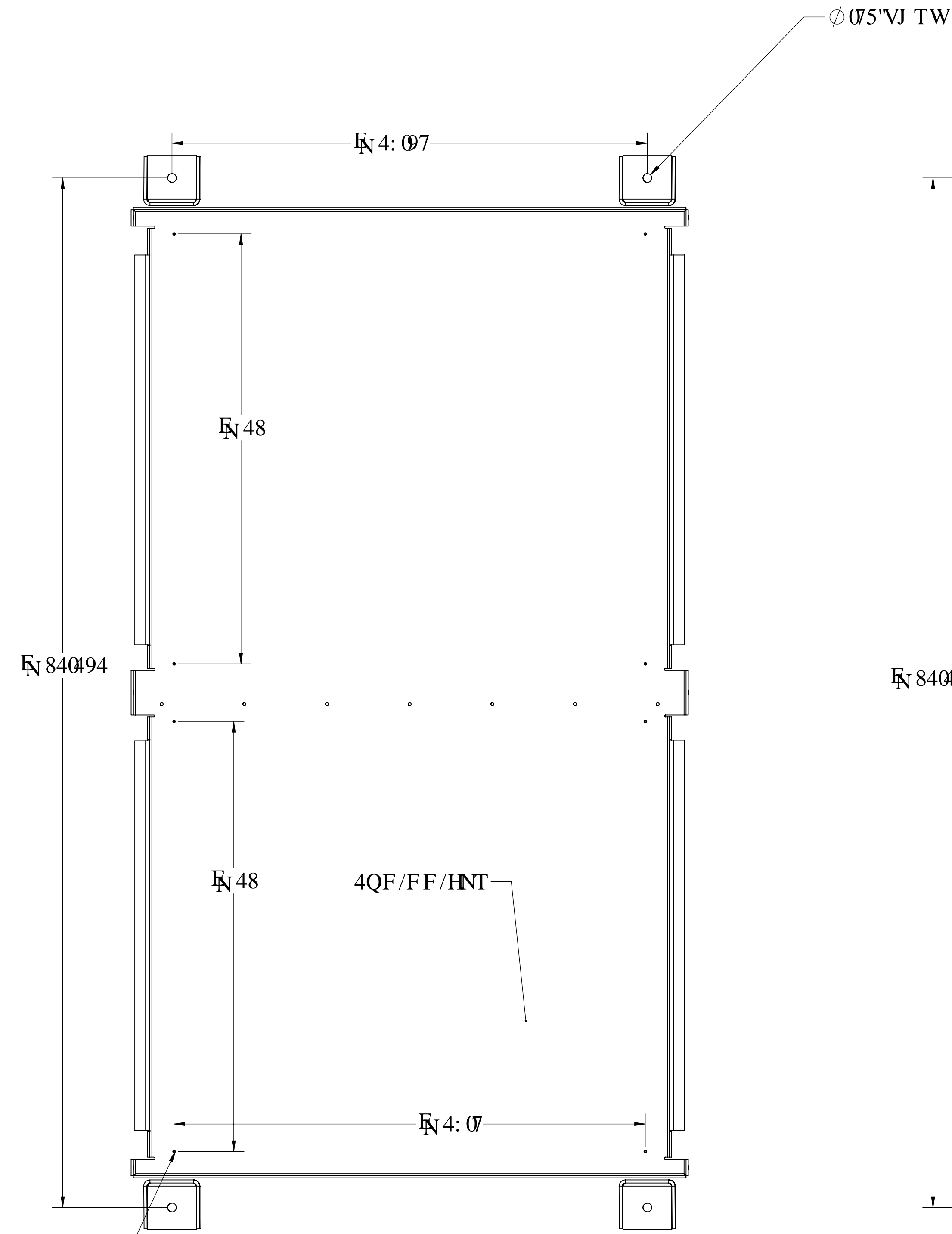
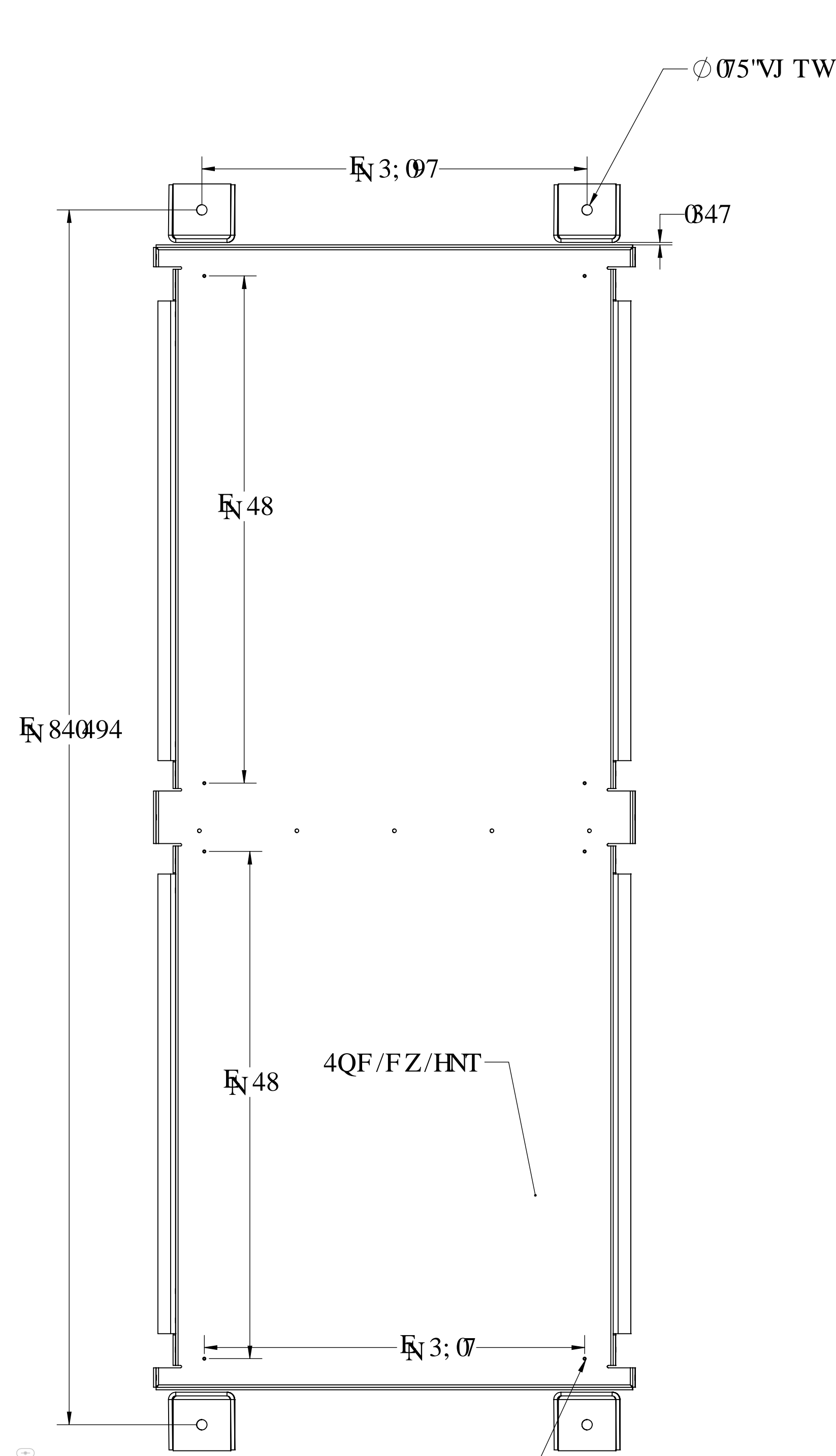


F F D H Q T O 2908 / 4 T G X H 27124B:

Y GD'FTCY KPI 'PQV'HQT'HCDTIECVIQP+

WNGU'QVJ GUY HCURGEHBCP<		PCOG	FCVG	FFD'Wplo ksf 'Ipe0			
F K Q I K P U C T O W R E I L U		O qf gll<	F F D	32D4B4	2279:		
CPI WCT: 13*		Ftey p'Ø<	OotxlpU	25D5H2	Ucpf'ctf'Ref'O qppVJ qng'Nqecqpu		
HCEVQPCNP'OP'ERJSCM'2047:		Ungof'gr'c Uqpsl	32D4B4	GAP 7 U I Y 7 c X Y. BK ; " BC". F9J			
QV'ORAL'ED'ERAC'2042:		S'OC'Cr'f'f'f'dto c	26B6B6	B ' ,) M \$\$) +, !			
VJ'OGN'CE'OF'EROCN'20812:		Rq'f'Ø'10: ExtrM	26B6B6	G7 5 Ø9: % (K 9# <H % Vg G-99H% C: (
CNI'ON'G'2025:							
O'CVG'ICN'2749 3422847'CUVO'IME'26*3'CW G:							
RCR'V'c: F'CO'Ø'1'30'Ø'X'308'Ø'1'30'U'V'Z'V'Ø'Ø'Ø'42:							
F'Q'P'Q'V'U'EC'NG'F'CY'K'P':							

Y GD'FTCY KPI 'PQVHQTHCDTIECVIQP+

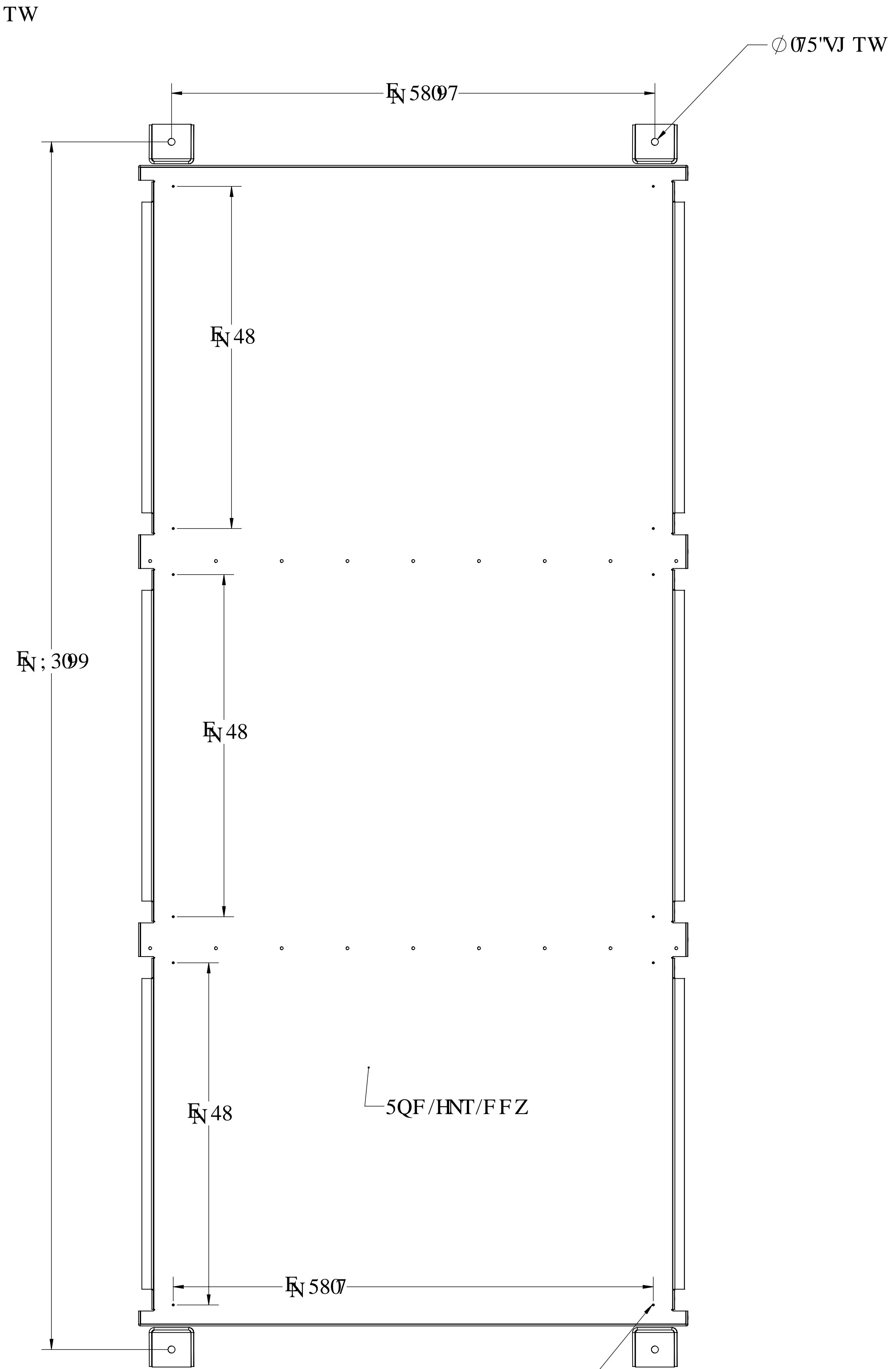
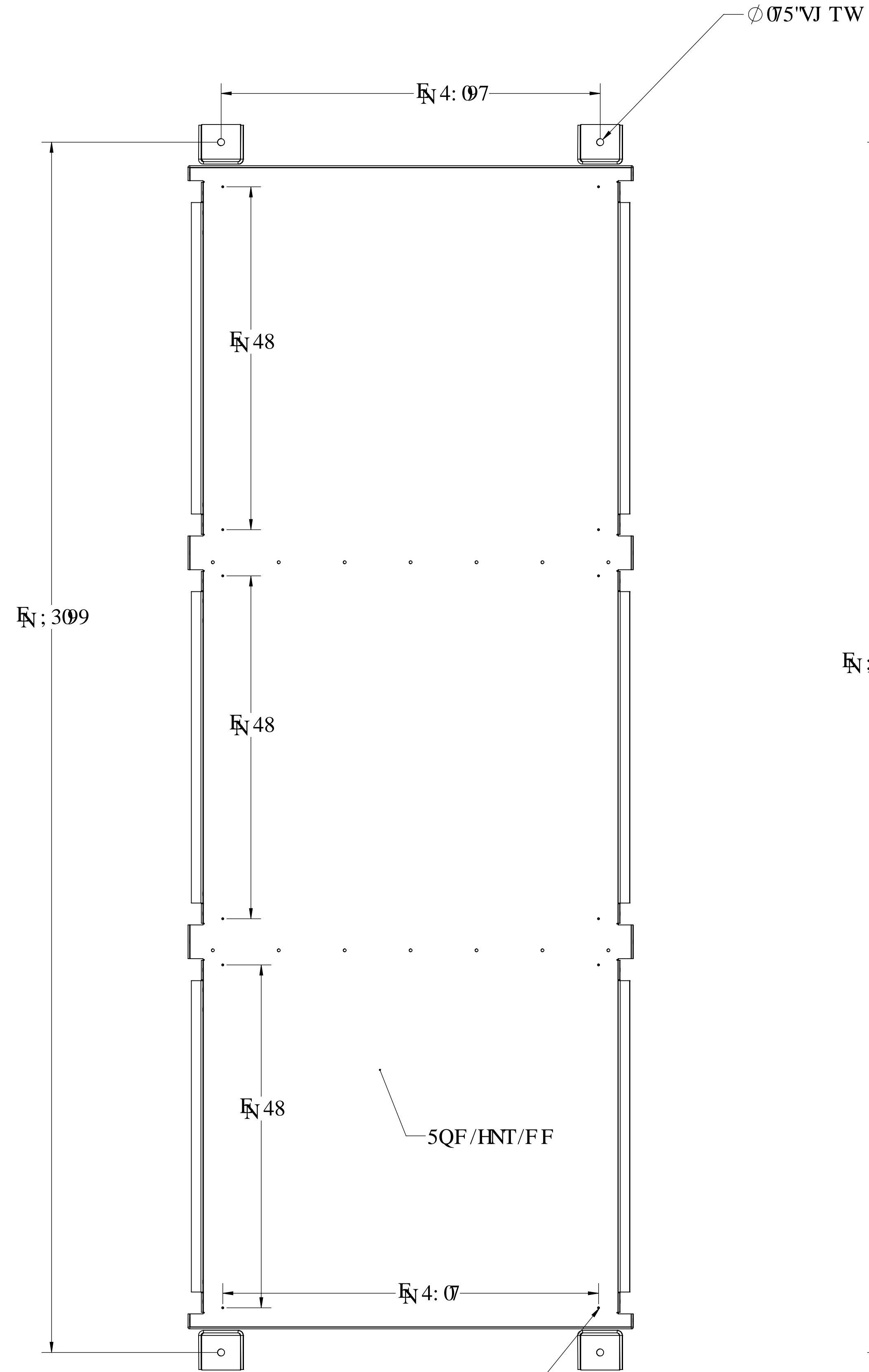
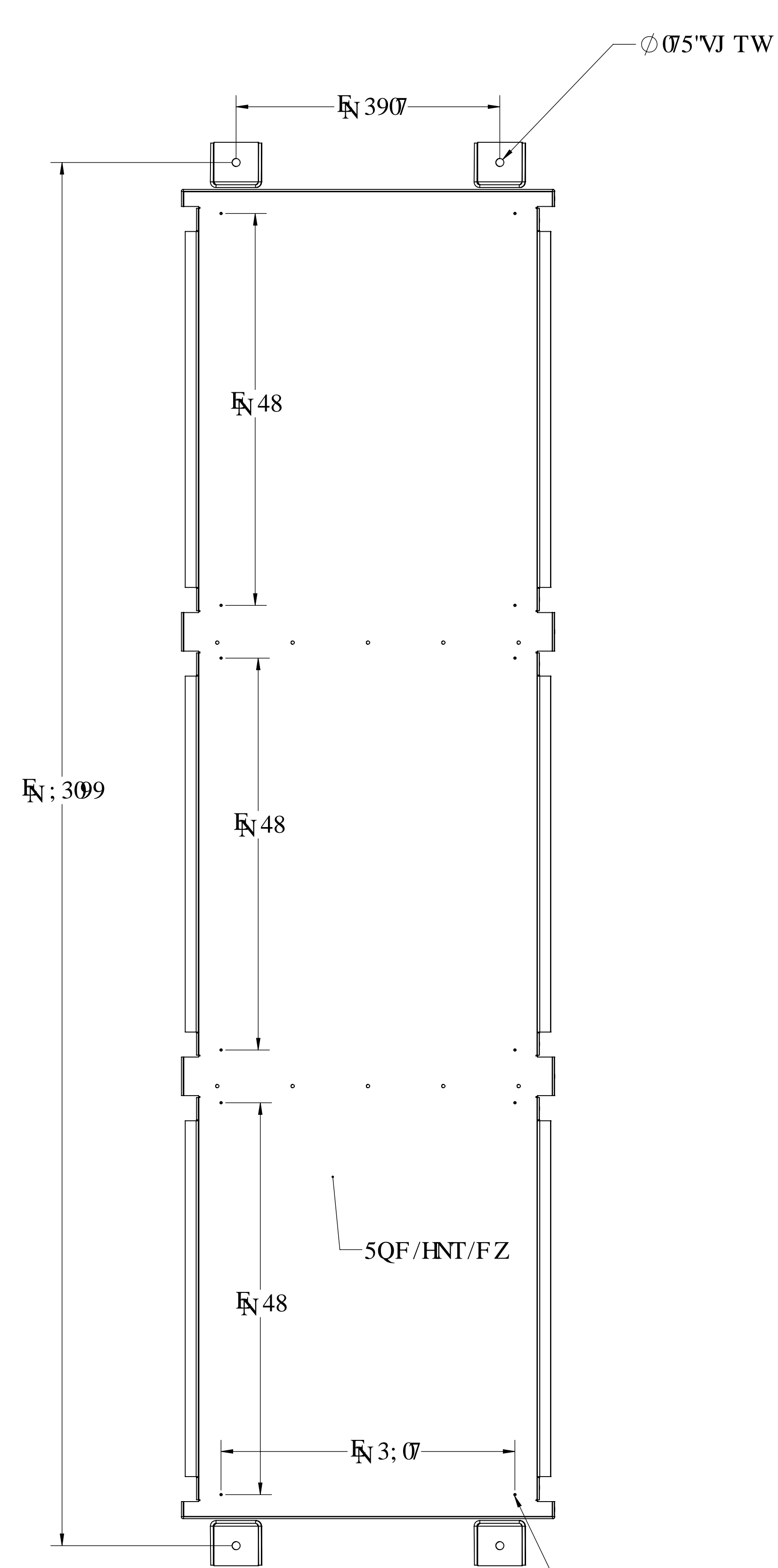


Y GD'FTCY KPI 'PQVHQTHCDTIECVIQP+

WNGU'QVJ GYV HCURGEHBC<	PCOG	FCVG	FFD'Wplo ksf 'Ipe0		
FHQPKU'CTOW WELI EU	O qf gH0<	FFD	32D4B4	2279:	
CPI WNET	Ftey p'0<	OotspU	25B5H2	Ucpl'ctf 'Ref' O qpp'0 qng'Nqec'kpu	
HCVUQPCNP'OP'ERJSCM'~20475	Ungp'0'gr'c	Ugsp'd	32D4B4	GA9	7 U[Y 7 cXY.
Q'ORAL'ED'ERAC'~20841	S'OC'Cr'rt'c'	ff'dSto c	26B6B6	B	' ,)M
V'IO'RN'CE'OF'ERDC'N'~20812	EntcmI	EntcmI	26B6B6	\$\$	+
CN'N' ON'G'~20212	Eg'egp'P'w'g'g'c			G7 5 69: %	K 9# <H&&Yg
OCVGIKN: 7274J 54Z2847/CVVO/D42/26%					G-99H8C: (
RCR'VC: F'IO'Q'P'V'Q'V'G'N'G'F'CY'K'P'I					

F F D H Q I O 2908/4 T G X H 27 D 4 B 3

Y GD'FTCY KPI 'PQVHQTHCDTIECVIQP+



34Z'EGP VGT'RWP EJ 'F KO RNG

34Z'EGP VGT'RWP EJ 'F KO RNG

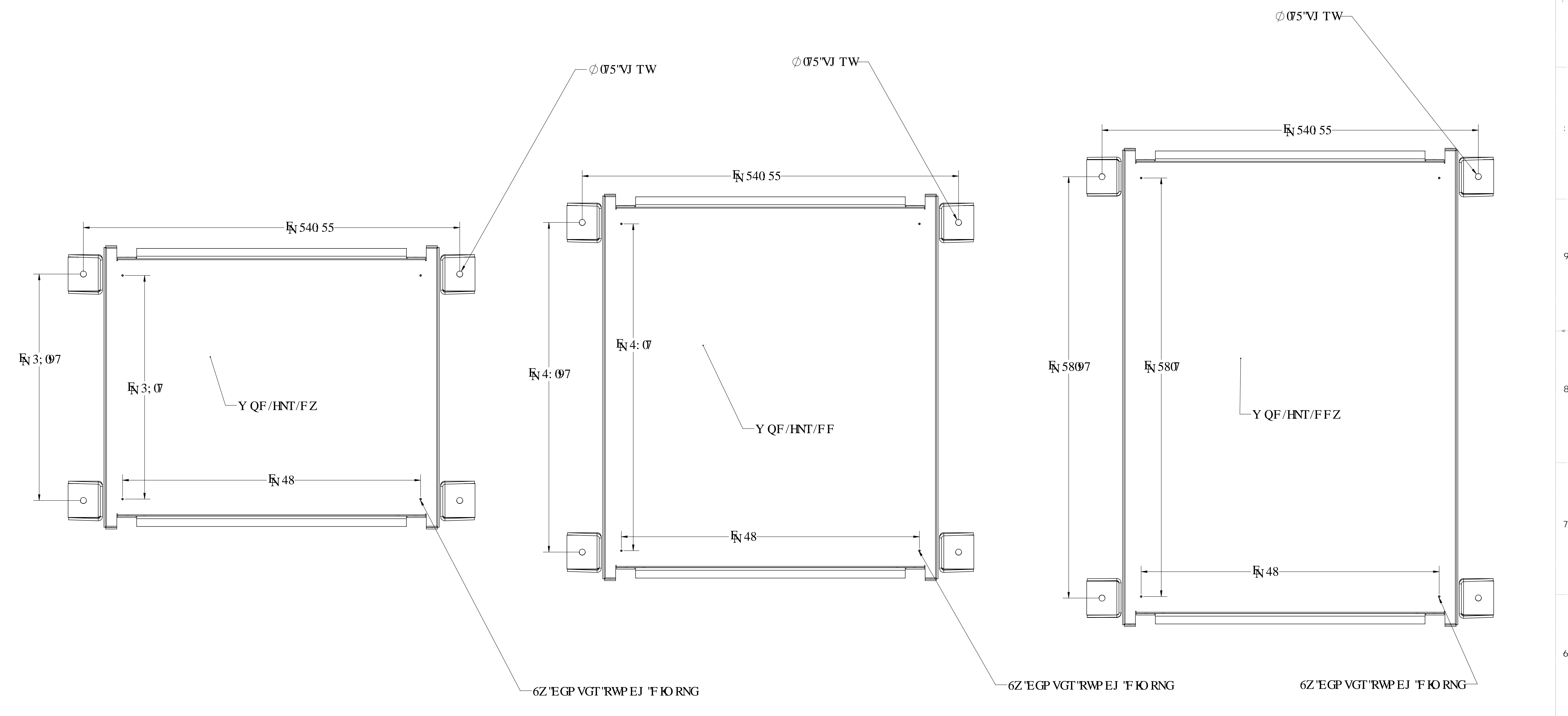
34Z'EGP VGT'RWP EJ 'F KO RNG

Y GD'FTCY KPI 'PQVHQTHCDTIECVIQP+

WNGU'QJ GY HCURGEBGP<	PCOG	FCVG	FFD'Wplo ksf'Kpe0		
FHQKQKUTOW WELI	O qf gHl<	FFD	32D4B4	2279:	
CPI WCT<	Ftey p'Bl<	OotspU	25D5H2	Ucpl'ctf'Ref'O qppVJ qng'Nqecqpu	
HCVUQPCNP OF ERJSCM<	Ungp'gr'de	Uqpsl	32D4B4	GAP 7 U[Y 7 cXY. BK ; " BC". F9J	
QVORLEJ ERJSCM<	S'OC'ert'f'f'dto c	ErctmI	26B6B6	B '.)M \$\$) +, !	
VYORRCEJ ERJSCM<	Egreq'p'wo'qg<		26B6B6	G7 5@9: %(K 9e <H' & Vg G-99H C: (
CN1 ON&e'3F232E					
DI'ORR'NY RERJELI R'28U5					
OCVGIKN: 7274J 54Z2847/CIVO/D42/26%					
RCR'V: FKO'9F'30I'ON'98'CI'50U'VZ'W'0'0'54I					
FQ'PQVUECNGFTCY KPI					

F F D H Q I O 2908/4 T G X H 27 D 4 B 3

Y GD'FTCY KPI 'PQVHQTHCDTIECVIQP+



Y GD'FTCY KPI 'PQVHQTHCDTIECVIQP+

WNGU'VJ GY RCTURZHBG<	PCOG	FCVG	FFD'Wpilo ksf 'Ipe0		
FKQIPKUCTOR WEI EU	O qf gHl<	FFD	32D4B4	2279:	
CPI WCT<	Ftey p'0l<	OotspU	25D5H2	Ucpl'ctf'Ref'O qppVJ qng'Nqecqpu	
HCVKQPCNFP'ERJSCM'<	Ungp'gr'c Uqspd	32D4B4	GAP 7 U[Y 7 cXY. BK ; " BC". F9J		
QVORLEJ'ERAC'<	S'OC'Cr'rt'f'f'dsto c	26B6B6	B 7 U[Y 7 cXY. BK ; " BC". F9J		
VJ'GDRKCE'G'EDUC'<	S'OC'Cr'rt'f'f'dsto c	26B6B6	B 7 U[Y 7 cXY. BK ; " BC". F9J		
CN1 QN1-3'F'F'2'G	ErctmI	26B6B6	B 7 U[Y 7 cXY. BK ; " BC". F9J		
QVORLEJ'ERAC'<	ErctmI	26B6B6	B 7 U[Y 7 cXY. BK ; " BC". F9J		
O'CVGICN< 7274J 54Z2847'CVIO'D42/26%<	ErctmI	26B6B6	B 7 U[Y 7 cXY. BK ; " BC". F9J		
RCR'V< F'KO'9P'30I'GX'98/4'7'GX'4'F'27'D4B3	ErctmI	26B6B6	B 7 U[Y 7 cXY. BK ; " BC". F9J		
FQP'QVUECN'G'FTCY KPI	ErctmI	26B6B6	B 7 U[Y 7 cXY. BK ; " BC". F9J		
	ErctmI	26B6B6	B 7 U[Y 7 cXY. BK ; " BC". F9J		

F F D H Q I O 2908 / 4 T G X 4 F 27 D 4 B 3