



An ISO 9001
Certified company

WOD Series

WOD-78DDC



Why Choose WOD the Series?

The WOD series of enclosures are the ultimate choice for your outdoor racking requirements. Being made of our own rugged Alumiflex®, you'll find it noticeably lighter than steel, yet strong enough to rack even the heaviest equipment. When choosing the WOD series, you have handpicked the highest value in American construction. The WOD-78DDC includes the standard features you have come to expect with DDB, incorporating the versatile strut system for adjustable racking, the security of a 3-point locking system and our patented Alumishield® solar cap to manage heat loads. For those who need more than just our standard enclosure, DDB can also make a truly customized solution with our many available options including HVAC, providing a climate-controlled environment for any electronic equipment, electrical load panels and cable entry solutions to name a few. All of this comes together to create an enclosure able to meet all the unique needs your customers have been seeking. DDB offers a state-of-the-art design, a competitive price, benchmark lead times and a guaranteed delivery, all backed up with an industry leading 15-year warranty on every enclosure. Put DDB's substantial stock to work for you today. Contact our professional staff to assist you with your made-to-order solution.



Application Types

- Telecommunications
- Wireless/Broadband
- Fiber Optics
- Back Haul
- Small Cell/DAS
- Public Safety
- Utility
- Base Station
- Military
- Trailer-Based Communications
- Wi-Fi
- LTEE/4G/5G

Industry Standards:

- NEMA 3R as shown
- NEMA 4 and 4X configurable (unlisted to environmental rating)
- WOD Series Listed to UL 50/50E Type 4 Available**
- ETL listed to UL Standard 60950-1/CSA 22.2C

2301 S. HWY 77 Pauls Valley, OK 73075
T: (800) 753-8459 – F: (877) 220-7236

sales@ddbunlimited.com www.ddbunlimited.com



Features

- 0.125" Aluminum Construction
- Stainless Steel External Hardware/Hinge
- 3 Point Lock System
- Heavy Duty Out-Door Construction
- Front and Rear Access
- Custom Colors Available
- Cream & Red Powder-Coat in Stock
- Flexible and Scalable
- 15 Year Warranty
- Quick Shipping

Weight and Dimensions

- Approximate Exterior Enclosure Dimensions:
- 79"H x 32"W x 39"D
- Shipping Dimensions:
- 42"W x 42"L - Palletized
- Approximate Shipping Weight:
- 300 lbs.

WOD Series

WOD-78DDC



Features

1. Solar Shield (Alumishield)
2. Front and Rear 19" and 23" Reversible Racking Rails
3. Rear Access Door
4. Stainless Steel Door Hinge
5. 3 Point Locking System
6. Powder-Coat Cream
7. Reusable Vent Filters

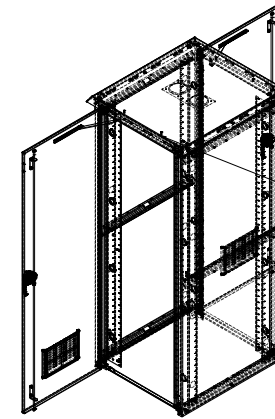
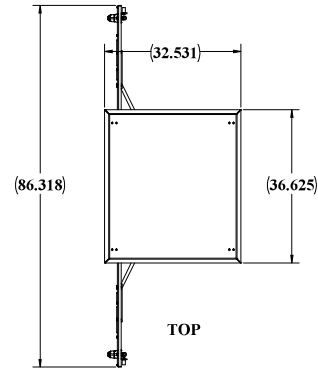
2301 S. HWY 77 Pauls Valley, OK 73075

T: (800) 753-8459 – F: (877) 220-7236

sales@ddbunlimited.com www.ddbunlimited.com

WEB DRAWING (NOT FOR FABRICATION)

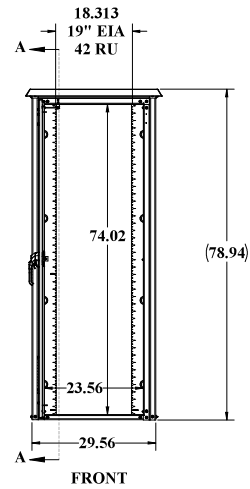
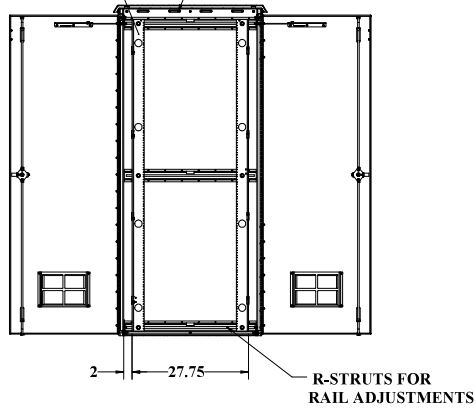
| REVISIONS | | |
|-----------|--|-----------|
| REV. | DESCRIPTION | DATE |
| A | Initial Web Drawing per DR-00134 | 6/10/2013 |
| B | revise to incorporate new components and new drawing template pdr DR-00934 | 5/15/2014 |
| C | UPDATED TO 2019 FORMAT | 5/6/2019 |
| D | UPDATED DRAWING WITH DOOR RODS WITH ROLLERS PER DR-02278 | 6/16/2020 |



STANDOFFS ARE STANDARD FOR OPTIONAL LIGHTING OVER EACH DOOR FRONT AND REAR

FRONT AND REAR RAILS STANDARD ON DD

CEILING LOUVERS



DOOR RODS WITH ROLLERS

STANDARD WINDLOCK EACH DOOR

3 POINT LOCKING EACH DOOR

FILTERED LOUVERS

RIGHT SIDE

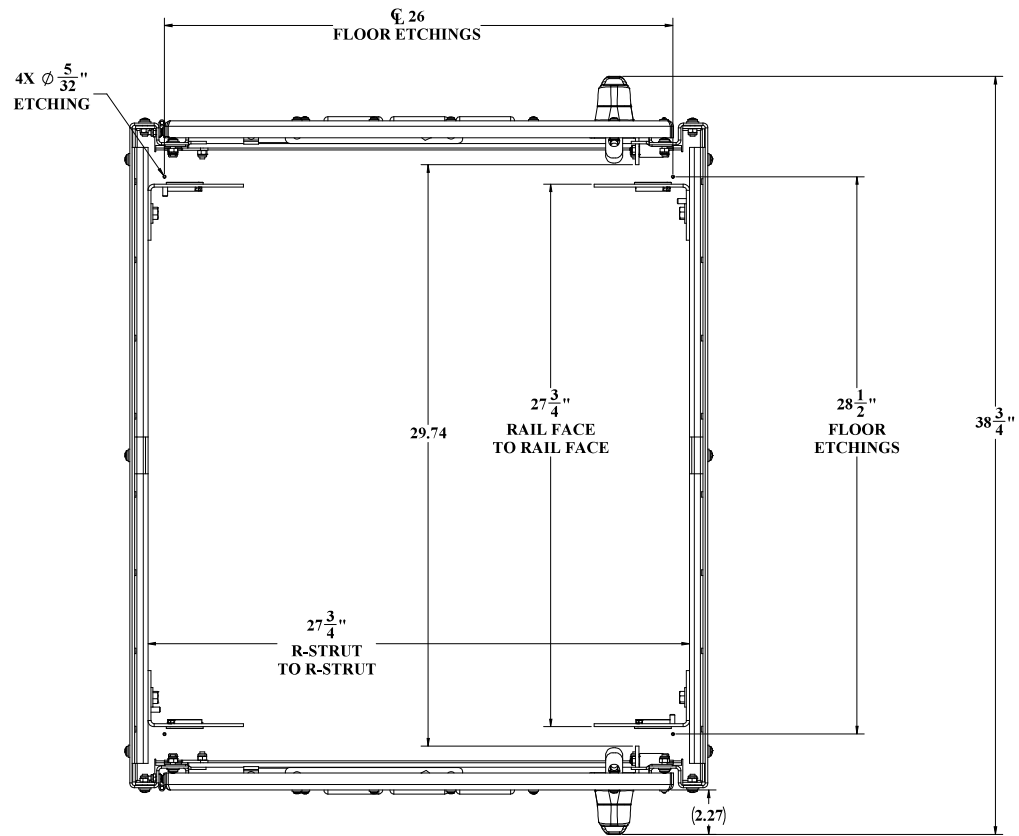
WEB DRAWING (NOT FOR FABRICATION)

| UNLESS OTHERWISE SPECIFIED: | | | NAME | DATE | DDB Unlimited Inc. | | |
|---|--------------------------|---------|----------------------|--------------|---------------------------|-------------------|--------------|
| COMPANION LINE OR STYLE: | Model by: | 0008 | 5/31/2014 | WOD-NXXX | | | |
| ARTICLE NO. | Drawn by: | zseve | 06/17/20 | WOD-78"HL_DD | | | |
| REV. NO. (LAST DESIGN) | Sales Rep./Rev. Control: | 0212143 | | REV | Cage Code: | DWG. NO.: | REV |
| REV. NO. (LAST DESIGN) | Q.A. Appr: | lry | 06/25/20 | D | 88515 | 00725 | D |
| REV. NO. (LAST DESIGN) | Prod. Mgr.: | Clare | 06/25/20 | SCALE: 1:1a | | WEK-INT: 249 lbs. | SHEET 1 OF 3 |
| MATERIAL: 304 SS 1/4" THK 304MM | | | DO NOT SCALE DRAWING | | | | |
| FABRZ: HANSON-USA, WOOD-CORPORATION.COM | | | | | | | |

UNCLASSIFIED PUBLIC

File Location: (DDB) (PDM_Vault)
C:\DDB\drawing\requests\customer\dddb_web\dwg\wood_family\web\di-00725 (wood-78in-web)\

WEB DRAWING (NOT FOR FABRICATION)



TOP VIEW
CEILING AND ALUMASHIELD NOT SHOWN

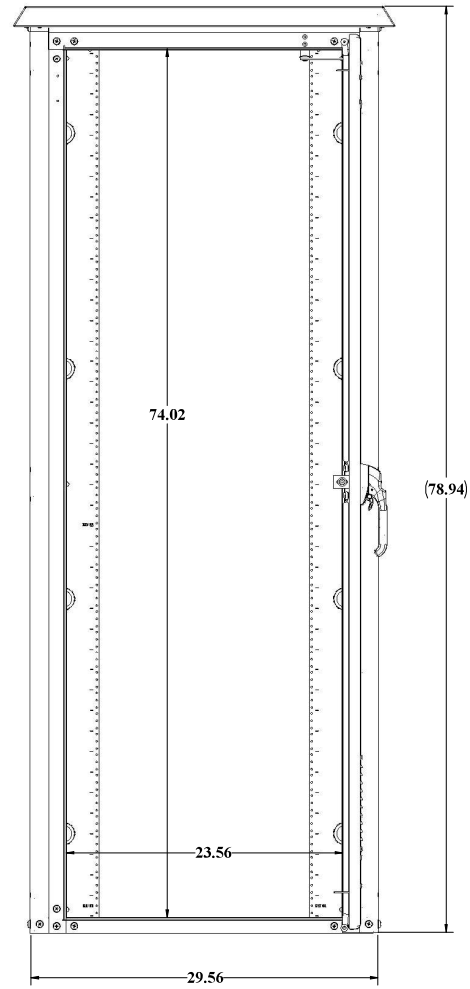
WEB DRAWING (NOT FOR FABRICATION)

| | | | |
|-----------------------------------|------------|-----------|--------------|
| UNLESS OTHERWISE SPECIFIED: | | | |
| DDB Closed | | | |
| Enclosure, Family, WOOD DD Closed | | | |
| SIZE | Code Code: | DWG. NO.: | REV |
| D | 38515 | 00725 | D |
| SCALE: 1:16 | | WEIGHT: | SHEET 2 OF 3 |
| DO NOT SCALE DRAWING | | | |

UNCLASSIFIED PUBLIC
THE INFORMATION CONTAINED IN THIS DRAWING IS THE SOLE PROPERTY OF DDB Unlimited, INC. ANY REPRODUCTION IN PART OR AS A WHOLE WITHOUT THE WRITTEN PERMISSION OF DDB Unlimited, INC. IS PROHIBITED.

DDB FORM 7.1-2 REV A (08/02/17)

WEB DRAWING (NOT FOR FABRICATION)



BACK VIEW
GASKET NOT SHOWN

WEB DRAWING (NOT FOR FABRICATION)

| | | | |
|---------------------------------------|-----------|---------------------------|-----------|
| UNLESS OTHERWISE SPECIFIED: | | DDB Unlimited Inc. | |
| DIMENSIONS ARE IN INCHES | | WOD-78DD | |
| TOLERANCE | FRACTIONS | WOD, 78" H, DD WOD-78DD | |
| DECIMALS | 0/16 | REV | |
| THIRDS | 1/32 | Code Code: | DWG. NO.: |
| FOURTHS | 1/64 | D | 00725 |
| EIGHTHS | 1/32 | D | D |
| ALL OTHERS | SEE DWG | SCALE 1:16 WEIGHT: | |
| MATERIALS REFER TO THE DWG | | D | |
| FINISH: UNLESS SPECIFIED, SEE THE DWG | | D | |
| DO NOT SCALE DRAWING | | SCALE 1:16 WEIGHT: | |
| | | SHEET 2 OF 3 | |

UNCLASSIFIED PUBLIC
THE INFORMATION CONTAINED IN THIS DRAWING IS THE SOLE PROPERTY OF DDB Unlimited, INC. ANY REPRODUCTION IN PART OR AS A WHOLE WITHOUT THE WRITTEN PERMISSION OF DDB Unlimited, INC. IS PROHIBITED.