

WOD Series

WOD-50DDC

Why Choose the WOD Series?

The WOD series of enclosures are the ultimate choice for your outdoor racking requirements. Being made of our own rugged Alumiflex®, you'll find it noticeably lighter than steel, yet strong enough to rack even the heaviest equipment. When choosing the WOD series, you have handpicked the highest value in American construction. The WOD-50DDC includes the standard features you have come to expect with DDB, incorporating the versatile strut system for adjustable racking, the security of a 3-point locking system and our patented Alumishield® solar cap to manage heat loads. For those who need more than just our standard enclosure, DDB can also make a truly customized solution with our many available options including HVAC, providing a climate-controlled environment for any electronic equipment, electrical load panels and cable entry solutions to name a few. All of this comes together to create an enclosure able to meet all of the unique needs your customers have been seeking. DDB offers a state-of-the-art design, a competitive price, benchmark lead times and a guaranteed delivery, all backed up with an industry leading 15-year warranty on every enclosure. Put DDB's substantial stock to work for you today. Contact our professional staff to assist you with your made-to-order solution.



Features

- 0.125" Aluminum Construction
- Stainless Steel External Hardware/Hinge
- 3 Point Lock System
- Heavy Duty Out-Door Construction
- Front and Rear Access
- Custom Colors Available
- Cream & Red Powder-Coat in Stock
- Flexible and Scalable
- 15 Year Warranty
- Quick Shipping

Application Types

- Telecommunications
- Wireless/Broadband
- Fiber Optics
- Back Haul
- Small Cell/DAS
- Public Safety
- Utility
- Base Station
- Military
- Trailer-Based Communications
- Wi-Fi
- LTEE/4G/5G



Industry Standards:

- NEMA 3R as shown
- NEMA 4 and 4X configurable (unlisted to environmental rating)
- WOD Series Listed to UL 50/50E Type 4 Available**
- ETL listed to UL Standard 60950-1/CSA 22.2C

2301 S. HWY 77 Pauls Valley, OK 73075
T: (800) 753-8459 – F: (877) 220-7236

sales@ddbunlimited.com www.ddbunlimited.com

Weight and Dimensions

- Approximate Exterior Enclosure Dimensions:
51"H x 32"W x 39"D
- Shipping Dimensions:
40"W x 42"L - Palletized
- Approximate Shipping Weight:
250 lbs.

WOD Series

WOD-50DDC



Features

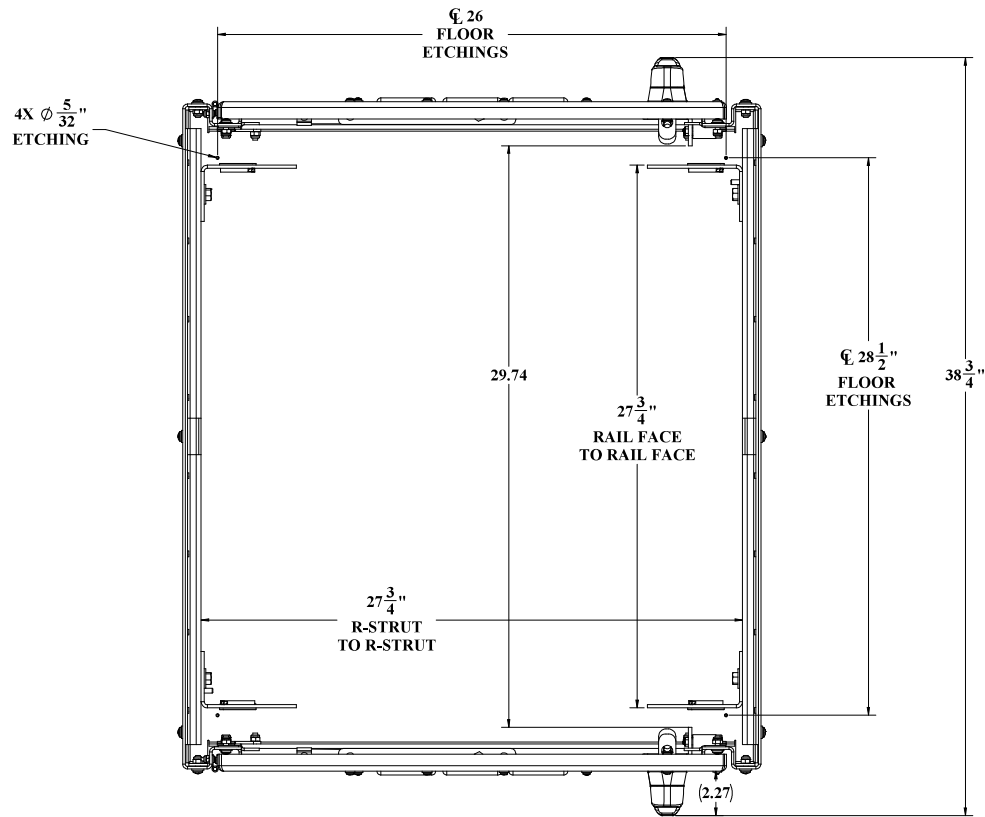
1. Solar Shield (Alumishield)
2. Front and Rear 19" and 23" Reversible Racking Rails
3. Rear Access Door
4. Wind-Lock Installed on Front & Rear Doors
5. 3 Point Locking System
6. Powder-Coat Cream
7. Reusable Vent Filters

2301 S. HWY 77 Pauls Valley, OK 73075

T: (800) 753-8459 – F: (877) 220-7236

sales@ddbunlimited.com www.ddbunlimited.com

WEB DRAWING (NOT FOR FABRICATION)



TOP VIEW
CEILING AND ALUMASHIELD NOT SHOWN

WEB DRAWING (NOT FOR FABRICATION)

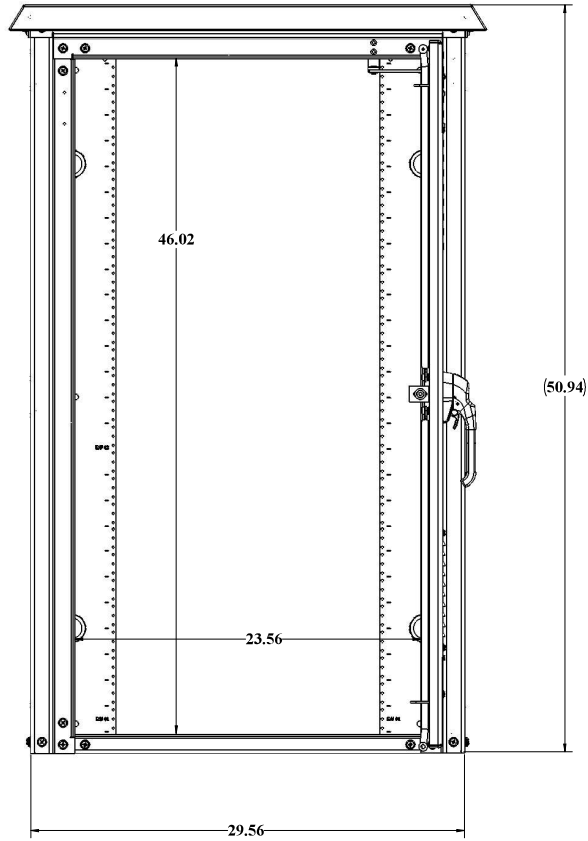
UNLESS OTHERWISE SPECIFIED:		DDB Unlimited Inc.	
DIMENSIONS ARE IN INCHES		DD Closed	
FINISH	1" DIA	Enclosure, Family, WOOD DD Closed	
FINISH	1/2" DIA	SIZE	Cage Code: DWG. NO.: REV
FINISH	1/4" DIA	D	88515 00273 D
FINISH	1/8" DIA	SCALE	1:12 WEIGHT: SHEET 2 OF 3
FINISH: DO NOT SCALE DRAWING			

UNCLASSIFIED PUBLIC
THE INFORMATION CONTAINED IN THIS DRAWING IS THE SOLE PROPERTY OF DDB Unlimited, INC. ANY REPRODUCTION IN PART OR AS A WHOLE WITHOUT THE WRITTEN PERMISSION OF DDB Unlimited, INC. IS PROHIBITED.

File Location: [DDB] EPDM Vault:
C:\DDB\Drawing Requests\Customer\DDB WEB DWG\WOOD Family WEB\DR-00273 (WOOD-500D

DDB FORM 7.1-2 REV. A (08/02/17)

WEB DRAWING (NOT FOR FABRICATION)



BACK VIEW
GASKET NOT SHOWN

WEB DRAWING (NOT FOR FABRICATION)

UNLESS OTHERWISE SPECIFIED:		DDB Unlimited Inc.	
DIMENSIONS ARE IN INCHES		WDD-5000	
FINISH	WDD-5000	WOOD, 50" H, DD	
CONSTRUCTION	1" MIN	SIE	Cage Code: DWG. NO.: REV
DRILLING	1/8" DIA	D	88515 00273 D
DRILL TYPE	1/8" DIA	SCALE: 1:12 WEIGHT: SHEET 3 OF 3	
DRILL FLUTE	1/8" DIA		
ALL OTHERS	SEE SPEC		
MATERIALS	SEE SPEC		
PAINT	SEE SPEC		
DO NOT SCALE DRAWING			

UNCLASSIFIED PUBLIC
THE INFORMATION CONTAINED IN THIS DRAWING IS THE SOLE PROPERTY OF DDB Unlimited, INC. ANY REPRODUCTION IN PART OR AS A WHOLE WITHOUT THE WRITTEN PERMISSION OF DDB Unlimited, INC. IS PROHIBITED.

File Location: [DDB] EPDM Vault
C:\DDB\Drawing Requests\Customer\DDB WEB DWG\WDD Family WEB\DR-00273 (WDD-5000

DDB FORM 7.1-2 REV A 08/02/17