



An ISO 9001/27001
Certified company

OD-UL Series

OD-16DXC-UL50

Made in America



Believing in American
Craftsmanship



Why Choose the OD-UL Series?

The OD-UL series of enclosures are the ultimate choice for your outdoor racking requirements. Being made of our own rugged Alumiflex®, you'll find it noticeably lighter than steel, yet strong enough to rack even the heaviest equipment. When choosing the OD-UL series, you have handpicked the highest value in American construction. The OD-UL series includes the standard features you have come to expect with DDB, incorporating the versatile strut system for adjustable racking, the security of a 3- point locking system, our patented Alumishield® solar cap to manage heat loads, UL listed grounding straps, & UL listed gasketing. For those who need more than just our standard enclosure, DDB can also make a truly customized solution with our many available options including HVAC, providing a climate-controlled environment for any electronic equipment, electrical load panels and cable entry solutions to name a few. All of this comes together to create an enclosure able to meet all of the unique needs your customers have been seeking. DDB offers a state-of-the-art design, a competitive price, benchmark lead times and a guaranteed delivery, all backed up with an industry leading 15-year warranty on every enclosure. Put DDB's substantial stock to work for you today. Contact our professional staff to assist you with your made-to-order solution.



Features

- 0.125" Aluminum Construction
- Stainless Steel External Hardware/Hinge
- Fully Welded Construction
- 3 Point Lock System
- Front and Rear Access
- Custom Colors Available
- Cream Powder-Coat in Stock
- Flexible and Scalable
- 15 Year Warranty
- Quick Shipping
- Water/Rain/Sleet/Dust Tight

Application Types

- Telecommunications
- Wireless/Broadband
- Fiber Optics
- Back Haul
- Small Cell/DAS
- Public Safety
- Utility
- Base Station
- Military
- Trailer-Based Communications
- Wi-Fi
- LTEE/4G/5G



Industry Standards:

OD Series Listed to UL 50/50E Type 4
ETL listed to UL Standard 60950-1/CSA 22.2C

2301 S. HWY 77 Pauls Valley, OK 73075

T: (800) 753-8459 – F: (877) 220-7236

sales@ddbunlimited.com www.ddbunlimited.com

Weight and Dimensions

Approximate Exterior Enclosure Dimensions:

18"H x 28"W x 30"D

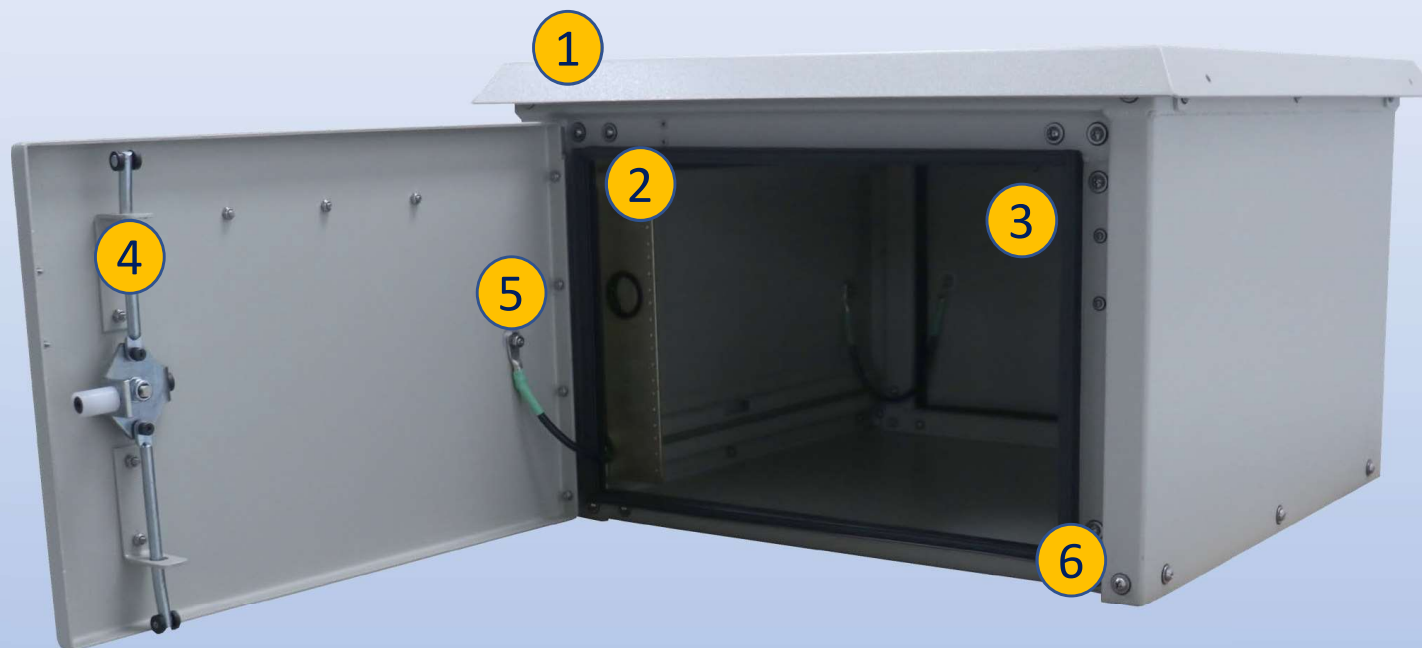
Shipping Dimensions:

35"W x 42"L - Palletized

Approximate Shipping Weight:

OD-UL Series

OD-16DXC-UL50



Features

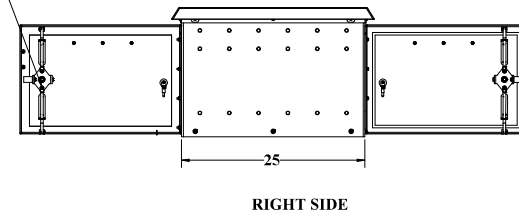
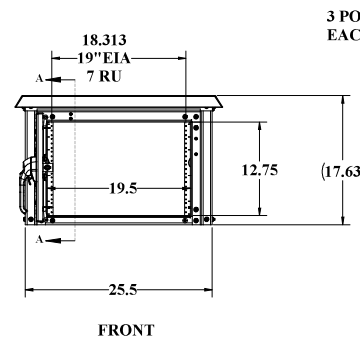
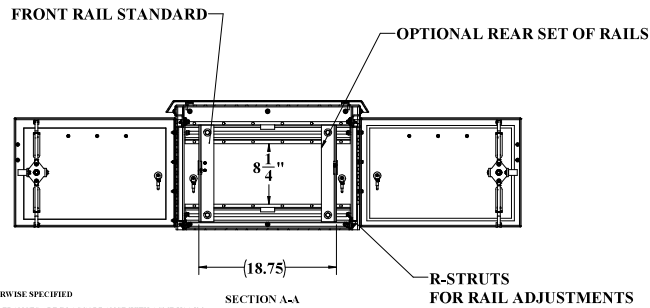
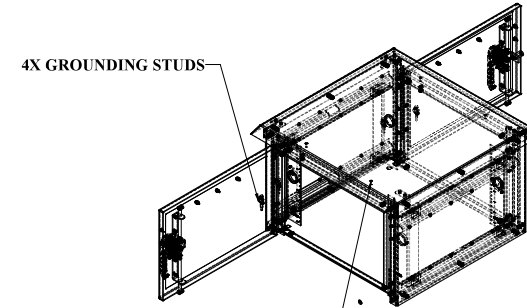
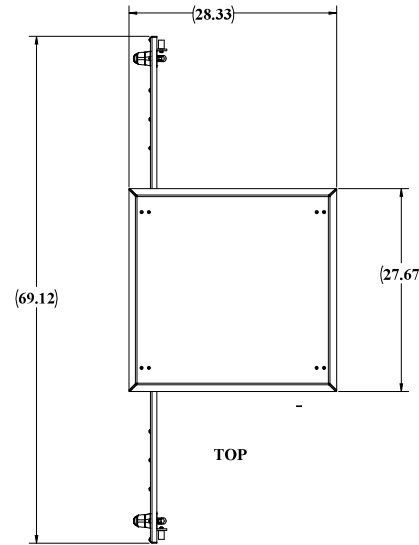
1. Solar Shield (Alumishield)
2. 1 Set of 19" Adjustable Racking Rails
3. Rear Access Door
4. 3 Point Locking System
5. Ground Strap - UL Listed
6. Frame Gasket - UL Listed

2301 S. HWY 77 Pauls Valley, OK 73075

T: (800) 753-8459 – F: (877) 220-7236

sales@ddbunlimited.com www.ddbunlimited.com

REVISIONS		
REV.	DESCRIPTION	DATE
A	OD-16DX-UL50	9/11/2018



NOTES: UNLESS OTHERWISE SPECIFIED

- 1 DIMENSIONS AND TOLERANCES ARE IN ACCORDANCE WITH ASME Y14.5M
- 2 DIMENSIONS ARE IN INCHES, UNLESS OTHERWISE SPECIFIED
- 3 THERE IS A SUPPLEMENTAL DRAWING AND MAY NOT BE FULLY DIMENSIONED. THE NOTES, TOLERANCES, AND SPECIAL INSTRUCTIONS ARE TO BE USED ALONG WITH THE LATEST REVISION OF THE SOLID DATABASE. THE PART OR ASSEMBLY IS TO BE CONTROLLED PER THE ELECTRONIC FILE
- 4 ALL PEM STUDS SHALL BE PHX FOR STAINLESS ENCLOSURES AND PHA FOR ALUMINUM
- 5 ALL EXTERIOR WASHERS SHALL BE SEALING WASHERS
- 6 THE FOLLOWING WEATHER STRIPPING SHALL BE USED FOR THE FOLLOWING APPLICATIONS:
DOOR LIP - TRIMLOCK 3100BX18C
FAN PLATES - STRIKER-TEE 15838
- 7 CUSTOM ENCLOSURES SHALL HAVE SECURITY TORX FOR ALL EXTERIOR HARDWARE
- 8 SYMBOL \odot DENOTES CRITICAL DIMENSIONS AND MUST BE INSPECTED
- 9 REMOVE ALL BURRS AND BEAD EDGES 0.05" MAX RADIUS OR CHAMFER
- 10 DO NOT DRIBBLE PRESS-FIT HOLES
- 11 DIMENSIONS SHALL APPLY AFTER ALCOHOL PAINT FINISH OR COAT IS APPLIED
- 12 INSTALL PRESS-FIT STANDOFFS, STUDS, AND NUTS IN ACCORDANCE WITH THE MANUFACTURER'S SPECIFICATIONS
- 13 ALL OPEN HOLES SHALL BE POPULATED WITH APPLICABLE HARDWARE
- 14 IDENTIFY PART WITH PART NUMBER, REVISION LETTER, AND SERIAL NUMBER
- 15 FINISHED PART TO BE FREE OF OILS, LUBRICANTS, AND OTHER CONTAMINANTS
- 16 NO NUTS OR LOCK NUTS TO BE USED ON ANY PEM STUDS, UNLESS OTHERWISE SPECIFIED
- 17 ALL PEM STUDS WILL BE SECURED WITH EXTERNAL TOOTH WASHER AND STANDARD NUTS
- 18 TOLERANCES UNLESS OTHERWISE SPECIFIED:
a HOLE SIZE: $+0.003$
b HOLE TO HOLE: -0.005
c HOLE TO EDGE: -0.010
d HOLE TO FOLD: -0.005
e FOLD TO FOLD: -0.020

WEB DRAWING (NOT FOR FABRICATION)

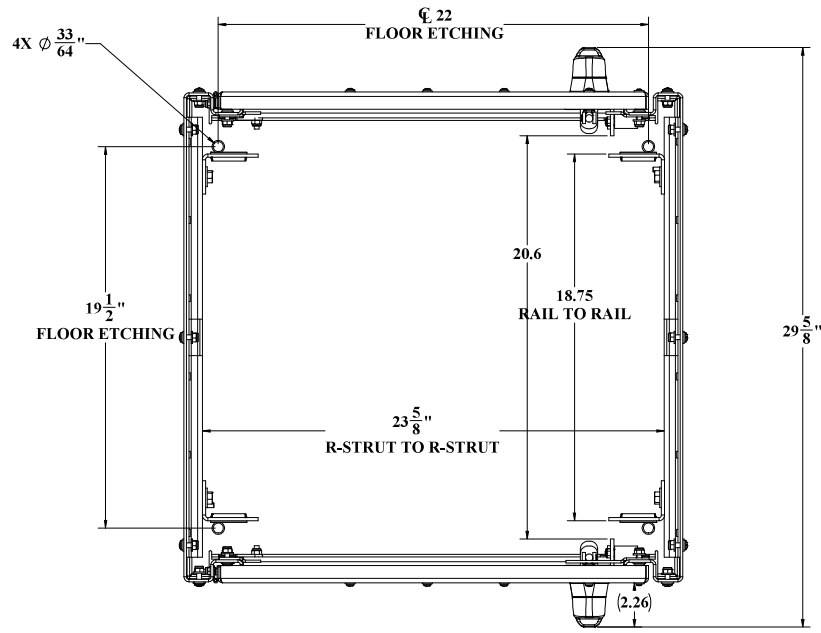


UNLESS OTHERWISE SPECIFIED:	
DESCRIPTION AND PART NO.	
ARTICLE NO.	# 108
REV. NO.	# 108
DATE OF REV.	# 108
DATE OF ISSUE	# 108
DATE OF CANCELLATION	# 108
DATE OF REVISION	# 108
DATE OF CANCELLATION	# 108
DATE OF REVISION	# 108
DATE OF CANCELLATION	# 108
DATE OF REVISION	# 108

NAME	DATE	DDB Unlimited Inc.			
Model by: 1008		OD-16DX-UL50			
Drawn by: Marvcs	09/11/18	Enclosure, OD, 16, DX, UL50			
Sales Rep: Ryan C		SHE	Cage Code:	DWG. NO.:	REV
Q.A. App: ddb3844	09/14/18	D	38515	01842	A
Prod.Mgr: Clab65	09/28/18	SCALE: 1:8	WEIGHT: 42 lbs.	SHEET 1 OF 3	

8 7 6 5 4 3 2 1

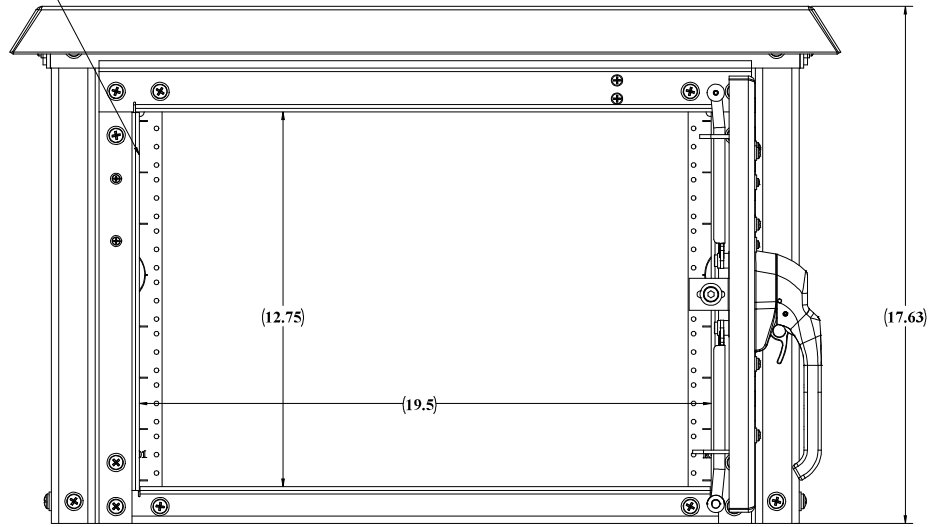
H
G
F
E
D
C
B
A



TOP VIEW CEILING AND ALUMASHIELD NOT SHOWN

UNLESS OTHERWISE SPECIFIED:		DDB Unlimited Inc.	
DIMENSIONS ARE IN INCHES	1"	CJ-004-0504	
APPROXIMATE WEIGHT	1000	Estimote, OD, 30, DX, 11,59	
WEIGHT PER FOOT	1000	REV	Code Code: DWG. NO.: REV
WEIGHT PER SQUARE FOOT	1000	D	38515 01842 A
WEIGHT PER LINEAL FOOT	1000	SCALE	1:8 WEIGHT SHEET 2 OF 3
ALL DIMENSIONS PER 3000		MATERIAL SPECIFICATIONS: ALUMINUM PAINT, DIAMOND VOGEL, BRIDG GLOSS TEXTURE	
DO NOT SCALE DRAWING			

DOOR GASKET HIDDEN



BACK VIEW

UNLESS OTHERWISE SPECIFIED:			
DIMENSIONS ARE IN INCHES			
FINISH	1"		
PROTECTIVE COATING	AS SHOWN		
DRILLING	AS SHOWN		
TOLERANCES	AS SHOWN		
THREADS	AS SHOWN		
ALL DIMENSIONS	UNLESS OTHERWISE SPECIFIED		
MATERIALS	AS SHOWN		
PAINT	DIAMOND VOGEL		
GLASS	TEXTILE		
DO NOT SCALE DRAWING			
DDB Unlimited Inc.		CD-16DX-0150	
Endmore, OD, 16, IN, U.S.			
REV	Code Code:	DWG. NO.:	REV
D	28515	01842	A
SCALE: 1:8	WEIGHT:	SHEET 2 OF 3	