

## Why Choose the WOD Series?

The WOD series of enclosures are the ultimate choice for your outdoor racking requirements. Being made of our own rugged Alumiflex®, you'll find it noticeably lighter than steel, yet strong enough to rack even the heaviest equipment. When choosing the WOD series, you have handpicked the highest value in American construction. The WOD-30DDC includes the standard features you have come to expect with DDB, incorporating the versatile strut system for adjustable racking, the security of a 3-point locking system and our patented Alumishield® solar cap to manage heat loads. For those who need more than just our standard enclosure, DDB can also make a truly customized solution with our many available options including HVAC, providing a climate-controlled environment for any electronic equipment, electrical load panels and cable entry solutions to name a few. All of this comes together to create an enclosure able to meet all the unique needs your customers have been seeking. DDB offers a state-of-the-art design, a competitive price, benchmark lead times and a guaranteed delivery, all backed up with an industry leading 15-year warranty on every enclosure. Put DDB's substantial stock to work for you today. Contact our professional staff to assist you with your made-to-order solution.



## Features

- 0.125" Aluminum Construction
- Stainless Steel External Hardware/Hinge
- 3 Point Lock System
- Heavy Duty Out-Door Construction
- Front and Rear Access
- Custom Colors Available
- Cream & Red Powder-Coat in Stock
- Flexible and Scalable
- 15 Year Warranty
- Quick Shipping

## Application Types

- Telecommunications
- Wireless/Broadband
- Fiber Optics
- Back Haul
- Small Cell/DAS
- Public Safety
- Utility
- Base Station
- Military
- Trailer-Based Communications
- Wi-Fi
- LTEE/4G/5G



## Industry Standards:

- NEMA 3R as shown
- NEMA 4 and 4X configurable (unlisted to environmental rating)
- WOD Series Listed to UL 50/50E Type 4 Available
- ETL listed to UL Standard 60950-1/CSA 22.2C

2301 S. HWY 77 Pauls Valley, OK 73075  
T: (800) 753-8459 – F: (877) 220-7236

[sales@ddbunlimited.com](mailto:sales@ddbunlimited.com) [www.ddbunlimited.com](http://www.ddbunlimited.com)

## Weight and Dimensions

- Approximate Exterior Enclosure Dimensions:  
32"H x 32"W x 39"D
- Shipping Dimensions:  
42"W x 48"L - Palletized
- Approximate Shipping Weight:  
180 lbs.

# WOD Series

## WOD-30DDC



### Features

1. Solar Shield (Alumishield)
2. Front and Rear 19" and 23" Reversible Racking Rails
3. Rear Access Door
4. Stainless Steel Door Hinge
5. 3 Point Locking System
6. Powder-Coat Cream
7. Reusable Vent Filters

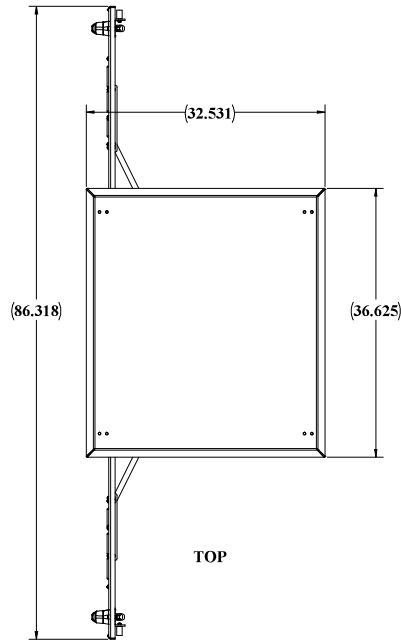
2301 S. HWY 77 Pauls Valley, OK 73075

T: (800) 753-8459 – F: (877) 220-7236

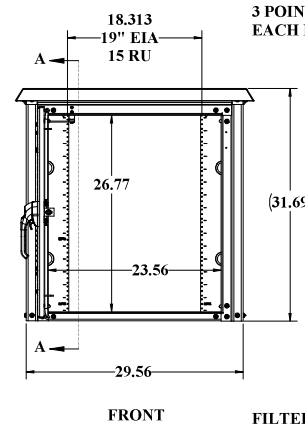
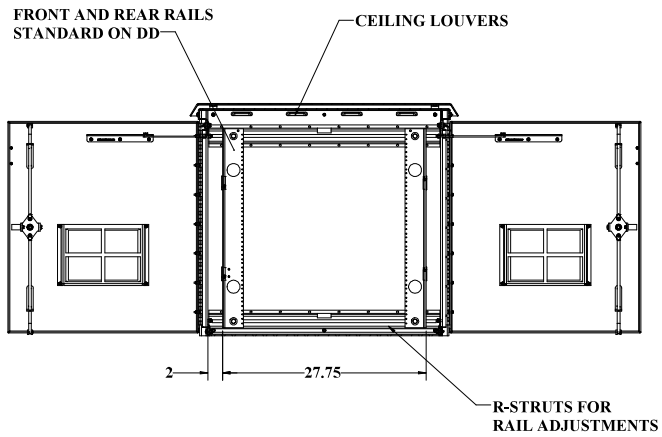
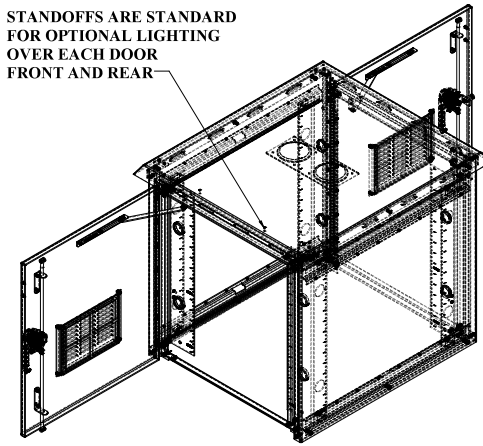
[sales@ddbunlimited.com](mailto:sales@ddbunlimited.com) [www.ddbunlimited.com](http://www.ddbunlimited.com)

WEB DRAWING (NOT FOR FABRICATION)

REVISIONS		
REV.	DESCRIPTION	DATE
A	Initial Web Drawing per DR-00134	6/10/2013
B	Revise to incorporate new components and new drawing template pdr DR-00908	5/13/2014
C	UPDATED DRAWING TO NEW FORMAT PER DR-01940	4/10/2019
D	UPDATED DRAWING WITH DOOR RODS WITH ROLLERS PER DR-02269	4/24/2020

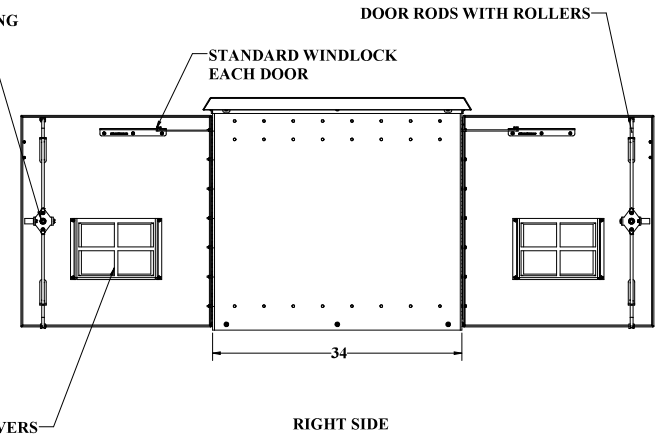


STANDOFFS ARE STANDARD FOR OPTIONAL LIGHTING OVER EACH DOOR FRONT AND REAR



3 POINT LOCKING EACH DOOR

FILTERED LOUVERS



WEB DRAWING (NOT FOR FABRICATION)

UNLESS OTHERWISE SPECIFIED:		NAME	DATE	<b>DDB Unlimited Inc.</b>			
EMPLOYER/AGE OF PAPER:	Model by:	0008	1-24-2014	WOD-XXXX			
ARTICLE:	Drawn by:	zamec	05/03/15	WOD_30/H_DD			
REVISED/ISSUE DETAILS:	DATE:	01/03/15					
PRICE/ORDERING:	Sales Rep. /Buyer C:	64212483					
DATE OF ORDER:	Q.A. Appr. /Inv:	6442750		SHE	Cage Code:	DWC. NO.:	REV
QUANTITY/ALTERNATE:	Prod.Mgr. /Chk:	642870		D	88515	00269	D
MATERIAL: 90-ALUMINUM LETTERS/PAINT:	Created by:			SCALE: 1:12		WEIGHT: 132 lbs.	SHEET 1 OF 3
<b>DO NOT SCALE DRAWING</b>							

UNCLASSIFIED PUBLIC

File Location: (DD8) (PDM View) C:\DD8\Drawing Request\Customer\DD8 WEB DWG\Family WEB\DR-00269 (WOD-30 WEB)

DDB FORM 7.1-2 REV.F 05/02/19

WEB DRAWING (NOT FOR FABRICATION)

4X  $\varnothing \frac{5}{32}$ "  
ETCHING

$\varnothing 26$   
FLOOR ETCHINGS

29.74

$27 \frac{3}{4}$ "  
RAIL FACE  
TO RAIL FACE

$28 \frac{1}{2}$ "  
FLOOR  
ETCHINGS

$38 \frac{3}{4}$ "

$27 \frac{3}{4}$ "  
R-STRUT  
TO R-STRUT

(2.27)

TOP VIEW  
CEILING AND ALUMASHIELD NOT SHOWN

WEB DRAWING (NOT FOR FABRICATION)

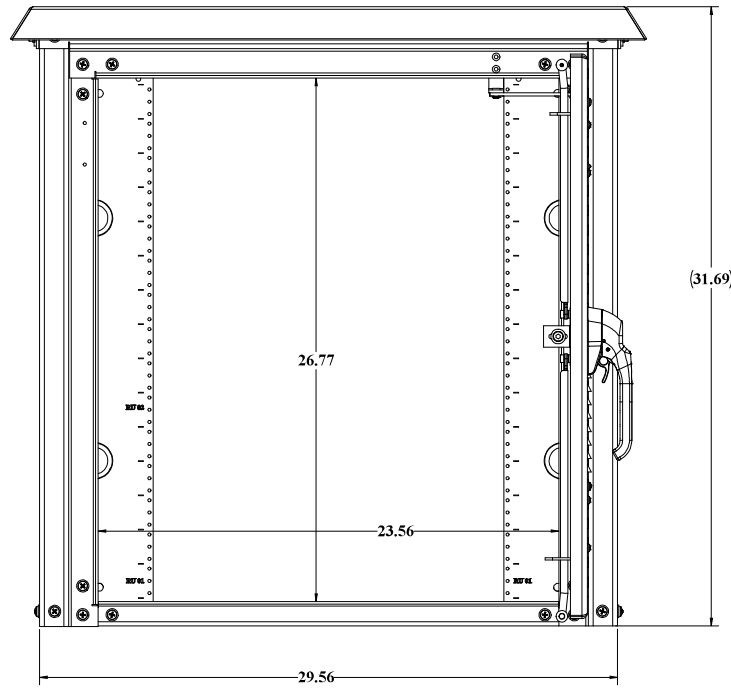
UNLESS OTHERWISE SPECIFIED:		DDB Unlimited Inc.			
DIMENSIONS ARE IN INCHES		DD Closed			
WEIGHTS AND DIMENSIONS	1" = 25.4mm	Enclosure, Family, WOOD DD Closed			
WEIGHTS AND DIMENSIONS	1/16" = 1.5875mm	REV	Cage Code:	DWG. NO.:	REV
WEIGHTS AND DIMENSIONS	1/32" = 0.79375mm	D	88515	00269	D
WEIGHTS AND DIMENSIONS	1/64" = 0.396875mm	SCALE: 1:12   WEIGHT: SHEET 2 OF 3			
PAINT: Diamond Vinyl Rupt Glass Tinted FF-4338					
DO NOT SCALE DRAWING					

UNCLASSIFIED PUBLIC  
THE INFORMATION CONTAINED IN THIS DRAWING IS THE SOLE PROPERTY OF DDB Unlimited, INC. ANY  
REPRODUCTION IN PART OR AS A WHOLE WITHOUT THE WRITTEN PERMISSION OF DDB Unlimited, INC. IS PROHIBITED.

File Location: [DDB] EPDM Vault:  
C:\DDB\Drawing Requests\Customer\DDB WEB DWG\WOOD Family WEB\DR-00269 (WOOD-0000

DDB FORM 7.1-2 REV. A (08/02/17)

WEB DRAWING (NOT FOR FABRICATION)



BACK VIEW  
GASKET NOT SHOWN

WEB DRAWING (NOT FOR FABRICATION)

UNLESS OTHERWISE SPECIFIED:			
WOOD-3000			
DDB Unlimited Inc.			
WOOD, 30" H, DD			
SIZE	Cage Code:	DWG. NO.:	REV
D	88515	00269	D
SCALE: 1:12   WEIGHT: SHEET 3 OF 3			

UNCLASSIFIED PUBLIC  
THE INFORMATION CONTAINED IN THIS DRAWING IS THE SOLE PROPERTY OF DDB Unlimited, INC. ANY REPRODUCTION IN PART OR AS A WHOLE WITHOUT THE WRITTEN PERMISSION OF DDB Unlimited, INC. IS PROHIBITED.

File Location: [DDB] EPDM Vault:  
C:\DDB\Drawing Requests\Customer\DDB WEB DWG\WOOD Family WEB\DR-00269 (WOOD-3000

DDB FORM 7.1-2 REV. A (08/02/17)