

OD Series

OD-16DDC



Why Choose the OD Series?

The OD series of enclosures are the ultimate choice for your outdoor racking requirements. Being made of our own rugged Alumiflex®, you'll find it noticeably lighter than steel, yet strong enough to rack even the heaviest equipment. When choosing the OD series, you have handpicked the highest value in American construction. The OD-16DDC includes the standard features you have come to expect with DDB, incorporating the versatile rail strut R-Strut) system for adjustable racking, the security of a 3-point locking system and our patented Alumishield® solar cap to manage heat loads. For those who need more than just our standard enclosure, DDB can also make a truly customized solution with our many available options including HVAC, providing a climate-controlled environment for any electronic equipment, electrical load panels and cable entry solutions to name a few. All of this comes together to create an enclosure able to meet all of the unique needs your customers have been seeking. DDB offers a state-of-the-art design, a competitive price, benchmark lead times and a guaranteed delivery, all backed up with an industry leading 15-year warranty on every enclosure. Put DDB's substantial stock to work for you today. Contact our professional staff to assist you with your made-to-order solution.



Features

- 0.125" Aluminum Construction
- Stainless Steel External Hardware/Hinge
- 3 Point Lock System
- Heavy Duty Out-Door Construction
- Front and Rear Access
- Custom Colors Available
- Cream Powder-Coat in Stock
- Flexible and Scalable
- 15 Year Warranty
- Quick Shipping

Application Types

- Telecommunications
- Wireless/Broadband
- Fiber Optics
- Back Haul
- Small Cell/DAS
- Public Safety
- Utility
- Base Station
- Military
- Trailer-Based Communications
- Wi-Fi
- LTEE/4G/5G



Industry Standards:

- NEMA 3R as shown
- NEMA 4 and 4X configurable (unlisted to environmental rating)
- OD Series Listed to UL 50/50E Type 4 Available**
- ETL listed to UL Standard 60950-1/CSA 22.2C

2301 S. HWY 77 Pauls Valley, OK 73075

T: (800) 753-8459 – F: (877) 220-7236

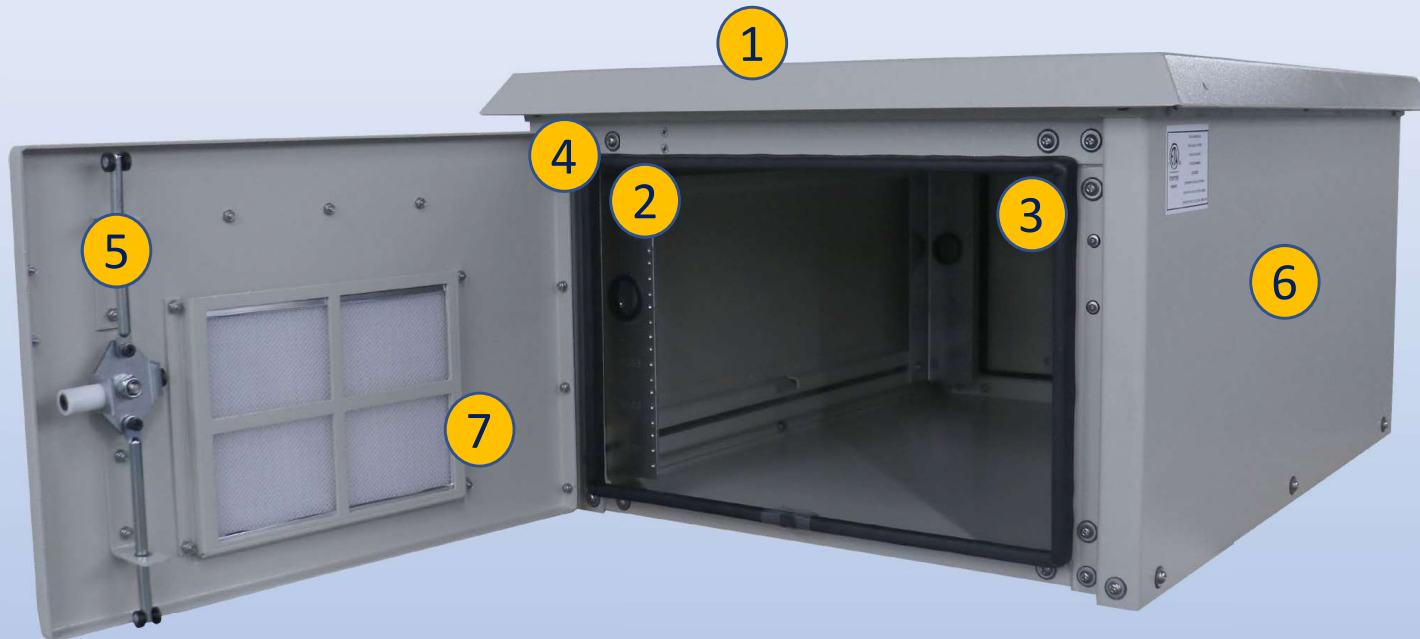
sales@ddbunlimited.com www.ddbunlimited.com

Weight and Dimensions

- Approximate Exterior Enclosure Dimensions:
- 18"H x 28"W x 39"D
- Shipping Dimensions:
- 32"W x 42"L - Palletized
- Approximate Shipping Weight:
- 117lbs.

OD Series

OD-16DDC



Features

1. Solar Shield (Alumishield)
2. Front and Rear 19" Adjustable Racking Rails
3. Rear Access Door
4. Stainless Steel Door Hinge
5. 3 Point Locking System
6. Powder coat cream
7. Reusable Vent Filters

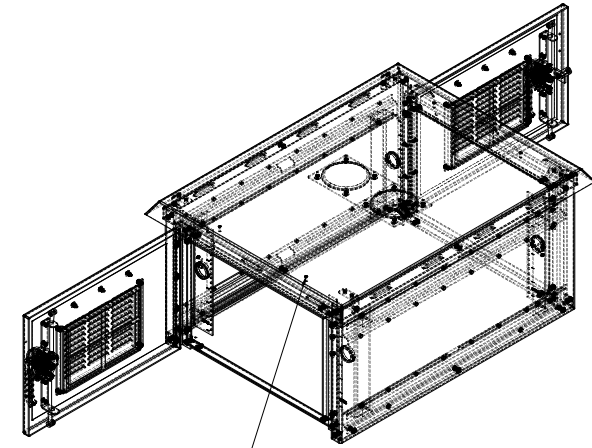
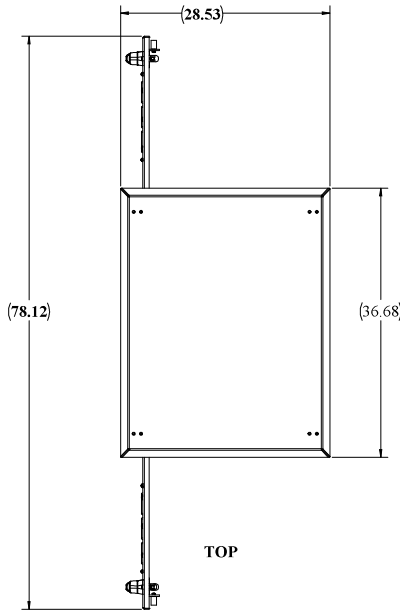
2301 S. HWY 77 Pauls Valley, OK 73075

T: (800) 753-8459 – F: (877) 220-7236

sales@ddbunlimited.com www.ddbunlimited.com

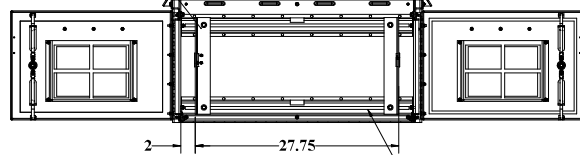
WEB DRAWING (NOT FOR FABRICATION)

REVISIONS		
REV.	DESCRIPTION	DATE
A	Web Drawing per DR-00420	11/14/2011
B	UPDATE TO REFLECT NEW COMPONENTS AND NEW DWG TEMPLATE	5/8/2014
C	UPDATED WITH 2019 FORMAT	2/11/2019
D	UPDATED DRAWING WITH DOOR RODS WITH ROLLERS PER DR-02252	3/26/2020



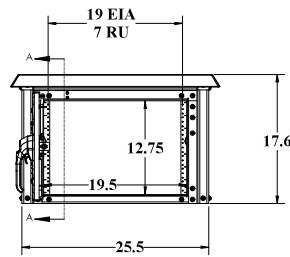
STANDOFFS STANDARD FOR OPTIONAL LIGHTING OVER EACH DOOR

FRONT AND REAR RAIL STANDARD ON DD

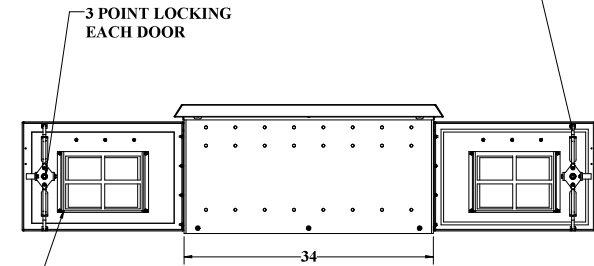


SECTION A-A
SCALE 1 : 8

R-STRUTS FOR RAIL ADJUSTMENTS



FRONT

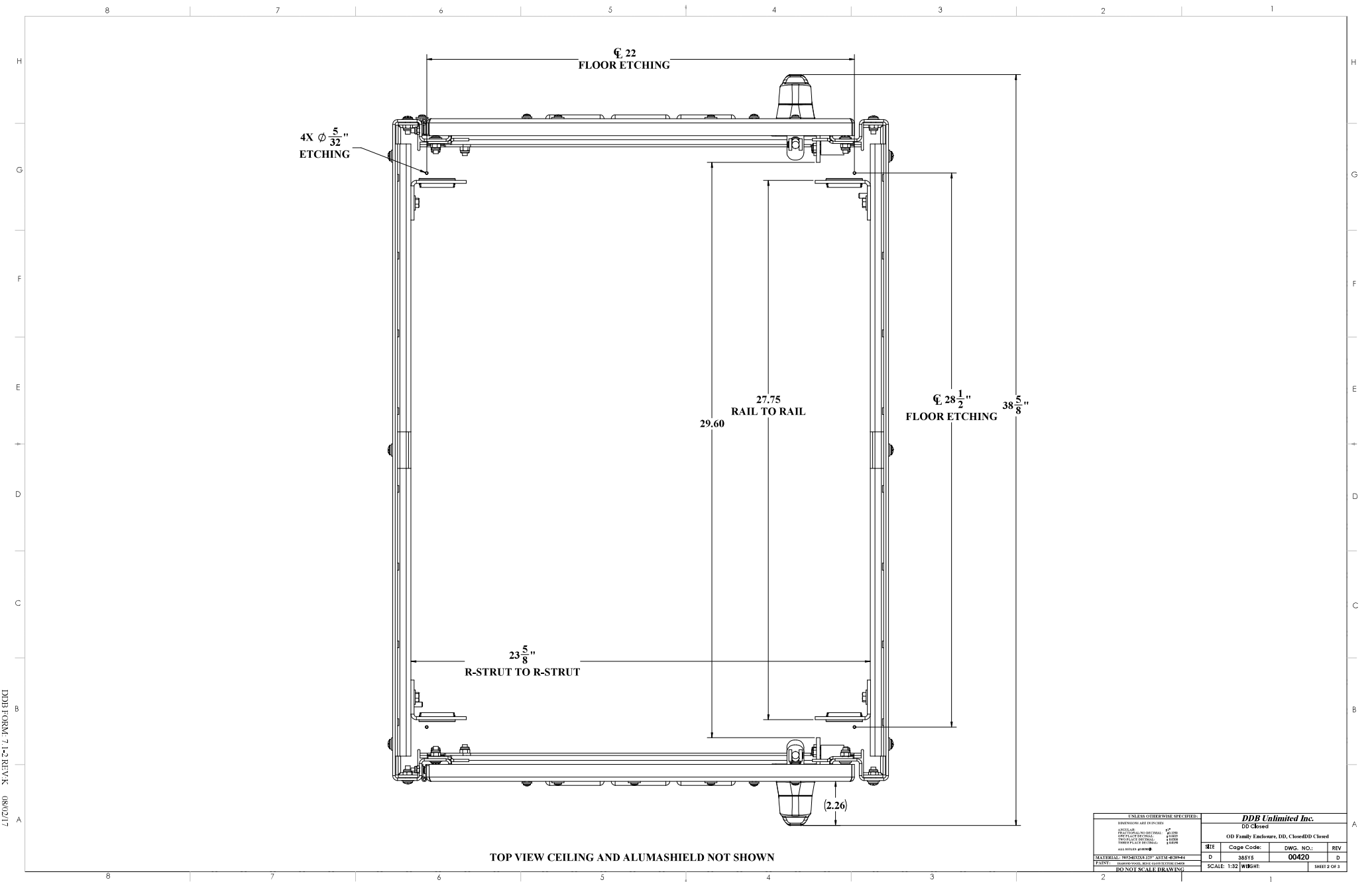


RIGHT SIDE

WEB DRAWING (NOT FOR FABRICATION)

UNLESS OTHERWISE SPECIFIED:		NAME	DATE	DDB Unlimited Inc.			
COMPONENTS AND PARTS	Model by:	0508	11/14/2011	OD Family Enclosures			
APPLICABLE STANDARDS	Drawn by:	Maxwell	02/23/19	Enclosure, OD, 16, DD			
INDUSTRY STANDARDS	Checked by:	01/18/19					
INDUSTRY STANDARDS	Sales Rep. by:	01/15/11					
INDUSTRY STANDARDS	Q.A. Appr. by:	01/27/10		SHE	Cage Code:	DWG. NO.:	REV
INDUSTRY STANDARDS	Prod. Mgr. by:	01/27/10		D	38515	00420	D
MATERIALS: SEE PARTS LIST FOR MATERIALS	Checked by:			SCALE: 1:32 WEK-HF:84 Etc. SHEET 1 OF 3			
FASTENERS: SEE PARTS LIST FOR FASTENERS	DO NOT SCALE DRAWING						

UNCLASSIFIED PUBLIC



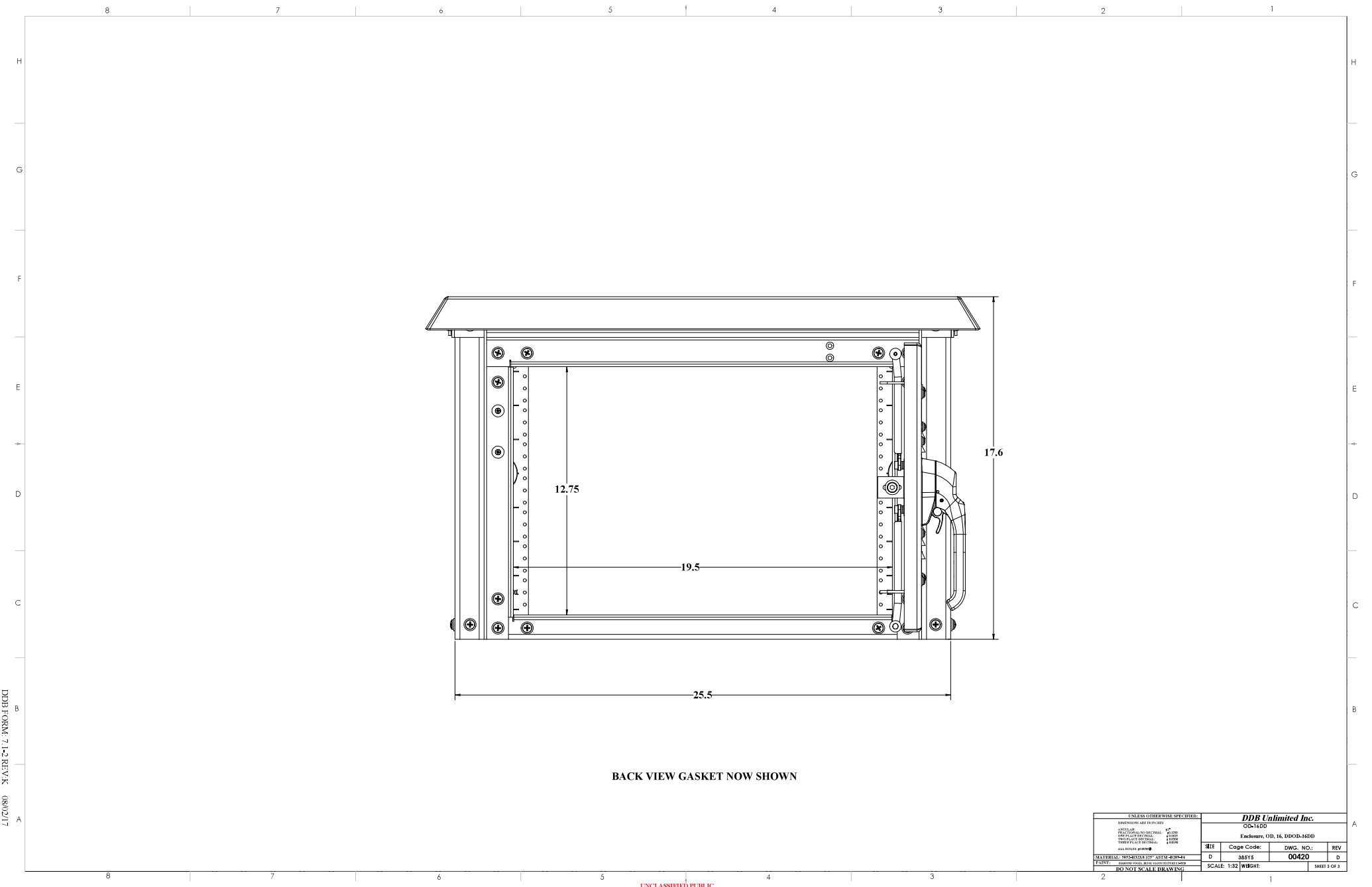
DDB FORM 7.1-2 REV. A (08/02/17)

TOP VIEW CEILING AND ALUMASHIELD NOT SHOWN

UNLESS OTHERWISE SPECIFIED:			
DIMENSIONS ARE IN INCHES			
FINISH	1" DIA.		
DRILLING	0.0100		
TOLERANCE	0.0050		
THREADS	PER ANSI B1.1		
ALL DIMENSIONS	±0.0050		
MATERIALS: UNLESS OTHERWISE SPECIFIED, ALL DIMENSIONS ARE IN INCHES			
FINISH: UNLESS OTHERWISE SPECIFIED, ALL DIMENSIONS ARE IN INCHES			
DO NOT SCALE DRAWING			
DDB Unlimited Inc.			
DDB Cases			
DDB Family - Enclosure, DB, Closed/DB Closed			
REV	Case Code:	DWG. NO.:	REV
D	28515	00420	D
SCALE: 1:32		WEIGHT:	SHEET 2 OF 3

UNCLASSIFIED PUBLIC
 THE INFORMATION CONTAINED IN THIS DRAWING IS THE SOLE PROPERTY OF DDB Unlimited, INC. ANY
 REPRODUCTION IN PART OR AS A WHOLE WITHOUT THE WRITTEN PERMISSION OF DDB Unlimited, INC. IS PROHIBITED.

File Location: (DDB) (EPDM Vault)
 C:\DDB\Drawing Request\Customers\128 WEB DWG\OD Family WEB\DR-00420 (DB-16DD)\



BACK VIEW GASKET NOW SHOWN

UNLESS OTHERWISE SPECIFIED:			
DIMENSIONS ARE IN INCHES			
ASSEMBLY TOLERANCES	1"		
FINISH TOLERANCES	0.005		
DRILLING TOLERANCES	0.005		
THREAD TOLERANCES	1:1000		
WELD TOLERANCES	1:100		
ALL DIMENSIONS UNLESS OTHERWISE SPECIFIED			
MATERIAL SPECIFICATIONS	SEE DRAWING		
PAINT	SEE DRAWING		
DO NOT SCALE DRAWING			
DDB Unlimited Inc. 05-16DD Emmons, O.D. 16, DBOB-16DD		REV	REV
		Code Code:	DWG. NO.: 00420
SCALE 1:32		W88HT:	SHEET 3 OF 3

UNCLASSIFIED PUBLIC
 THE INFORMATION CONTAINED IN THIS DRAWING IS THE SOLE PROPERTY OF DDB Unlimited, INC. ANY REPRODUCTION IN PART OR AS A WHOLE WITHOUT THE WRITTEN PERMISSION OF DDB Unlimited, INC. IS PROHIBITED.

File Location: (DDB) EPDM Vault
 C:\DDB\Drawing Request\Customers\168 WEB DWG\CD Family WEB\DR-00420 (05-16DD)\

DDB FORM 7.1-2 REV 08/02/17