

# OD Series

## OD-30DDC

## Why Choose the OD Series?

The OD series of enclosures are the ultimate choice for your outdoor racking requirements. Being made of our own rugged, Alumiflex®, you'll find it noticeably lighter than steel, yet strong enough to rack even the heaviest equipment. When choosing the OD series, you have handpicked the highest value in American construction. The OD-30DDC includes the standard features you have come to expect with DDB, incorporating the versatile rail strut (R-Strut) system for adjustable racking, the security of a 3- point locking system and our patented Alumishield® solar cap to manage heat loads. For those who need more than just our standard enclosure, DDB can also make a truly customized solution with our many available options including HVAC; providing a climate-controlled environment for any electronic equipment, electrical load panels and cable entry solutions to name a few. All of this comes together to create an enclosure able to meet all of the unique needs your customers have been seeking. DDB offers a state-of-the-art design, a competitive price, benchmark lead times and a guaranteed delivery, all backed up with an industry leading 15-year warranty on every enclosure. Put DDB's substantial stock to work for you today. Contact our professional staff to assist you with your made-to-order solution.



## Features

- 0.125" Aluminum Construction
- Stainless Steel External Hardware/Hinge
- 3 Point Lock System
- Heavy Duty Out-Door Construction
- Front and Rear Access
- Custom Colors Available
- Cream Powder-Coat in Stock
- Flexible and Scalable
- 15 Year Warranty
- Quick Shipping

## Application Types

- Telecommunications
- Wireless/Broadband
- Fiber Optics
- Back Haul
- Small Cell/DAS
- Public Safety
- Utility
- Base Station
- Military
- Trailer-Based Communications
- Wi-Fi
- LTEE/4G/5G



## Industry Standards:

- NEMA 3R as shown
- NEMA 4 and 4X configurable (unlisted to environmental rating)
- OD Series Listed to UL 50/50E Type 4 Available**
- ETL listed to UL Standard 60950-1/CSA 22.2C

2301 S. HWY 77 Pauls Valley, OK 73075  
T: (800) 753-8459 – F: (877) 220-7236

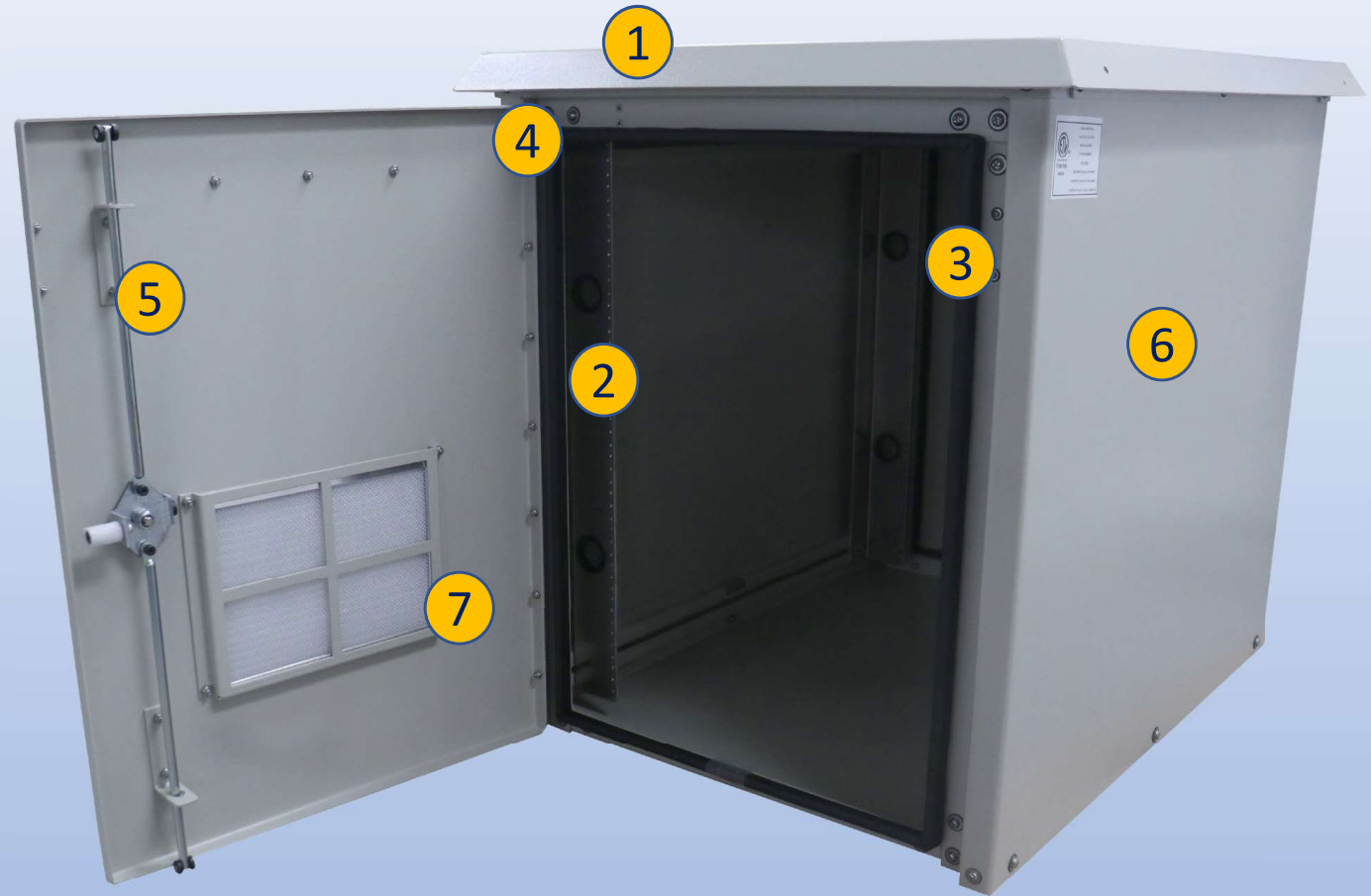
[sales@ddbunlimited.com](mailto:sales@ddbunlimited.com) [www.ddbunlimited.com](http://www.ddbunlimited.com)

## Weight and Dimensions

- Approximate Exterior Enclosure Dimensions:  
32"H x 28"W x 39"D
- Shipping Dimensions:  
32"W x 42"L - Palletized
- Approximate Shipping Weight:  
144 lbs.

# OD Series

## OD-30DDC



### Features

1. Solar Shield (Alumishield)
2. Front and Rear 19" Adjustable Racking Rails
3. Rear Access Door
4. Stainless Steel Door Hinge
5. 3 Point Locking System
6. Powder-Coat Cream
7. Reusable Vent Filters

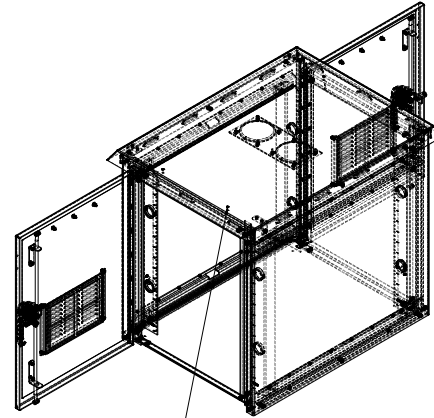
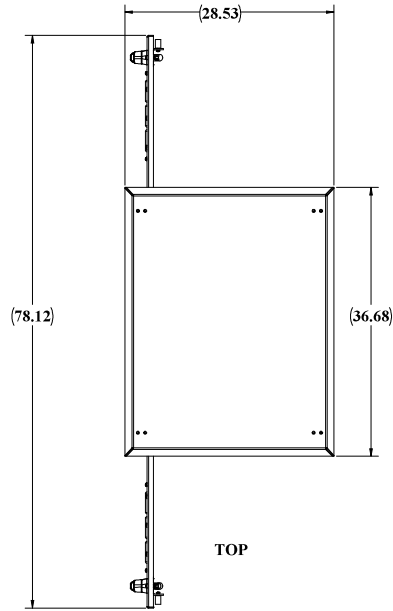
2301 S. HWY 77 Pauls Valley, OK 73075

T: (800) 753-8459 – F: (877) 220-7236

[sales@ddbunlimited.com](mailto:sales@ddbunlimited.com) [www.ddbunlimited.com](http://www.ddbunlimited.com)

WEB DRAWING (NOT FOR FABRICATION)

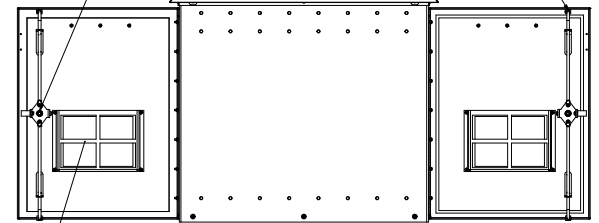
REVISIONS		
REV.	DESCRIPTION	DATE
A	Web Drawing per DR-00424	11/15/2011
B	Update to new template and components per DR-00918	5/8/2014
C	UPDATED WITH 2019 FORMAT	2/13/2019
D	UPDATED DRAWING WITH DOOR RODS WITH ROLLERS PER DR-02254	4/2/2020



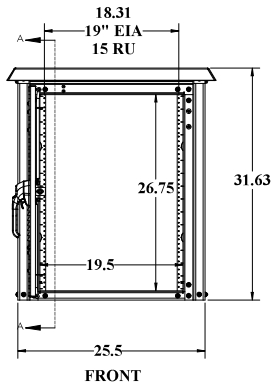
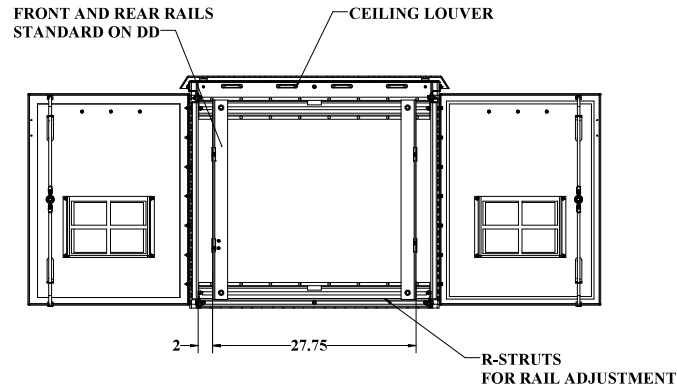
STANDOFFS STANDARD FOR OPTIONAL LIGHTING OVER EACH DOOR

DOOR RODS WITH ROLLERS

3 POINT LOCKING EACH DOOR



RIGHT SIDE



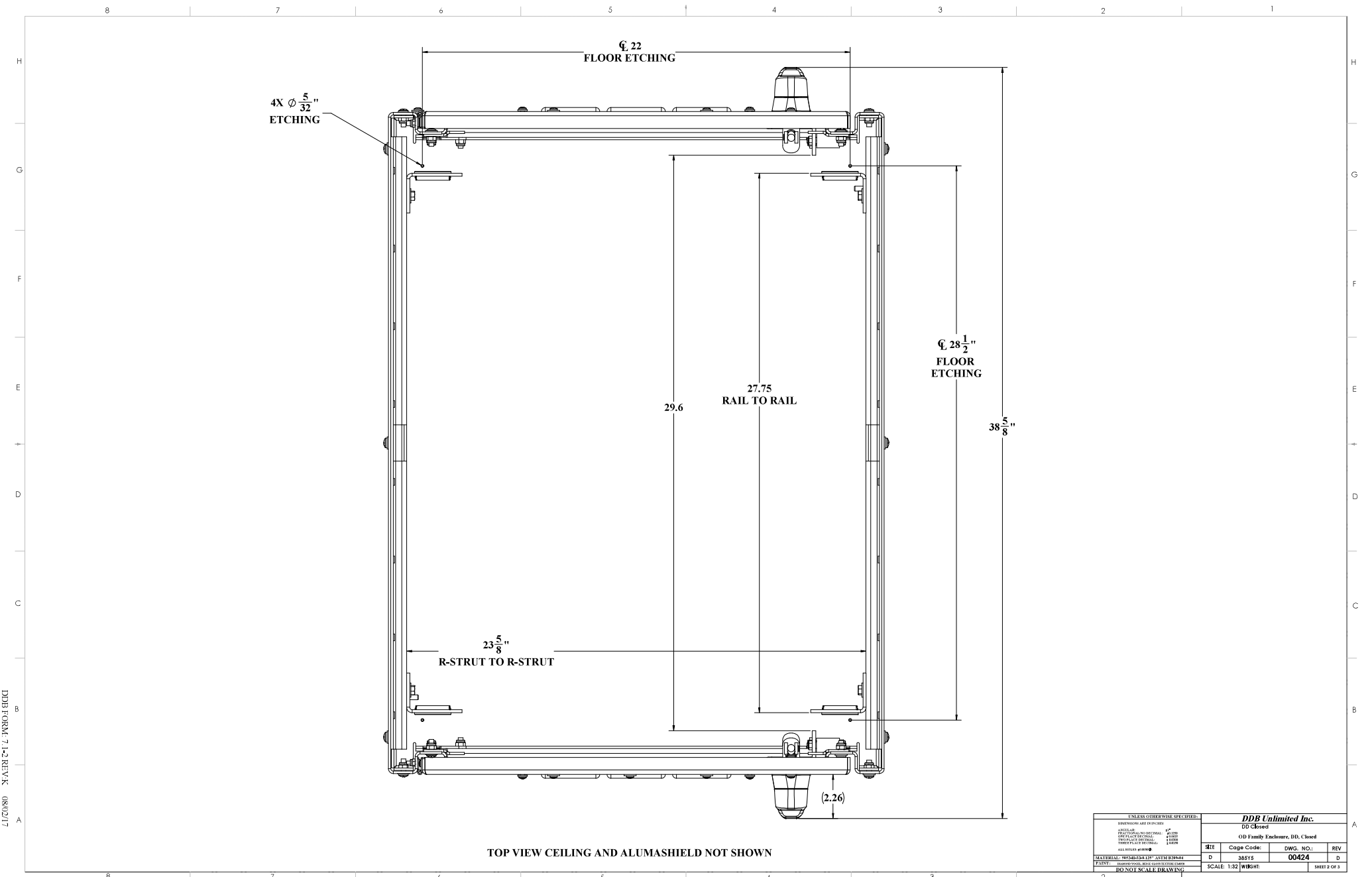
FILTERED LOUVERS

WEB DRAWING (NOT FOR FABRICATION)

UNLESS OTHERWISE SPECIFIED:		NAME	DATE	<b>DDB Unlimited Inc.</b>			
COMPONENTS AND FITTINGS	Model by: 0008	11/15/2011	OD Family Engineers				
APPLICABLE STANDARDS	Drawn by: Mar-05	02/23/11	Enclosure, ODB, 36" DDD				
DESIGNATION	Part No: 0000	01/01/11					
DESCRIPTION	Part No: 0000	01/01/11					
DATE OF ISSUE	Sales Rep: Bryan C	11/16/11	SHE	Cage Code:	DWG. NO.:	REV	
DATE OF ISSUE	Q.A. Appr: bry	04/06/20	D	38515	00424	D	
DATE OF ISSUE	Prod.Mgr: Ch465	04/06/20	SCALE: 1:32   WEIGHT: 111 lbs.   SHEET 1 OF 3				
MATERIAL: *SPRINKLER RAIL SYSTEMS FABRZ: *HAWKINS, WEAVER, AND ASSOCIATES, INC. DO NOT SCALE DRAWING							

UNCLASSIFIED PUBLIC

File Location: (DDB)\EPDM Vsp\Dr\ C:\DDI\Drawing Requests\Customers\ODD WEB\_DWG\OD Family WEB\_DR-00424 (OD-3002

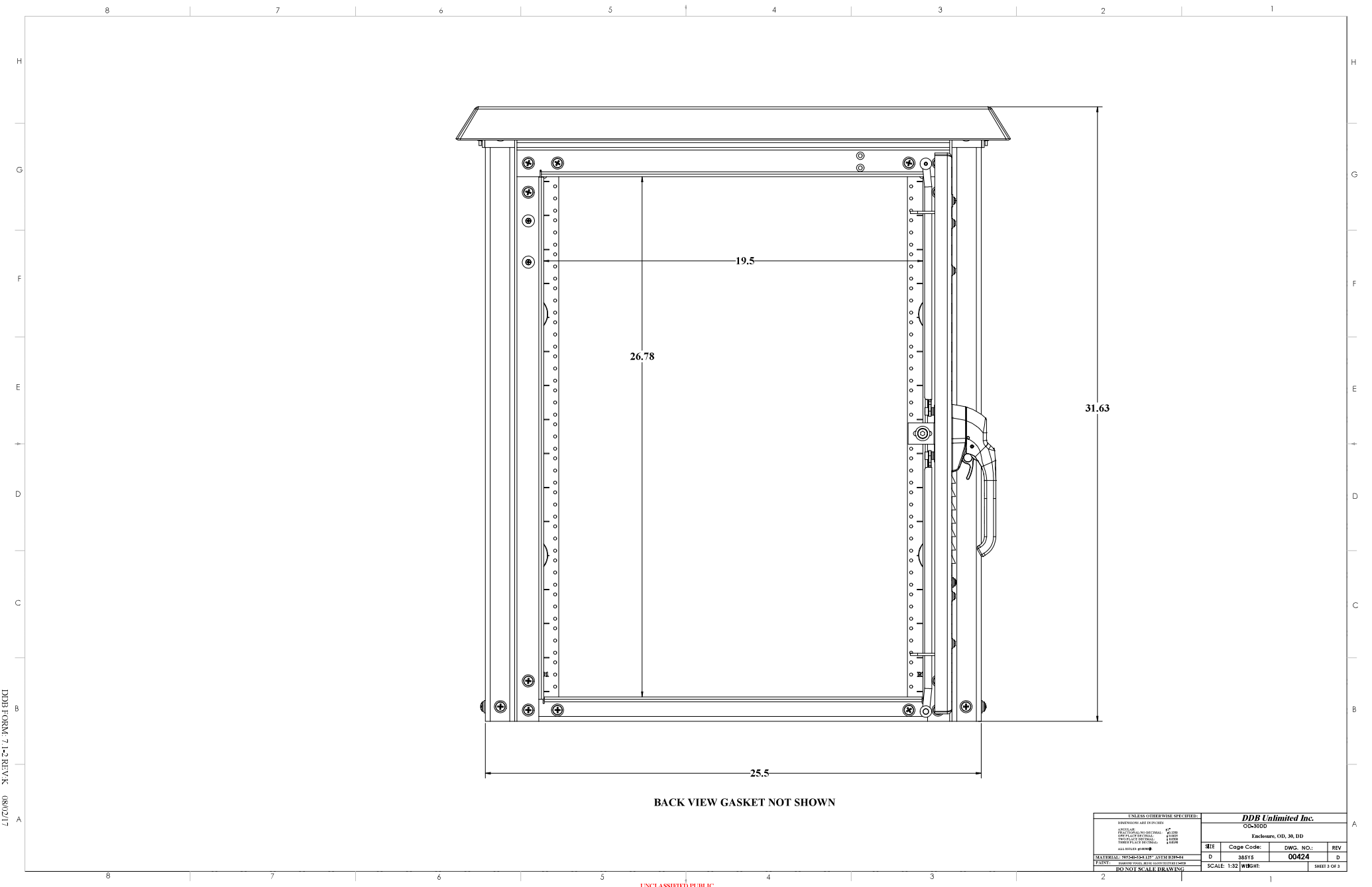


DDB FORM 7.1-2 REV. A (08/02/17)

TOP VIEW CEILING AND ALUMASHIELD NOT SHOWN

UNCLASSIFIED PUBLIC  
 THE INFORMATION CONTAINED IN THIS DRAWING IS THE SOLE PROPERTY OF DDB Unlimited, INC. ANY REPRODUCTION IN PART OR AS A WHOLE WITHOUT THE WRITTEN PERMISSION OF DDB Unlimited, INC. IS PROHIBITED.

UNLESS OTHERWISE SPECIFIED:			
DIMENSIONS ARE IN INCHES			
FINISH	1"		
DRYFILM THICKNESS	0.003		
DRYFILM WEIGHT	0.001		
DRYFILM TENSILE	1500		
DRYFILM ELONGATION	100		
DRYFILM ADHESION	100		
ALL DIMENSIONS ARE TO FACE UNLESS OTHERWISE SPECIFIED			
MATERIALS SPECIFICATIONS	ALUMINUM		
PAINT	ANODIZED ALUMINUM		
DO NOT SCALE DRAWING			
DDB Unlimited Inc.		DD Closed	
011 Family Hardware, DD, Closed			
SER	Code Code:	DWG. NO.:	REV
D	38515	00424	D
SCALE 1:32		WBHT:	SHEET 2 OF 3



BACK VIEW GASKET NOT SHOWN

UNLESS OTHERWISE SPECIFIED:			
DIMENSIONS ARE IN INCHES			
FINISH	NO. OF COATS	1"	100
DRY TIME	NO. OF COATS	1/2"	100
DRY TIME	NO. OF COATS	1/4"	100
DRY TIME	NO. OF COATS	1/8"	100
DRY TIME	NO. OF COATS	1/16"	100
ALL DIMENSIONS PER DWG			
MATERIALS SPECIFICATIONS ARE LISTED IN DWG			
PAINT: DOWNSIDE PAINT SYSTEMS			
DO NOT SCALE DRAWING			
<b>DDB Unlimited Inc.</b>		Specimens: OD, SR, DD	
OS-300D			
REV	Code Code:	DWG. NO.:	REV
D	28515	00424	D
SCALE: 1:32		WBHT:	SHEET 2 OF 3

UNCLASSIFIED PUBLIC  
 THE INFORMATION CONTAINED IN THIS DRAWING IS THE SOLE PROPERTY OF DDB Unlimited, INC. ANY REPRODUCTION IN PART OR AS A WHOLE WITHOUT THE WRITTEN PERMISSION OF DDB Unlimited, INC. IS PROHIBITED.

File Location: (DDB) EPDM Vault  
 C:\DDB\Drawing Request\Customer\1148 WEB DWG\OD Family WEB\DR-00424 (OD-300D)\

DDB FORM 7.1-2 REV/AK 08/02/17