

OD Series

OD-50DDC



Why Choose the OD Series?

The OD series of enclosures are the ultimate choice for your outdoor racking requirements. Being made of our own rugged, Alumiflex®, you'll find it noticeably lighter than steel, yet strong enough to rack even the heaviest equipment. When choosing the OD series, you have handpicked the highest value in American construction. The OD-50DDC includes the standard features you have come to expect with DDB, incorporating the versatile rail strut (R-Strut) system for adjustable racking, the security of a 3- point locking system and our patented Alumishield® solar cap to manage heat loads. For those who need more than just our standard enclosure, DDB can also make a truly customized solution with our many available options including HVAC; providing a climate-controlled environment for any electronic equipment, electrical load panels and cable entry solutions to name a few. All of this comes together to create an enclosure able to meet all of the unique needs your customers have been seeking. DDB offers a state-of-the-art design, a competitive price, benchmark lead times and a guaranteed delivery, all backed up with an industry leading 15-year warranty on every enclosure. Put DDB's substantial stock to work for you today. Contact our professional staff to assist you with your made-to-order solution.

Application Types

- Telecommunications
- Wireless/Broadband
- Fiber Optics
- Back Haul
- Small Cell/DAS
- Public Safety
- Utility
- Base Station
- Military
- Trailer-Based Communications
- Wi-Fi
- LTEE/4G/5G



Environmental & Safety Ratings:

- ✓ NEMA 3R (shown above)
- ✓ NEMA 4 and 4X configurable (not shown)
- ✓ OD-50 Series, ETL environmentally listed to UL 50/50E, Type 4's
Available here: <https://www.ddbunlimited.com/new-ul-50e-listed/>
- ✓ ETL listed; Safety Requirements, UL 62368-1:2019 Ed.3, CSA C22.2

2301 S. HWY 77 Pauls Valley, OK 73075

T: (800) 753-8459 – F: (877) 220-7236

sales@ddbunlimited.com www.ddbunlimited.com



Features

- 0.125" Aluminum Construction
- Stainless Steel External Hardware/Hinge
- 3 Point Lock System
- Heavy Duty Out-Door Construction
- Front and Rear Access
- Custom Colors Available
- Cream Powder-Coat in Stock
- Flexible and Scalable
- 15 Year Warranty
- Quick Shipping

Weight and Dimensions

Approximate Exterior Enclosure Dimensions:

51"H x 28"W x 39"D

Shipping Dimensions:

32"W x 42"L - Palletized

Approximate Shipping Weight:

184 lbs.

OD Series

OD-50DDC



Features

1. Solar Shield (Alumishield)
2. Front and Rear 19" Adjustable Racking Rails, 52 RU's
3. Rear Access Door
4. Stainless Steel Door Hinge
5. 3-Point Locking System
6. Powder-Coat Cream
7. Reusable Vent Filters



Installation, operating and
safety instructions can be
downloaded here

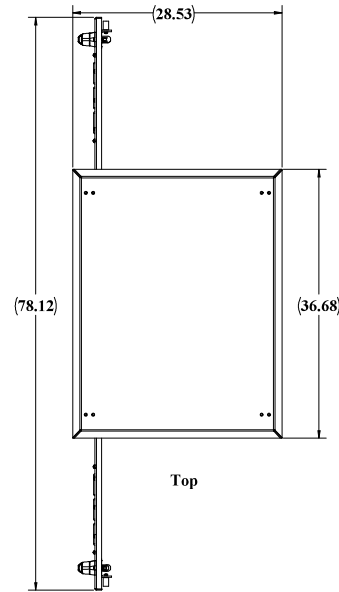


Scan this code for
replacement parts

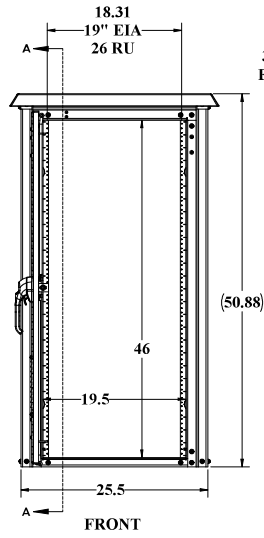
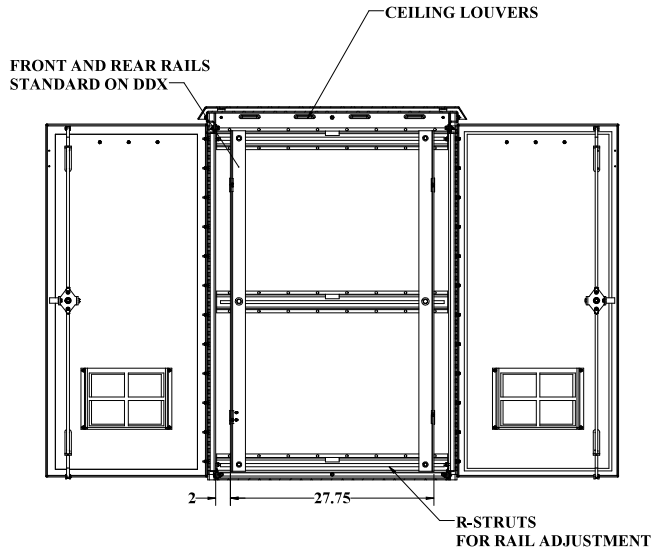
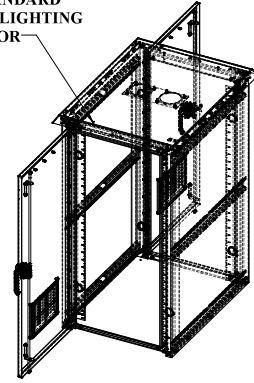


WEB DRAWING (NOT FOR FABRICATION)

REVISIONS		
REV.	DESCRIPTION	DATE
A	Web Drawing per DR-00425	11/15/2011
B	Add new components and DWG template to WEB DWG per DR-00921	5/12/2014
C	UPDATED TO NEW 2019 TEMPLATES	3/1/2019
D	UPDATED DRAWING WITH DOOR RODS WITH ROLLERS PER DR-02257	4/8/2020

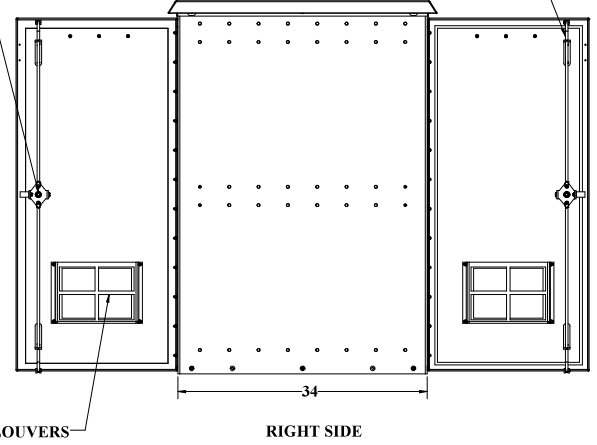


STANDOFFS STANDARD FOR OPTIONAL LIGHTING OVER EACH DOOR



3 POINT LOCKING EACH DOOR

DOOR RODS WITH ROLLERS

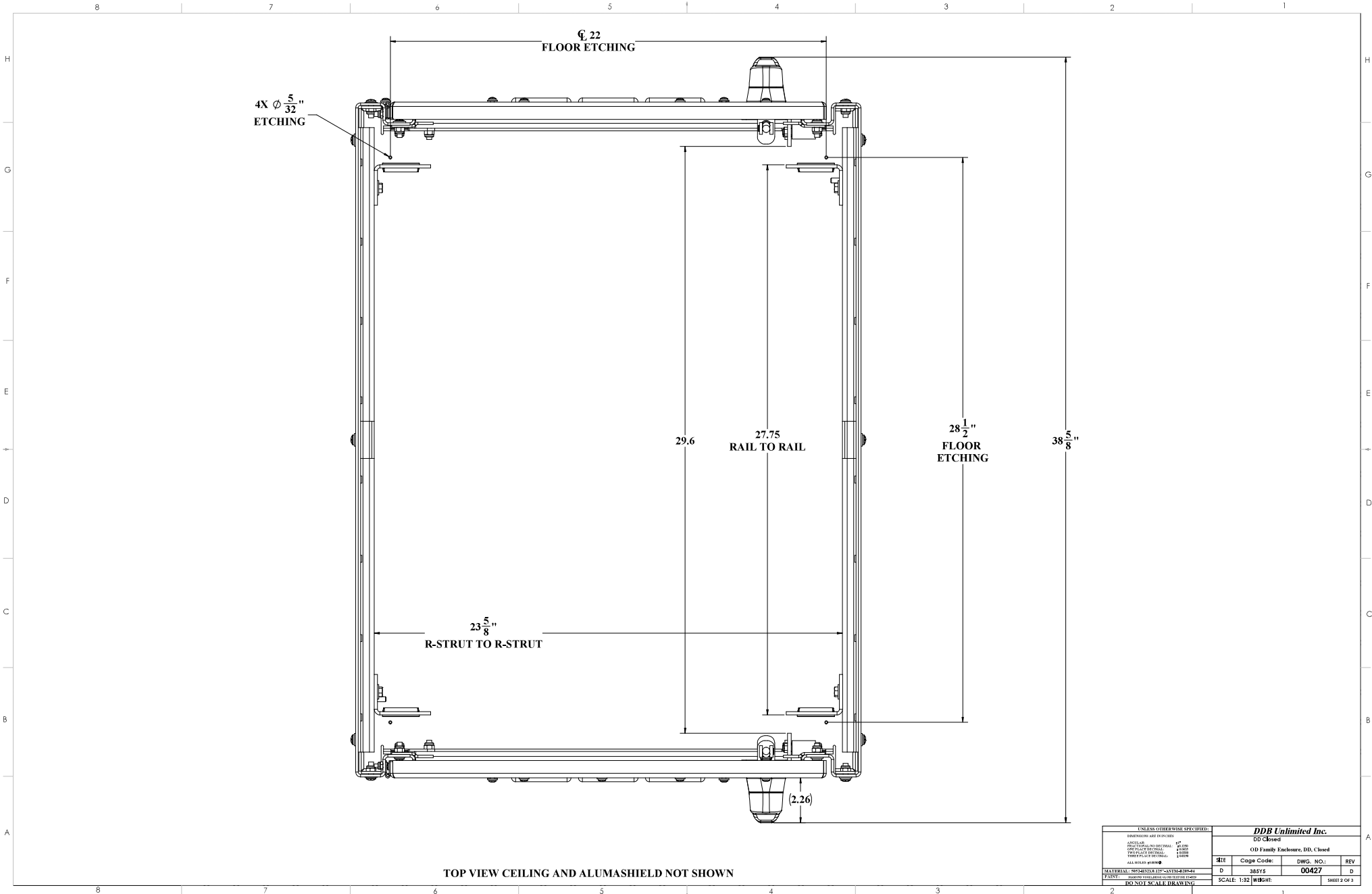


WEB DRAWING (NOT FOR FABRICATION)

UNLESS OTHERWISE SPECIFIED:		NAME	DATE	DDB Unlimited Inc.			
COMPONENTS AND PARTS:	Model No.:	0008	11/15/11	OD Family Engineers			
ARTICULAR:	Drawn by:	sever	04/08/20	Inclusion: OJD, SU, DTD			
DRILLING AND TAPING:	Part No.:	0008	11/15/11	Sales Rep.: Boyce C			
FINISH AND PAINTING:	Q.A. Appr.:	Mary	04/20/20	SHEET	Cage Code:	DWG. NO.:	REV
ALL DIMENSIONS UNLESS OTHERWISE SPECIFIED:	Prod. Mgr.:	Chase	04/21/20	D	88515	00427	D
MATERIALS: SEE RELATED SPECIFICATIONS	Created by:			SCALE: 1:32 WEIGHT: 151 lbs.			
FABRIC: HANSON VISION SYSTEMS CORPORATION				SHEET 1 OF 3			
DO NOT SCALE DRAWING							

UNCLASSIFIED PUBLIC

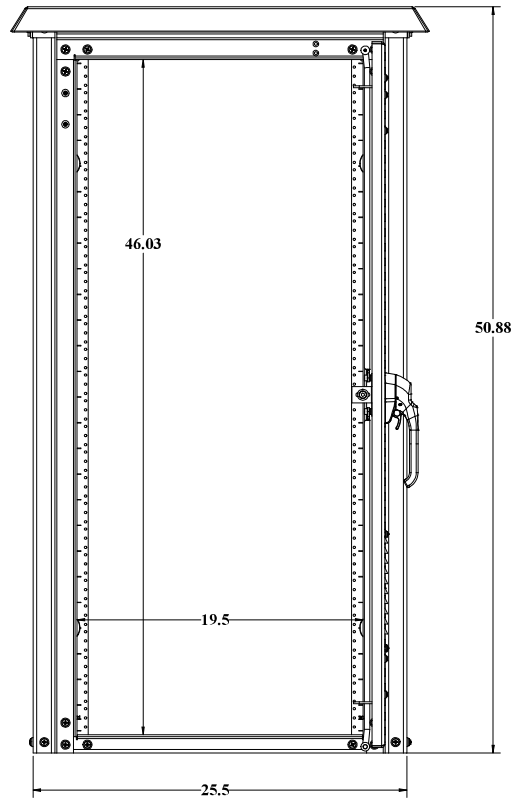
DDB FORM 7.1-2 REV. A (08/02/17)



UNCLASSIFIED PUBLIC
 THE INFORMATION CONTAINED IN THIS DRAWING IS THE SOLE PROPERTY OF DDB Unlimited, INC. ANY
 REPRODUCTION IN PART OR AS A WHOLE WITHOUT THE WRITTEN PERMISSION OF DDB Unlimited, INC. IS PROHIBITED.

UNLESS OTHERWISE SPECIFIED:			
DDB CP-500			
DIMENSION	UNIT		
LENGTH	IN		
DIAMETER	IN		
THICKNESS	IN		
FINISH	AS SHOWN		
ALL DIMENSIONS ARE TO CENTER UNLESS OTHERWISE SPECIFIED			
MATERIAL: ALUMINUM 6061-T6			
FINISH: ANODIZED ALUMINUM			
DDB NOT SCALE DRAWING			
DDB Unlimited Inc.		011 Family Kitchens, BD, Closed	
REV	Code Code:	DWG. NO.:	REV
D	28515	00427	D
SCALE: 1:32		W88HT:	SHEET 2 OF 3

DDB FORM 7.1-2 REV. A (08/02/17)



BACK VIEW GASKET NOT SHOWN

UNLESS OTHERWISE SPECIFIED:			
DIMENSIONS ARE IN INCHES			
FINISH	NO. OF COATS	1"	2"
PRIME	1	1/8"	1/4"
TRIM	1	1/8"	1/4"
ALL OTHERS	AS SHOWN		
MATERIALS SPECIFIED ARE TO BE USED UNLESS OTHERWISE NOTED			
PAINT: DAWSON'S ENAMEL 2000/1540			
DO NOT SCALE DRAWING			
DDB Unlimited Inc.		02-5000	
Jacksonville, OH, 44310			
REV	Code Code:	DWG. NO.:	REV
D	28515	00427	D
SCALE: 1:32		WEIGHT:	SHEET 2 OF 3

UNCLASSIFIED PUBLIC
THE INFORMATION CONTAINED IN THIS DRAWING IS THE SOLE PROPERTY OF DDB Unlimited, INC. ANY REPRODUCTION IN PART OR AS A WHOLE WITHOUT THE WRITTEN PERMISSION OF DDB Unlimited, INC. IS PROHIBITED.

File Location: (DDB) EPDM Vault
C:\DDB\Drawing Request\Customers\1248 WEB DWG\CD Family WEB\DR-00427 (02-5000)\