



Why Choose the OD Series?

The OD series of enclosures are the ultimate choice for your outdoor racking requirements. Being made of our own rugged Alumiflex®, you'll find it noticeably lighter than steel, yet strong enough to rack even the heaviest equipment. When choosing the OD series, you have handpicked the highest value in American construction. The OD-50DDX includes the standard features you have come to expect with DDB, incorporating the versatile strut system for adjustable racking, the security of a 3-point locking system and our patented Alumishield® solar cap to manage heat loads. For those who need more than just our standard enclosure, DDB can also make a truly customized solution with our many available options including HVAC, providing a climate-controlled environment for any electronic equipment, electrical load panels and cable entry solutions to name a few. All of this comes together to create an enclosure able to meet all of the unique needs our customers have been seeking. DDB offers a state-of-the-art design, a competitive price, benchmark lead times and a guaranteed delivery, all backed up with an industry leading 15-year warranty on every enclosure. Put DDB's substantial stock to work for you today. Contact our professional staff to assist you with your made-to-order solution.

Application Types

- Telecommunications
- Wireless/Broadband
 - Fiber Optics
 - Back Haul
- Small Cell/DAS
- Public Safety
- Utility
- Base Station
- Military
- Trailer-Based Communications
 - Wi-Fi
 - LTEE/4G/5G



Environmental & Safety Ratings:

- ✓ NEMA 3R (shown above)
- ✓ NEMA 4 and 4X configurable (not shown)
- ✓ OD-50 Series, ETL environmentally listed to UL 50/50E, Type 4's
Available here: <https://www.ddbunlimited.com/new-ul-50e-listed/>
- ✓ ETL listed; Safety Requirements, UL 62368-1:2019 Ed.3, CSA C22.2

2301 S. HWY 77 Pauls Valley, OK 73075
T: (800) 753-8459 – F: (877) 220-7236

sales@ddbunlimited.com www.ddbunlimited.com



Features

- 0.125" Aluminum Construction
- Stainless Steel External Hardware/Hinge
- 3 Point Lock System
- Heavy Duty Out-Door Construction
- Front and Rear Access
- Flexible and Scalable
- 15 Year Warranty
- Quick Shipping

Weight and Dimensions

Approximate Exterior Enclosure Dimensions:

51"H x 28"W x 47"D

Shipping Dimensions:

32"W x 52"L - Palletized

Approximate Shipping Weight:

214 lbs.

OD Series

OD-50DDX



Features

1. Alumishield
2. Front and Rear 19" Adjustable Racking Rails, 52 RU's
3. Rear Access Door
4. Stainless Steel Door Hinge
5. 3 Point Locking System
6. Reusable Vent Filters



Installation, operating and
safety instructions can be
downloaded here



Scan this code for
replacement parts



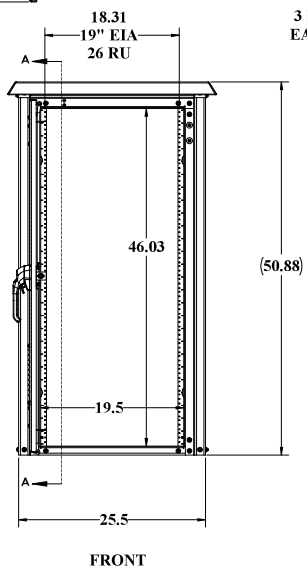
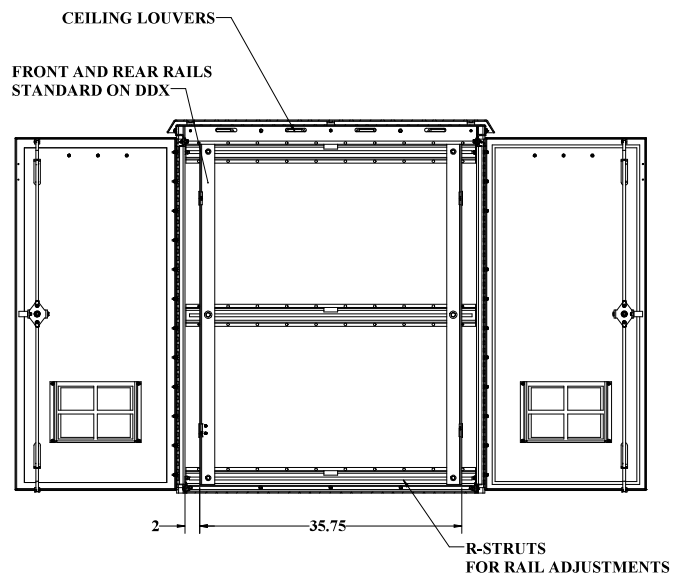
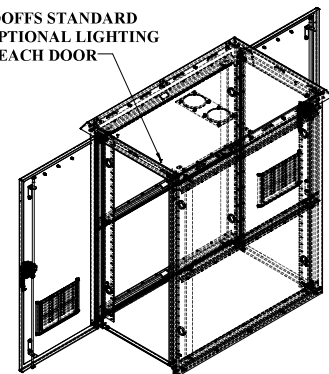
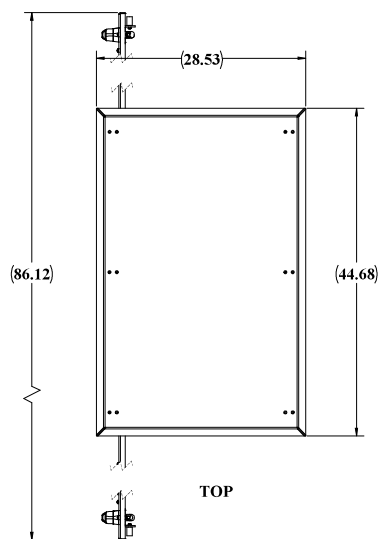
2301 S. HWY 77 Pauls Valley, OK 73075

T: (800) 753-8459 – F: (877) 220-7236

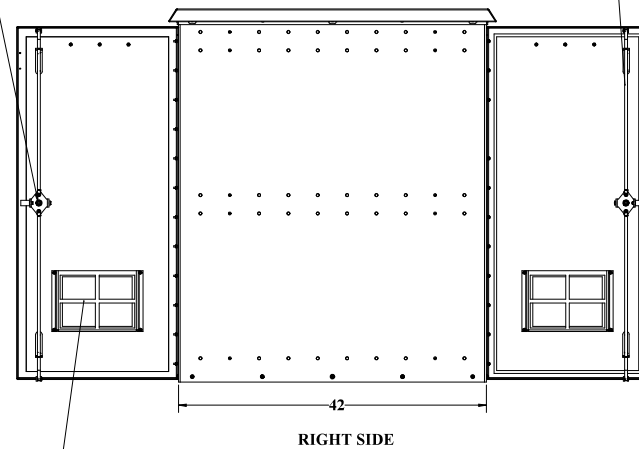
sales@ddbunlimited.com www.ddbunlimited.com

WEB DRAWING (NOT FOR FABRICATION)

REVISIONS		
REV.	DESCRIPTION	DATE
A	Web Drawing per DR-00425	11/15/2011
B	Add new components and DWG template to WEB DWG per DR-00922	5/12/2014
C	UPDATED TO 2019 FORMAT	3/1/2019
D	UPDATED DRAWING WITH DOOR ROD ROLLERS PER DR-02258	4/8/2020



3 POINT LOCKING EACH DOOR



WEB DRAWING (NOT FOR FABRICATION)

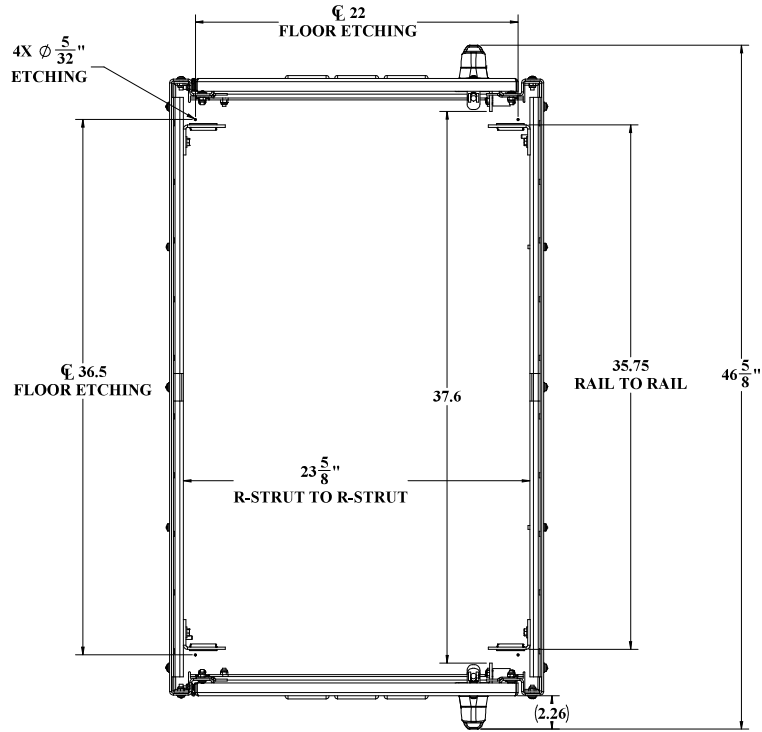
UNLESS OTHERWISE SPECIFIED:		NAME	DATE	DDB Unlimited Inc.			
DRAWING SCALE OR NOTES:		Model by:	0006	OT Family Endorses			
APPROVAL:		Drawn by:	zamec	Endorse: 00, 50, 100%			
FILE NUMBER:	00425	Sales Rep./Buyer C:	11/16/11	SHE	Cage Code:	DWG. NO.:	REV
DATE:	04/10/19	Q.A. Appr:	Marty	04/20/19	D	00428	D
QTY:	1	Prod.Mgr.:	Clarek	04/21/20			
MATERIALS: SP-029164-00000000000000		Sheet Name:		SCALE: 1:32		WEIGHT: 171 lbs.	
P&NS: www.ddb.com/qa/qaindex.cfm		Created by:				SHEET 1 OF 1	
DO NOT SCALE DRAWING							

UNCLASSIFIED PUBLIC

File Location: (DDB)\PDM\Prod\... C:\DDB\Drawing Request\Customer\DDX WEB DWG\OD Family WEB\DR-00428 (0D-500D)

DDB FORM 7.1-2 REV.F 05/02/19

WEB DRAWING (NOT FOR FABRICATION)



TOP VIEW CEILING AND ALUMASHIELD NOT SHOWN

WEB DRAWING (NOT FOR FABRICATION)

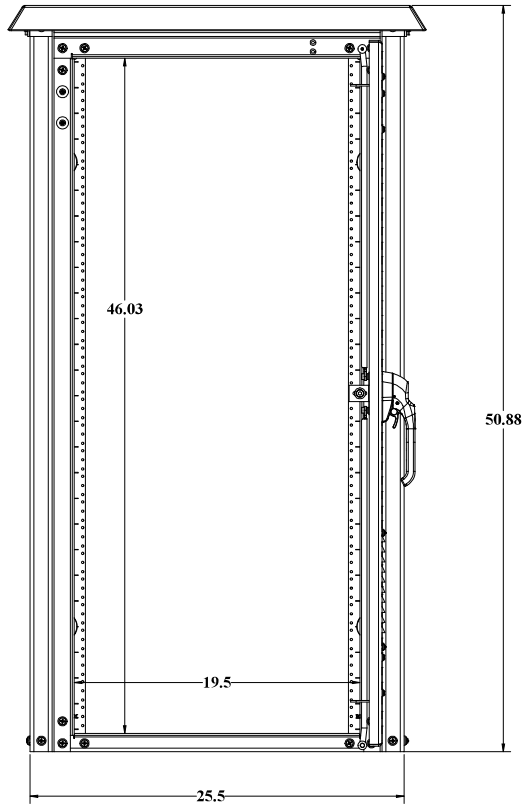
UNLESS OTHERWISE SPECIFIED:			
DIMENSIONS ARE IN INCHES			
FINISH	Ø	1"	Ø
DRILLING	Ø	Ø	Ø
DRILLING	Ø	Ø	Ø
DRILLING	Ø	Ø	Ø
DRILLING	Ø	Ø	Ø
ALL DIMENSIONS PER DWG			
MATERIALS SPECIFIED PER DRAWING			
PAINT: ANTI-CORROSION COATING			
DO NOT SCALE DRAWING			
DDB Family Enclosure, DD, Closed		DDB, Closed	
REV	Code Code:	DWG. NO.:	REV
D	28515	00428	D
SCALE: 1:32		WEIGHT:	SHEET 2 OF 3

UNCLASSIFIED PUBLIC
THE INFORMATION CONTAINED IN THIS DRAWING IS THE SOLE PROPERTY OF DDB Unlimited, INC. ANY REPRODUCTION IN PART OR AS A WHOLE WITHOUT THE WRITTEN PERMISSION OF DDB Unlimited, INC. IS PROHIBITED.

File Location: (DDB) (EPDM Vault)
C:\DDB\Drawing Requests\Customer\DDB WEB DWG\DD Form\ WEB\DR-00428 (00-50DDX)\

DDDB FORM 7.1-2 REV 08/02/17

WEB DRAWING (NOT FOR FABRICATION)



BACK VIEW GASKET NOT SHOWN

WEB DRAWING (NOT FOR FABRICATION)

UNLESS OTHERWISE SPECIFIED:		DDB Unlimited Inc.	
DIMENSIONS ARE IN INCHES		GD-505DX	
FINISH	1" DIM	EACHWAY, OD, SA, DEX	
ASSEMBLY TOLERANCE	±0.005	REV	00428
DRYING TOLERANCE	±0.005	Code Code:	DWG. NO.:
TRAFFIC FINISH	±0.005	D	D
DRYER FINISH	±0.005	SCALE: 1:32	WEIGHT:
ALL DIMENSIONS PER DWG		SHEET 2 OF 3	
MATERIAL SPECIFICATIONS PER DWG		D	
FINISH: QUANTITIES ARE QUANTITIES		SCALE: 1:32	
DO NOT SCALE DRAWING		SHEET 2 OF 3	

UNCLASSIFIED PUBLIC
 THE INFORMATION CONTAINED IN THIS DRAWING IS THE SOLE PROPERTY OF DDB Unlimited, INC. ANY
 REPRODUCTION IN PART OR AS A WHOLE WITHOUT THE WRITTEN PERMISSION OF DDB Unlimited, INC. IS PROHIBITED.

File Location: (DDB) (EPDM Vault)
 C:\DDB\Drawing Requests\Customer\DOB WEB DWG\02 Form\ WEB\DR-00428 (00-505DX)

DDB FORM 7.1-2 REV. A (08/02/17)