

# OD Series

## OD-62DD



## Why Choose the OD Series?

The OD series of enclosures are the ultimate choice for your outdoor racking requirements. Being made of our own rugged Alumiflex®, you'll find it noticeably lighter than steel, yet strong enough to rack even the heaviest equipment. When choosing the OD series, you have handpicked the highest value in American construction. The OD-62DD includes the standard features you have come to expect with DDB, incorporating the versatile strut system for adjustable racking, the security of a 3-point locking system and our patented Alumishield® solar cap to manage heat loads. For those who need more than just our standard enclosure, DDB can also make a truly customized solution with our many available options including HVAC, providing a climate-controlled environment for any electronic equipment, electrical load panels and cable entry solutions to name a few. All of this comes together to create an enclosure able to meet all of the unique needs your customers have been seeking. DDB offers a state-of-the-art design, a competitive price, benchmark lead times and a guaranteed delivery, all backed up with an industry leading 15-year warranty on every enclosure. Put DDB's substantial stock to work for you today. Contact our professional staff to assist you with your made-to-order solution.

### Application Types

- Telecommunications
- Wireless/Broadband
- Fiber Optics
- Back Haul
- Small Cell/DAS
- Public Safety
- Utility
- Base Station
- Military
- Trailer-Based Communications
- WiFi
- LTEE/4G/5G



### Environmental & Safety Ratings:

- ✓ NEMA 3R, IP 24 (shown above)
- ✓ NEMA 4 and 4X, IP 66 configurable (not shown)
- ✓ OD-62 Series, ETL environmentally listed to UL 50/50E, Type 4's  
Available here: <https://www.ddbunlimited.com/new-ul-50e-listed/>
- ✓ ETL listed; Safety Requirements, UL 62368-1:2019 Ed.3, CSA C22.2

2301 S. HWY 77 Pauls Valley, OK 73075  
T: (800) 753-8459 – F: (877) 220-7236

[sales@ddbunlimited.com](mailto:sales@ddbunlimited.com) [www.ddbunlimited.com](http://www.ddbunlimited.com)



### Features

- 0.125" Aluminum Construction
- Stainless Steel External Hardware/Hinge
- 3 Point Lock System
- Heavy Duty Out-Door Construction
- Front and Rear Access
- Flexible and Scalable
- 15 Year Warranty
- Quick Shipping

### Weight and Dimensions

Approximate Exterior Enclosure Dimensions:

63"H x 28"W x 39"D

Shipping Dimensions:

32"W x 42"L - Palletized

Approximate Shipping Weight:

207 lbs.

# OD Series

## OD-62DD



### Features

1. Alumishield
2. Front and Rear 19" Adjustable Racking Rails, 66 RU's
3. Rear Access Door
4. Stainless Steel Door Hinge
5. 3 Point Locking System
6. Reusable Vent Filters



Installation, operating and  
safety instructions can be  
downloaded here



Scan this code for  
replacement parts



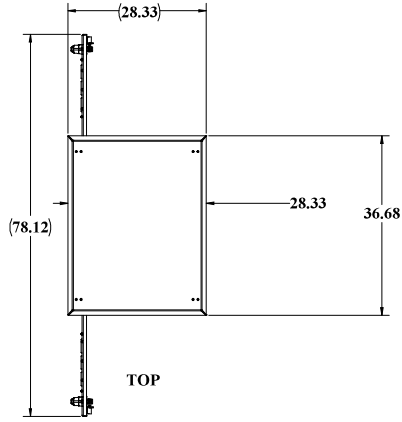
2301 S. HWY 77 Pauls Valley, OK 73075

T: (800) 753-8459 – F: (877) 220-7236

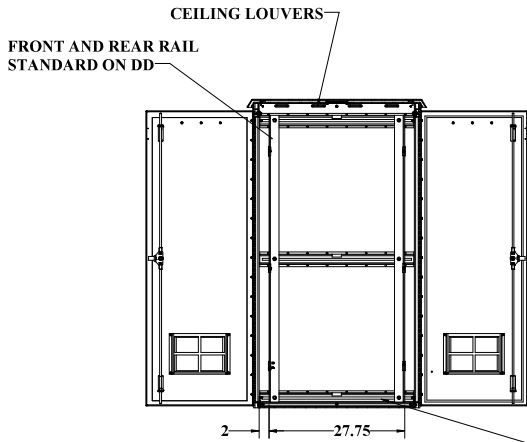
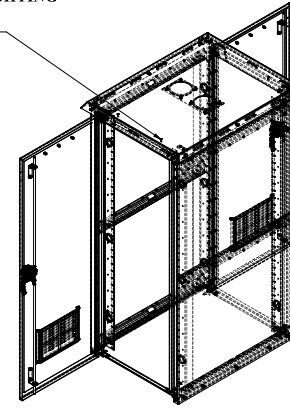
[sales@ddbunlimited.com](mailto:sales@ddbunlimited.com) [www.ddbunlimited.com](http://www.ddbunlimited.com)

WEB DRAWING (NOT FOR FABRICATION)

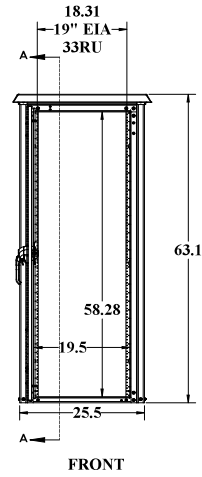
REVISIONS		
REV.	DESCRIPTION	DATE
A	Web Drawing per DR-00425	11/15/2011
B	Add new components and DWG template to WEB DWG per DR-00924	5/12/2014
C	UPDATED TO 2019 FORMAT	3/4/2019



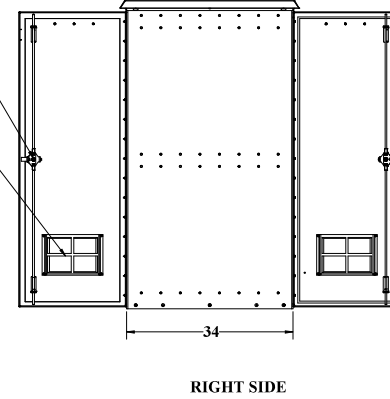
STANDOFFS STANDARD FOR OPTIONAL LIGHTING OVER EACH DOOR FRONT AND REAR



R-STRUTS FOR RAIL ADJUSTMENTS



3 POINT LOCKING EACH DOOR  
FILTERED LOUVERS



WEB DRAWING (NOT FOR FABRICATION)

UNLESS OTHERWISE SPECIFIED:		NAME	DATE	DDB Unlimited Inc.		
CONSTRUCTION LINE OR STYLE	Model by:	0008	11/15/2011	OD Family End-users		
ARTICLE NO.	Drawn by:	Man-05	09/04/10	Inches: 0/8, 62, D/D		
REV. NO. AND DESCRIPTION	Scale-Rep:	Boys C	11/16/11	SHEET	CAGE CODE:	DWG. NO.:
DATE OF LAST REVISION	Q.A. Appr:	109	01/08/10	D	38515	00430
DATE OF THIS REVISION	Prod.Mgr.:	Ch65	09/10/10	C		
DATE OF THIS REVISION	Created by:			SCALE:	1:32	WEIGHT: 174 lbs.
MATERIAL: 304 STAINLESS STEEL 1/2" THICK	DO NOT SCALE DRAWING					SHEET 1 OF 3

THE INFORMATION CONTAINED IN THIS DRAWING IS THE SOLE PROPERTY OF DDB Unlimited, INC. ANY REPRODUCTION IN PART OR AS A WHOLE WITHOUT THE WRITTEN PERMISSION OF DDB Unlimited, INC. IS PROHIBITED.

DDB FORM 7.1-2 REV.F 02/11/19

WEB DRAWING (NOT FOR FABRICATION)

4X  $\phi \frac{17}{32}$ "  
ETCHING

$\phi 22$   
FLOOR ETCHING

29.62

$28\frac{1}{2}$ "  
FLOOR ETCHING

$27\frac{3}{4}$ "  
RAIL TO RAIL

$38\frac{5}{8}$ "

$23\frac{5}{8}$ "  
R-STRUT TO R-STRUT

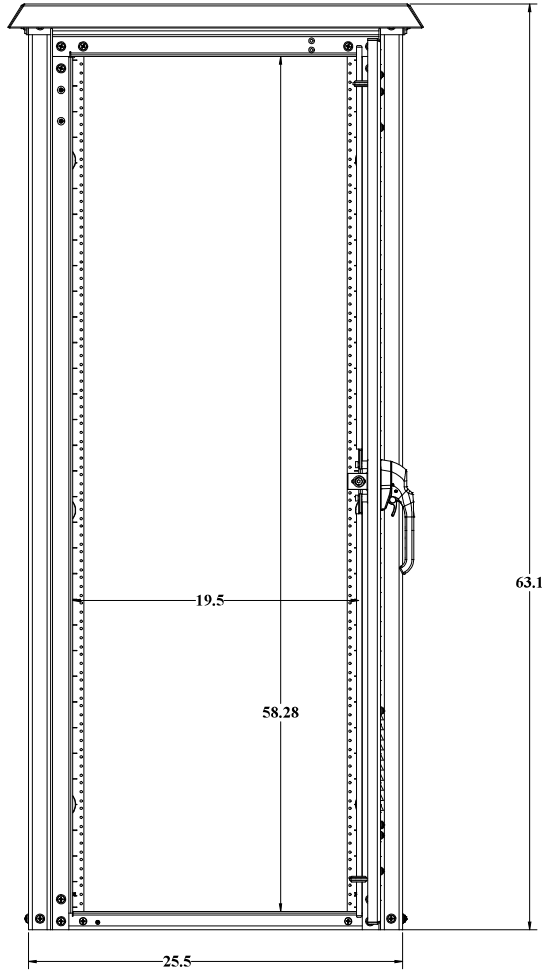
2.26

WEB DRAWING (NOT FOR FABRICATION)

TOP VIEW. ALUM SHIELD AND CEILING IS HIDDEN IN THIS VIEW

UNLESS OTHERWISE SPECIFIED:		NAME	DATE	<b>DDB Unlimited Inc.</b>			
DESCRIPTION AND QUANTITY	Model No. : 0008	1-31-2014	OD Family Enclosures				
APPROVAL	Drawn By: Marv C	09/01/10	OD Family Enclosures, EIO, Closed				
DATE AND TIME	Sales Rep: Boyce C	11/16/11	SHE	Cage Code:	DWG. NO.:	REV	
DATE AND TIME	Q.A. Appr: bry	01/08/13	D	38515	00430	C	
DATE AND TIME	Prod.Mgr: ChaeS	09/10/10	SCALE: 1:32	WEIGHT:	SHEET 2 OF 3		
MATERIAL: 6061-T6 ALUMINUM EXTRUSION FABRZ: HANSON MANUFACTURING COMPANY DO NOT SCALE DRAWING							

WEB DRAWING (NOT FOR FABRICATION)



BACK VIEW GASKET NOW SHOWN

WEB DRAWING (NOT FOR FABRICATION)

UNLESS OTHERWISE SPECIFIED:		NAME	DATE	<b>DDB Unlimited Inc.</b>			
DIMENSIONS ARE IN INCHES	Model by:	MOB	1-21-2014	OD Family Endnotes			
APPROVAL	Drawn by:	Manus	09/04/19	Inches: 0/0, 62, D/D			
FOR CONSTRUCTION	Sales Rep:	Boyc C	11/06/11	SHE	Cage Code:	DWG. NO.:	REV
FOR FIELD USE	Q.A. Appr:	BY	01/08/19	D	38515	00430	C
FIELD USE ONLY	Prod.Mgr:	Chick	09/10/19	SCALE: 1:32		WEIGHT:	SHEET 3 OF 3
FOR FABRICATION	MATERIAL: <b>SPRING STEEL 5160-0.0030-0.0015</b>		FABRICATION: <b>MANUFACTURING COMPANY</b>		DO NOT SCALE DRAWING		

THE INFORMATION CONTAINED IN THIS DRAWING IS THE SOLE PROPERTY OF DDB Unlimited, INC. ANY REPRODUCTION IN PART OR AS A WHOLE WITHOUT THE WRITTEN PERMISSION OF DDB Unlimited, INC. IS PROHIBITED.

DDB FORM 7.1-2 REV.F 02/11/19