

# OD Series

## POD-16DXC



## Why Choose the OD Series?

The OD series of enclosures are the ultimate choice for your outdoor racking requirements. Being made of our own rugged Alumiflex®, you'll find it noticeably lighter than steel, yet strong enough to rack even the heaviest equipment. When choosing the OD series, you have handpicked the highest value in American construction. The POD-16DXC includes the standard features you have come to expect with DDB, incorporating the versatile rail strut (R-Strut) system for adjustable racking, the security of a 3- point locking system and our patented Alumishield® solar cap to manage heat loads. For those who need more than just our standard enclosure, DDB can also make a truly customized solution with our many available options including HVAC, providing a climate-controlled environment for any electronic equipment, electrical load panels and cable entry solutions to name a few. All of this comes together to create an enclosure able to meet all of the unique need's customers have been seeking. DDB offers a state-of-the-art design, a competitive price, benchmark lead times and a guaranteed delivery, all backed up with an industry leading 15-year warranty on every enclosure. Put DDB's substantial stock to work for you today. Contact our professional staff to assist you with your made-to-order solution.

## Application Types

- Telecommunications
- Wireless/Broadband
- Fiber Optics
- Back Haul
- Small Cell/DAS
- Public Safety
- Utility
- Base Station
- Military
- Trailer-Based Communications
- Wi-Fi
- LTEE/4G/5G



## Environmental & Safety Ratings:

- ✓ NEMA 3R (shown above)
- ✓ NEMA 4 and 4X configurable (not shown)
- ✓ OD-16 Series, ETL environmentally listed to UL 50/50E, Type 4's  
Available here: <https://www.ddbunlimited.com/new-ul-50e-listed/>
- ✓ ETL listed; Safety Requirements, UL 62368-1:2019 Ed.3, CSA C22.2

2301 S. HWY 77 Pauls Valley, OK 73075

T: (800) 753-8459 – F: (877) 220-7236

[sales@ddbunlimited.com](mailto:sales@ddbunlimited.com) [www.ddbunlimited.com](http://www.ddbunlimited.com)



## Features

- 0.125" Aluminum Construction
- Stainless Steel External Hardware/Hinge
- 3 Point Lock System
- Heavy Duty Out-Door Construction
- Front and Rear Access
- Custom Colors Available
- Cream Powder Coat, standard
- Flexible and Scalable
- 15 Year Warranty
- Quick Shipping

## Weight and Dimensions

Approximate Exterior Enclosure Dimensions:

18"H x 28"W x 30"D

Shipping Dimensions:

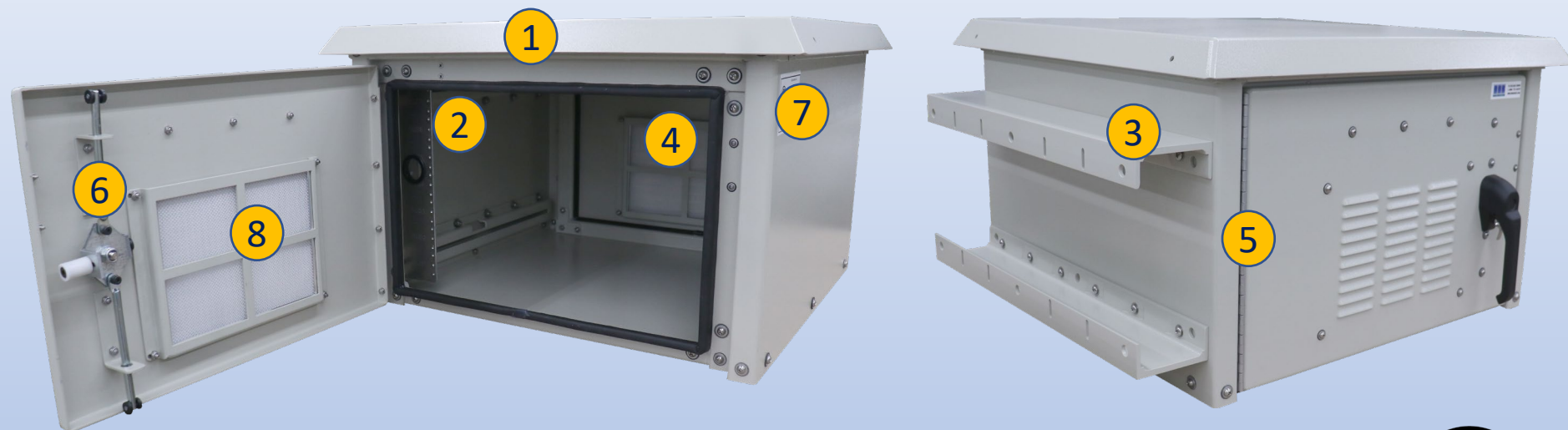
32" x 42" - Palletized

Approximate Shipping Weight:

113 lbs.

# OD Series

## POD-16DXC



### Features

1. Alumishield
2. 19" Adjustable Racking Rails, 7 RU's
3. C-Channel Feet for wall mounting options
4. Rear Access Door
5. Stainless Steel Door Hinge
6. 3 Point Locking System
7. Powder-Coat Cream
8. Reusable Vent Filters



Installation, operating and  
safety instructions can be  
downloaded here



Scan this code for  
replacement parts



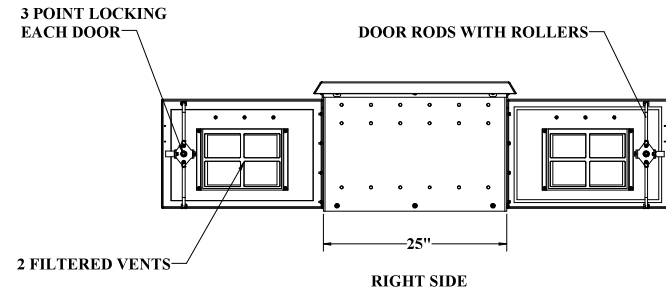
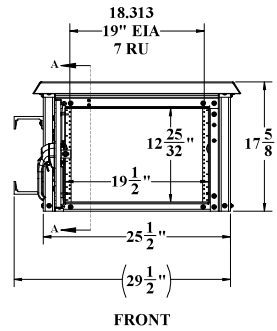
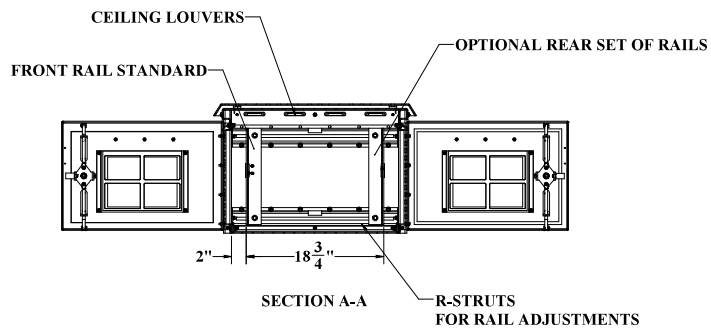
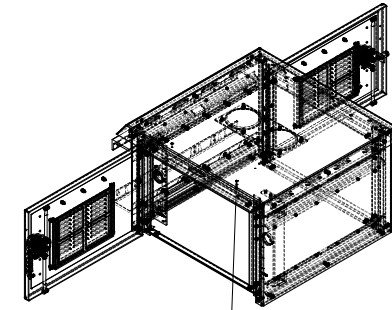
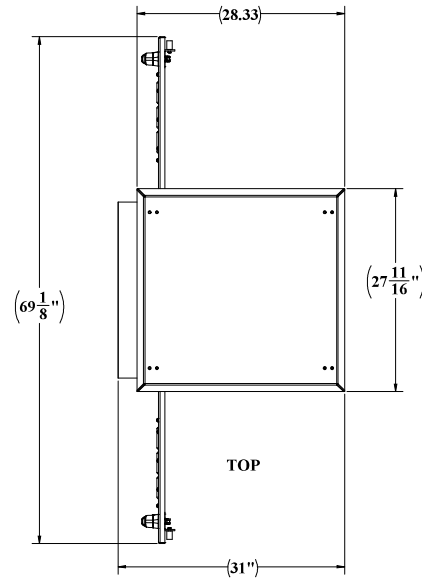
2301 S. HWY 77 Pauls Valley, OK 73075

T: (800) 753-8459 – F: (877) 220-7236

[sales@ddbunlimited.com](mailto:sales@ddbunlimited.com) [www.ddbunlimited.com](http://www.ddbunlimited.com)

WEB DRAWING (NOT FOR FABRICATION)

REVISIONS		
REV.	DESCRIPTION	DATE
A	CREATED WEBSITE DRAWING PER DR-02046	6/14/2019
B	UPDATED PER DR-02603	5/25/2021



WEB DRAWING (NOT FOR FABRICATION)

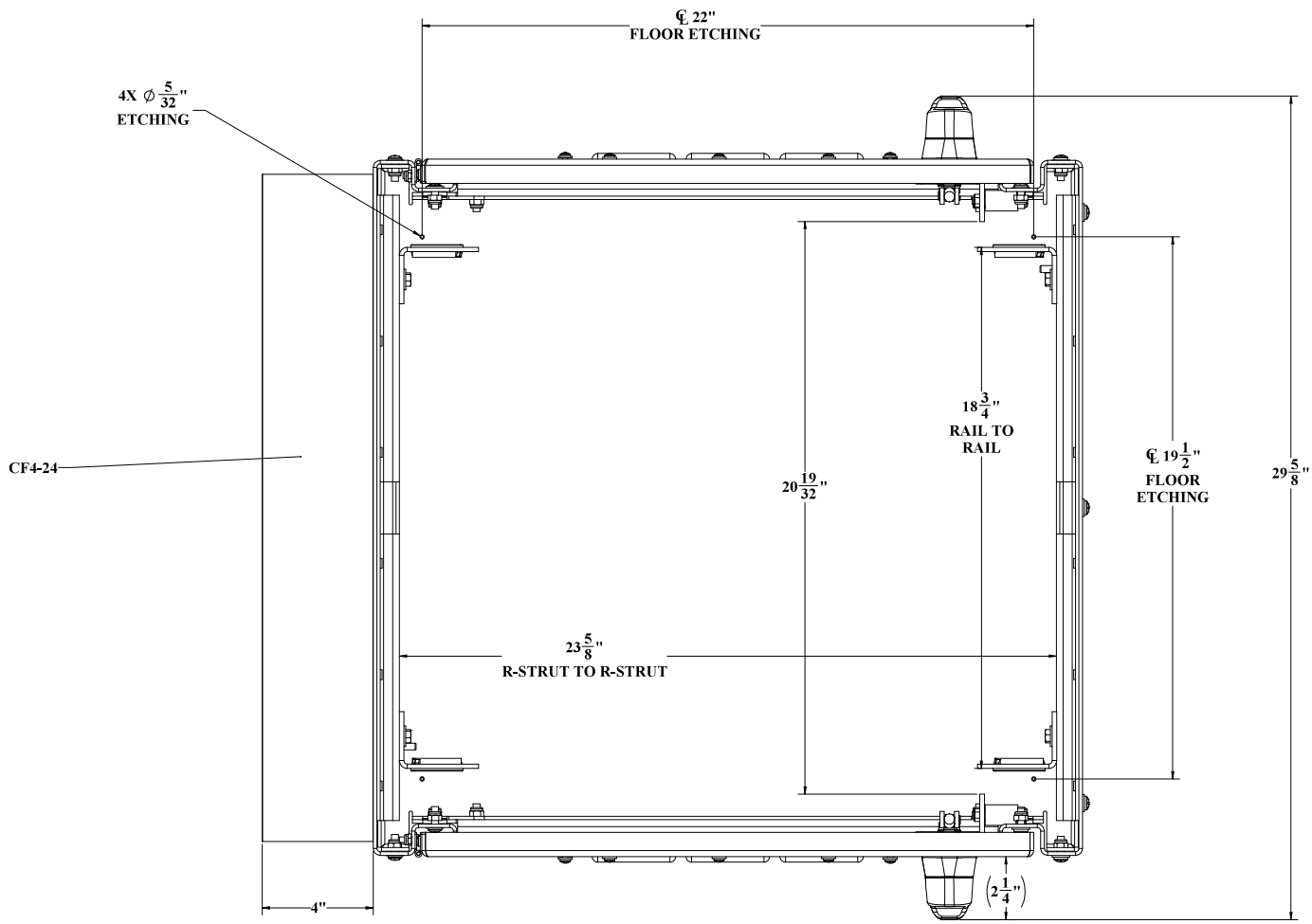
UNLESS OTHERWISE SPECIFIED:		NAME	DATE	<b>DDB Unlimited Inc.</b>			
DIMENSIONS ARE IN INCHES	Model No.:	0208		OD Family Endboxes			
ARTICULAR	Drawn By:	Marcus	06/14/19	OD-1005-174-21 Mounting Feet, WEB			
NON-ARTICULAR	Check/Rev.:	01/16/19					
FIELD CHANGES	Third Party Control:	01/16/19					
ALL DIMENSIONS ARE TO CENTER UNLESS OTHERWISE SPECIFIED	Sales Rep.:	Boyan C		SHE	Cage Code:	DWG. NO.:	REV
	Q.A. Appr.:	trv	05/26/21	D	88515	02046	B
	Prod. Mgr.:	Clare	05/26/21	SCALE: 1:8		WEEK: 79	Ext.
MATERIALS: *SPRINKLER RISE SETS-230947							
FANSZ: *HAWK VENT WITH QUANTITIES SHOWN							
DO NOT SCALE DRAWING							

UNCLASSIFIED PUBLIC

File Location: (DDB)\PDM\Visual  
C:\DDB\Drawing Requests\Customer\DDB WEB DWG\POD-14DX\

DDB FORM 7-1-2 REV.F 05/02/19

WEB DRAWING (NOT FOR FABRICATION)



TOP VIEW CEILING AND ALUMASHIELD NOT SHOWN

WEB DRAWING (NOT FOR FABRICATION)

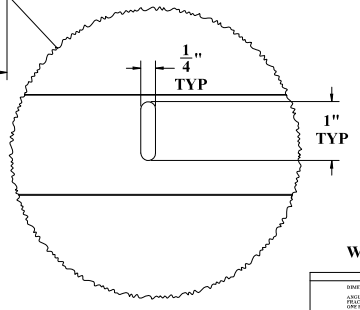
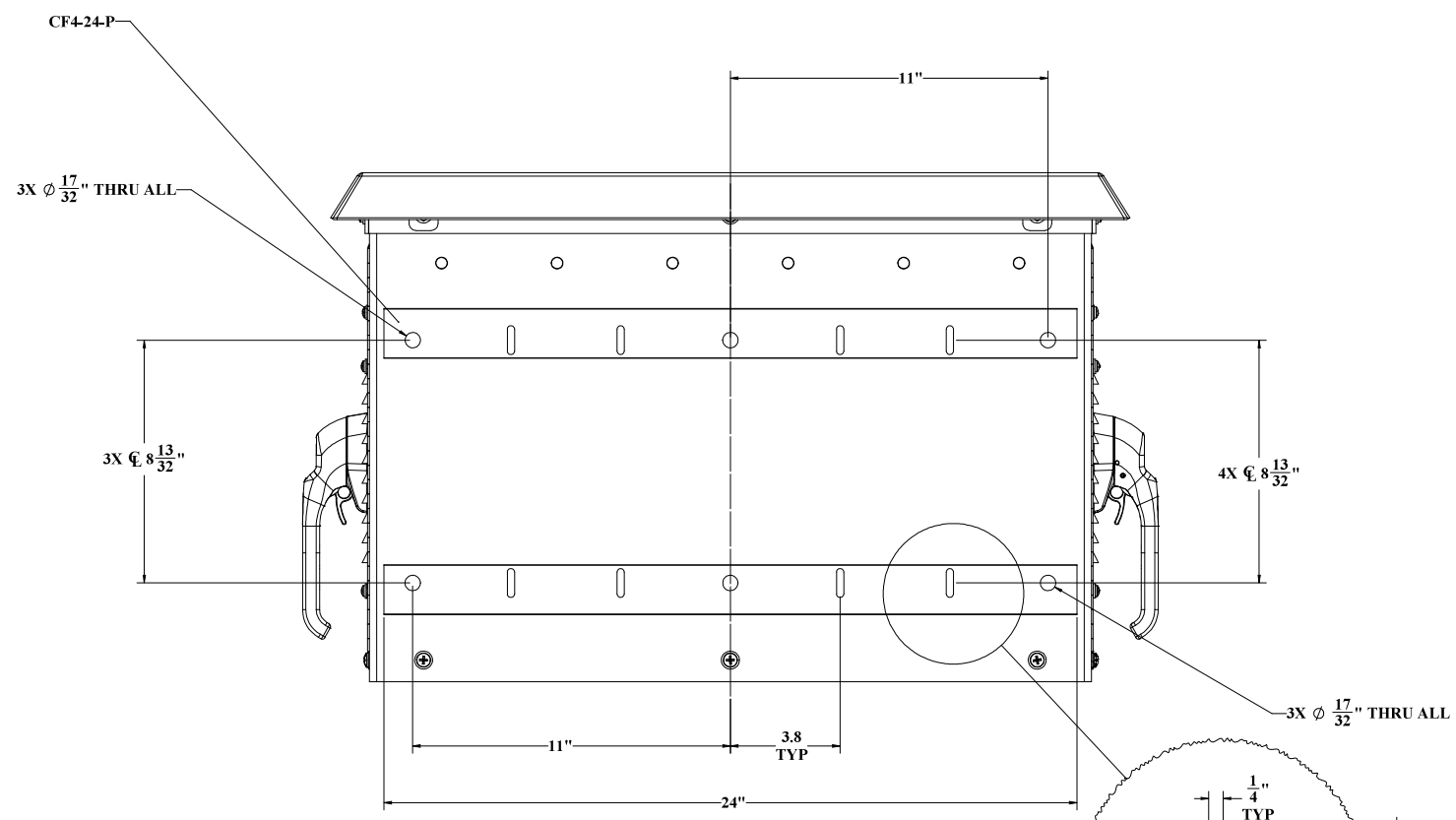
UNLESS OTHERWISE SPECIFIED:		DDB Unlimited Inc.			
DIMENSION ALL FINISHES		POD-160XC-Door Closed			
ASSEMBLY TO ORIGINAL	1"	01-160X-CF4-24 Mounting Feet			
DRILLING TO ORIGINAL	1/16"	POD-161XC-Door Closed			
DRILLING TO ORIGINAL	1/16"	REV	Change Code:	DWG. NO.:	REV
DRILL TO ORIGINAL	1/16"	D	88515	02046	9
ALL OTHER FINISHES		SCALE 1:8			
MATERIAL SPECIFIED BY ARCHITECT		WEIGHT:			
PAINT		DDB UNLIMITED, INC. 08/02/17			
DO NOT SCALE DRAWING		SHEET 2 OF 3			

UNCLASSIFIED PUBLIC  
 THE INFORMATION CONTAINED IN THIS DRAWING IS THE SOLE PROPERTY OF DDB Unlimited, INC. ANY REPRODUCTION IN PART OR AS A WHOLE WITHOUT THE WRITTEN PERMISSION OF DDB Unlimited, INC. IS PROHIBITED.

File Location: [DDB] [PDM Vault]  
 C:\DDB\Drawing Request\Customer\DDB WEB DWG\POD-160XC\

DDB FORM 7.1-2 REV. A (08/02/17)

WEB DRAWING (NOT FOR FABRICATION)



WEB DRAWING (NOT FOR FABRICATION)

UNLESS OTHERWISE SPECIFIED:		<b>DDB Unlimited Inc.</b>	
DIMENSIONS ARE IN INCHES		POD-160XC-CROOK CRIBBED	
TOLERANCES UNLESS OTHERWISE SPECIFIED:		010-101NY-CF4-24 Mounting Feet	
SIZE	CF4-24	DWG. NO.:	REV
D	88515	02046	9
MATERIAL SPECIFICATION: LITERATURE		SCALE 1:8	
PAINT: UNPAINTED AND UNPAINTED		WEIGHT:	
DO NOT SCALE DRAWING		SHEET 2 OF 3	

UNCLASSIFIED PUBLIC  
THE INFORMATION CONTAINED IN THIS DRAWING IS THE SOLE PROPERTY OF DDB Unlimited, INC. ANY REPRODUCTION IN PART OR AS A WHOLE WITHOUT THE WRITTEN PERMISSION OF DDB Unlimited, INC. IS PROHIBITED.

DDB FORM 7-1-2 REV A 08/02/17