

OD-UL Series

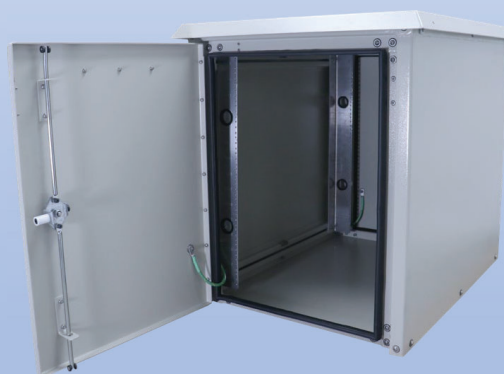
OD-30DDDC-UL50

Why Choose the OD-UL Series?

The OD-UL series of enclosures are the ultimate choice for your outdoor racking requirements. Being made of our own rugged Alumiflex®, you'll find it noticeably lighter than steel, yet strong enough to rack even the heaviest equipment. When choosing the OD-UL series, you have handpicked the highest value in American construction. The OD-UL series includes the standard features you have come to expect with DDB, incorporating the versatile strut system for adjustable racking, the security of a 3- point locking system, our patented Alumishield® solar cap to manage heat loads, UL listed grounding straps, & UL listed gasketing. For those who need more than just our standard enclosure, DDB can also make a truly customized solution with our many available options including HVAC, providing a climate-controlled environment for any electronic equipment, electrical load panels and cable entry solutions to name a few. All of this comes together to create an enclosure able to meet all of the unique needs your customers have been seeking. DDB offers a state-of-the-art design, a competitive price, benchmark lead times and a guaranteed delivery, all backed up with an industry leading 15-year warranty on every enclosure. Put DDB's substantial stock to work for you today. Contact our professional staff to assist you with your made-to-order solution.

Application Types

- Telecommunications
- Wireless/Broadband
- Fiber Optics
- Back Haul
- Small Cell/DAS
- Public Safety
- Utility
- Base Station
- Military
- Trailer-Based Communications
- Wi-Fi
- LTEE/4G/5G



Environmental & Safety Ratings:

- ✓ ETL environmentally listed to UL 50/50E, IP 66, Type 4
- ✓ ETL listed; Safety Requirements, UL 62368-1:2019 Ed.3, CSA C22.2



Features

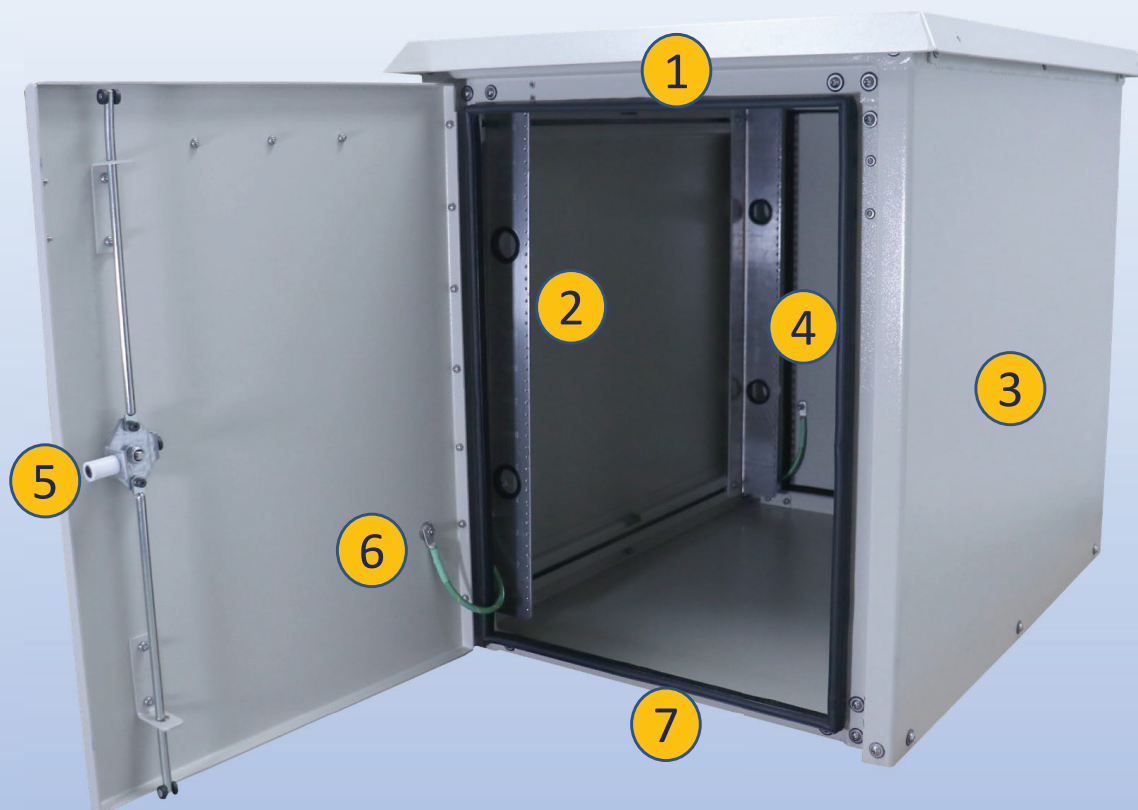
- 0.125" Aluminum Construction
- Stainless Steel External Hardware/Hinge
- Fully Welded Construction
- 3 Point Lock System
- Front and Rear Access
- Custom Colors Available
- Cream Powder-Coat in Stock
- Flexible and Scalable
- 15 Year Warranty
- Quick Shipping
- Water/Rain/Sleet/Dust Tight

Weight and Dimensions

- Approximate Exterior Enclosure Dimensions:
- 32"H x 28"W x 39"D
- Shipping Dimensions:
- 32"W x 42"L - Palletized
- Approximate Shipping Weight:
- 137 lbs.

OD-UL Series

OD-30DDC-UL50



Features

1. Alumishield
2. 2 Sets of 19" Adjustable Racking Rails, 30 RU's
3. Cream powder coat
4. Rear Access Door
5. 3 Point Locking System
6. Ground Strap - UL Listed
7. Frame Gasket - UL Listed



Installation, operating and safety instructions can be downloaded here



Scan this code for replacement parts

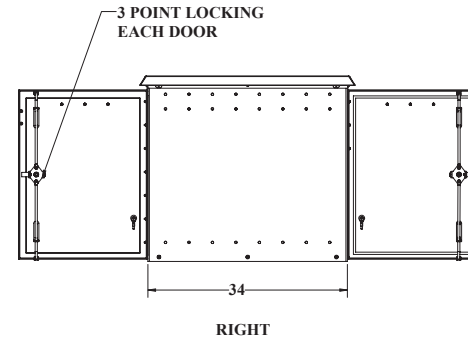
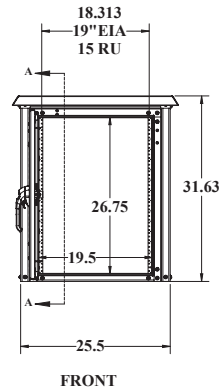
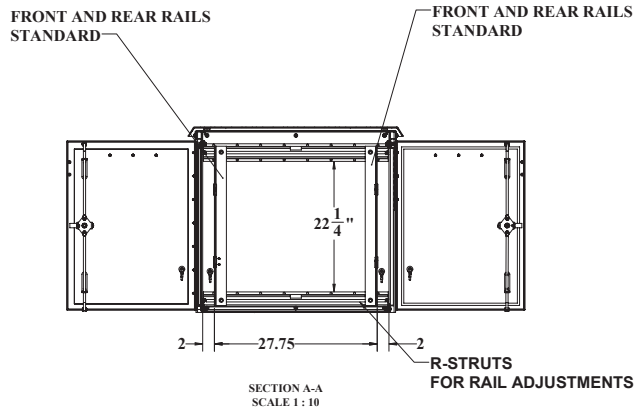
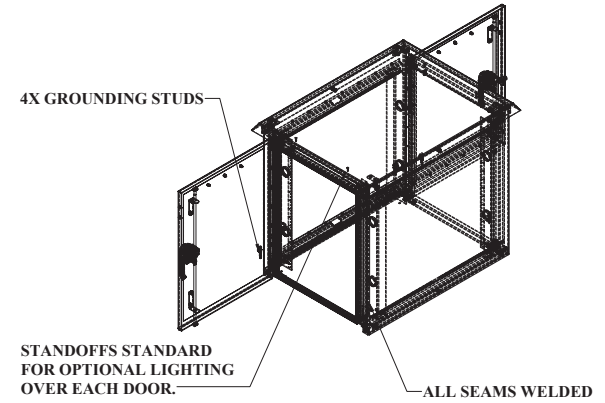
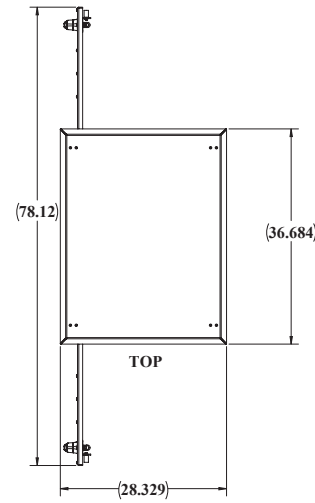


2301 S. HWY 77 Pauls Valley, OK 73075
T: (800) 753-8459 – F: (877) 220-7236

sales@ddbunlimited.com www.ddbunlimited.com

WEB DRAWING (NOT FOR FABRICATION)

REVISIONS		
REV.	DESCRIPTION	DATE
A	CREATED WEBSITE DRAWING FOR OD-30DD-UL50 PER DR-01844	9/17/2018
B	UPDATED SHEET FORMAT	3/28/2022

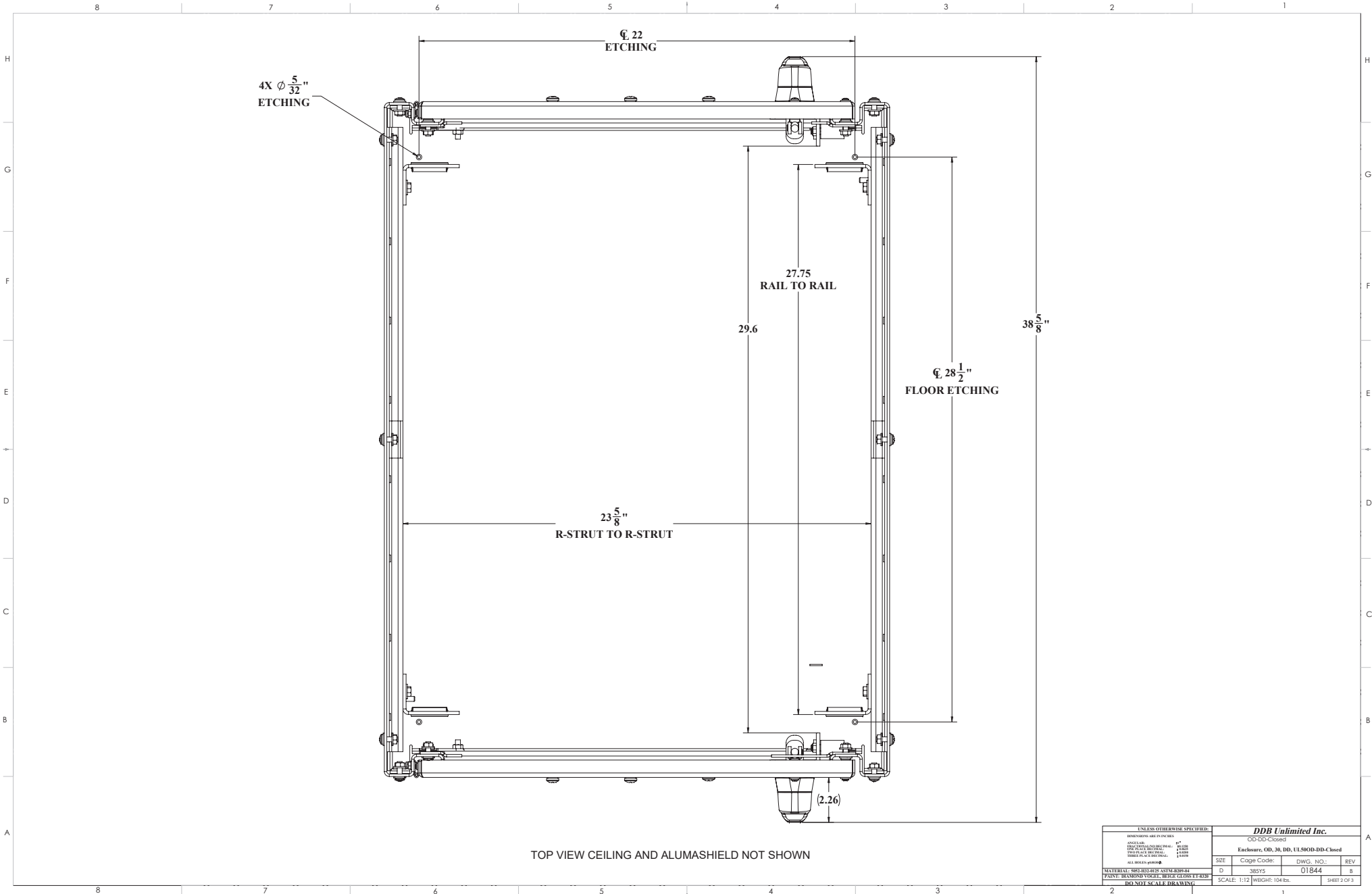


WEB DRAWING (NOT FOR FABRICATION)

UNLESS OTHERWISE SPECIFIED:		NAME	DATE	DDB Unlimited Inc.			
ANGULAR	30°	Model By:	08/17/2018	OD-XXXX-UL50			
FINISH	STAINLESS	Drawn By:	08/17/18	Enclosure, OD, 30, DD, UL50			
WELDING	WELDED	Sales Representative:	Completed	SIZE	Cage Code:	DWG. NO.:	REV
MATERIAL:	304 STAINLESS STEEL	Q.A. Appr.:	08/29/22	D	385YS	01844	B
FABRY:	304 STAINLESS STEEL	Prod.Mgr.:	08/29/22	SCALE:	1:12	WGHT:	104 lbs.
DO NOT SCALE DRAWING				SHEET 1 OF 3			

UNCLASSIFIED PUBLIC

DDB FORM: 7-1-2 REV: F 05/02/19



TOP VIEW CEILING AND ALUMASHIELD NOT SHOWN

UNLESS OTHERWISE SPECIFIED:		DDB Unlimited Inc.	
DIMENSIONS ARE IN INCHES		GD-DD-Closed	
FINISH	1" 1/8	Eastport, OH, 38, DD, UL580B-DD-Closed	
DRILLING TOLERANCE	±.005	SIZE	Cage Code: DWG. NO.: REV
DRILL DIA. TOLERANCE	±.005	D	385YS 01844 S
DRILL DIA. TOLERANCE	±.005	SCALE: 1:12 WEIGHT: 104 lbs. SHEET 2 OF 3	
ALL DIMENSIONS PER DWG		MATERIAL SPECIFIED BY CUSTOMER	
PAINT: PRIMER/PAINT/PRIMER/PAINT		FINISH: BONDING/PRIMER/PAINT/PRIMER/PAINT	
DDB NOT SCALE DRAWING			

UNCLASSIFIED PUBLIC

DDB FORM: 7.1.2-REV A 08/02/17

