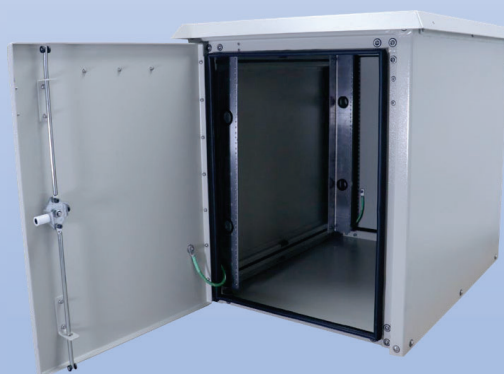


Why Choose the OD-UL Series?

The OD-UL series of enclosures are the ultimate choice for your outdoor racking requirements. Being made of our own rugged Alumiflex®, you'll find it noticeably lighter than steel, yet strong enough to rack even the heaviest equipment. When choosing the OD-UL series, you have handpicked the highest value in American construction. The OD-UL series includes the standard features you have come to expect with DDB, incorporating the versatile strut system for adjustable racking, the security of a 3- point locking system, our patented Alumishield® solar cap to manage heat loads, UL listed grounding straps, & UL listed gasketing. For those who need more than just our standard enclosure, DDB can also make a truly customized solution with our many available options including HVAC, providing a climate-controlled environment for any electronic equipment, electrical load panels and cable entry solutions to name a few. All of this comes together to create an enclosure able to meet all of the unique needs your customers have been seeking. DDB offers a state-of-the-art design, a competitive price, benchmark lead times and a guaranteed delivery, all backed up with an industry leading 15-year warranty on every enclosure. Put DDB's substantial stock to work for you today. Contact our professional staff to assist you with your made-to-order solution.

Application Types

- Telecommunications
- Wireless/Broadband
- Fiber Optics
- Back Haul
- Small Cell/DAS
- Public Safety
- Utility
- Base Station
- Military
- Trailer-Based Communications
- Wi-Fi
- LTEE/4G/5G



Environmental & Safety Ratings:

- ✓ ETL environmentally listed to UL 50/50E, IP 66, Type 4
- ✓ ETL listed; Safety Requirements, UL 62368-1:2019 Ed.3, CSA C22.2



Features

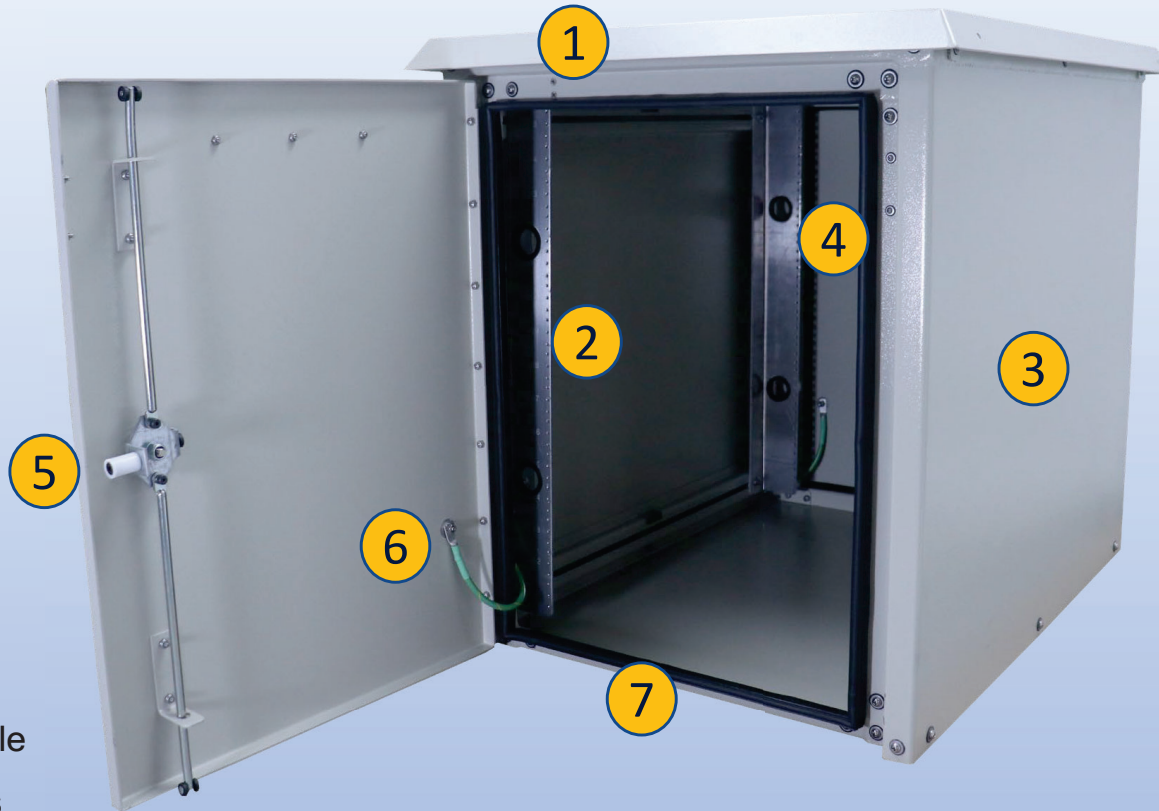
- 0.125" Aluminum Construction
- Stainless Steel External Hardware/Hinge
- Fully Welded Construction
- 3 Point Lock System
- Front and Rear Access
- Custom Colors Available
- Cream Powder-Coat in Stock
- Flexible and Scalable
- 15 Year Warranty
- Quick Shipping
- Water/Rain/Sleet/Dust Tight

Weight and Dimensions

- Approximate Exterior Enclosure Dimensions:
- 32"H x 28"W x 47"D
- Shipping Dimensions:
- 35"W x 52"L - Palletized
- Approximate Shipping Weight:
- 163 lbs.

OD-UL Series

OD-30DDXC-UL50



Features

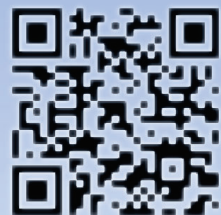
1. Alumishield
2. 2 Sets of 19" Adjustable Racking Rails, 30RU's
3. Cream powder coat
4. Rear Access Door
5. 3 Point Locking System
6. Ground (bonding) Strap - UL Listed
7. Frame Gasket, vulcanized corners - UL Listed



Installation, operating and safety instructions can be downloaded here



Scan this code for replacement parts

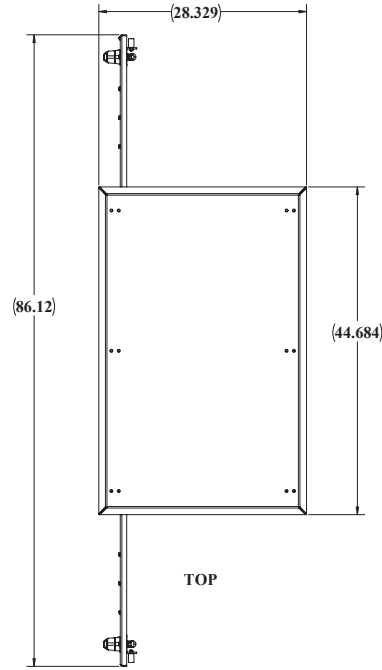


2301 S. HWY 77 Pauls Valley, OK 73075
T: (800) 753-8459 – F: (877) 220-7236

sales@ddbunlimited.com www.ddbunlimited.com

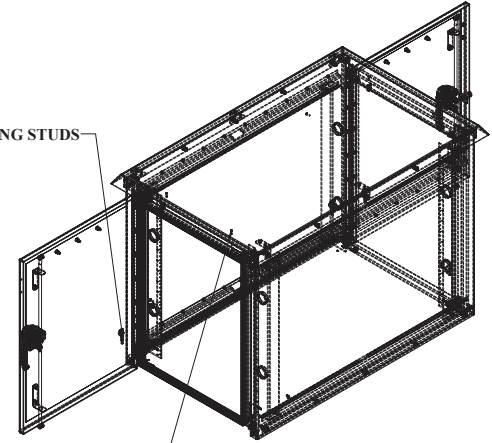
WEB DRAWING (NOT FOR FABRICATION)

REVISIONS		
REV.	DESCRIPTION	DATE
A	CREATED WEBSITE DRAWING FOR OD-30DDX-UL50 PER DR-01845	9/17/2018
B	WEB DRAWING HAS BEEN UPDATED TO REMOVE LOGO	3/21/2022

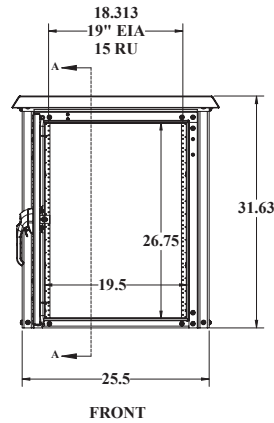
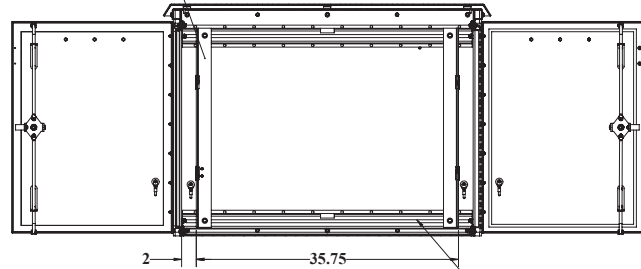


4X GROUNDING STUDS

STANDOFFS STANDARD FOR OPTIONAL LIGHTING OVER EACH DOOR

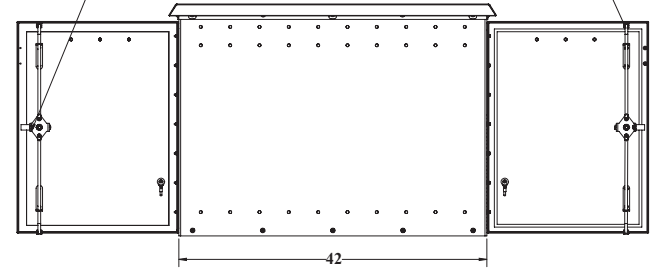


FRONT AND REAR RAILS STANDARD ON DDX



DOOR RODS WITH ROLLERS

3 POINT LOCKING EACH DOOR

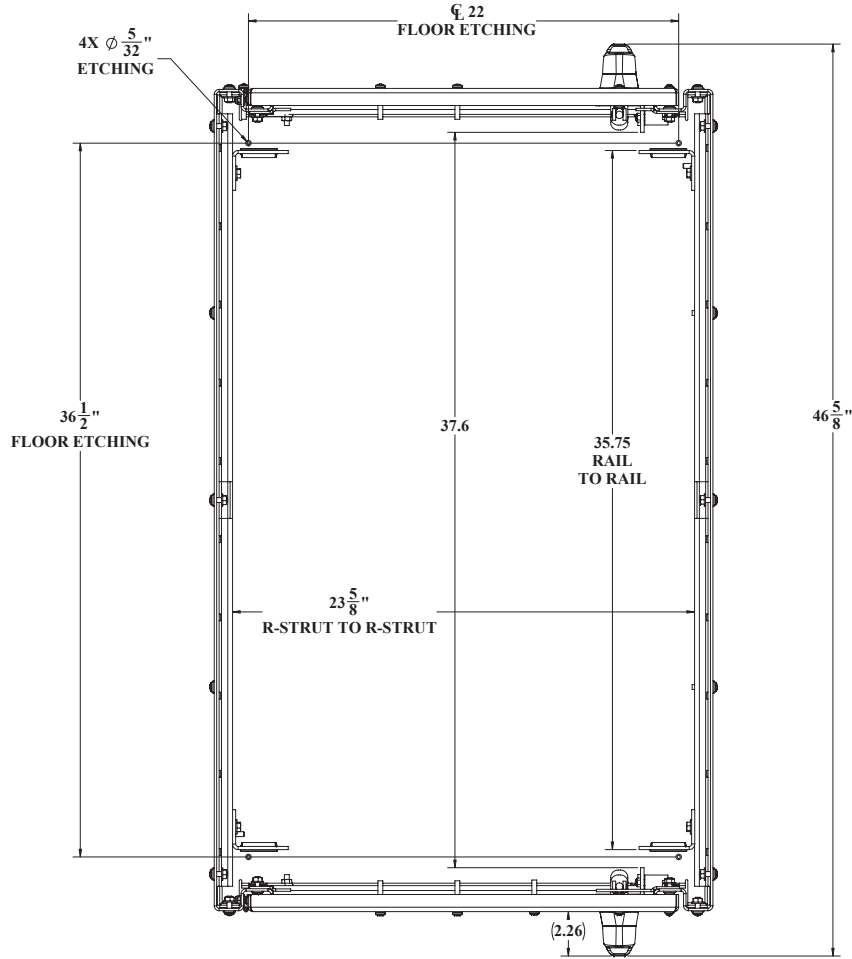


WEB DRAWING (NOT FOR FABRICATION)

UNLESS OTHERWISE SPECIFIED:		NAME	DATE	DDB Unlimited Inc.			
Model No.	0108	09/17/2018	OD-XXXX-UL50				
Drawn By	Marcus	09/18/18	Enclosure, OD, 36, DDX, UL50				
Sales Rep.	Boyan C		SIZE	Cage Code:	DWG. NO.:	REV	
Q.A. Appr.	Boyan	03/22/22	D	385YS	01845	8	
Prod.Mgr.	Cherk	03/22/22	SCALE: 1:12	WGHT: 120 lbs.	SHEET 1 OF 3		
MATERIAL: 304 STAINLESS STEEL EXCEPT FABR: 304 STAINLESS STEEL EXCEPT DO NOT SCALE DRAWING							

UNCLASSIFIED PUBLIC

WEB DRAWING (NOT FOR FABRICATION)



TOP VIEW CEILING AND ALUMASHIELD NOT SHOWN

WEB DRAWING (NOT FOR FABRICATION)

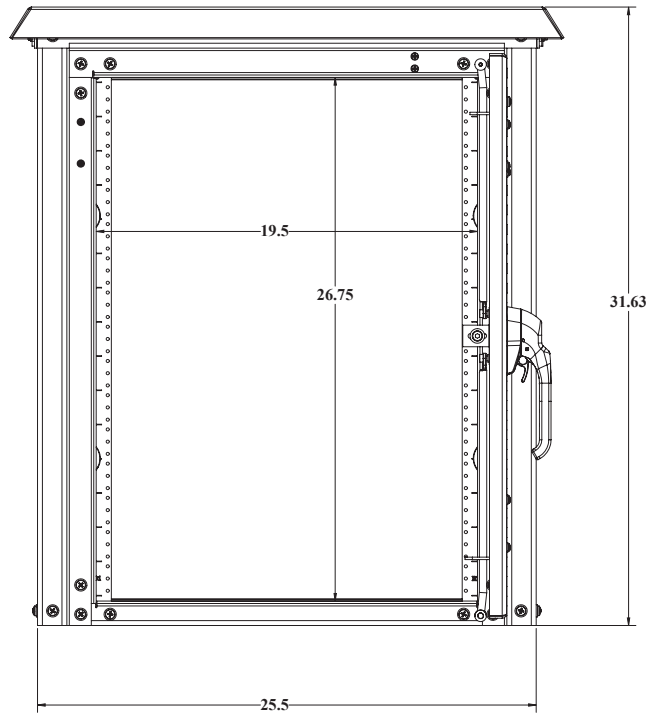
UNLESS OTHERWISE SPECIFIED:		DDB Unlimited Inc.			
DIMENSIONS ARE IN INCHES		OD-SDX-Closed			
FINISH	1" 1/2"	Eastonville, OH, SR, DDJ, UL50			
DRY WEIGHT	1.125	SIZE	Code Code:	DWG. NO.:	REV
DRY WEIGHT PER FOOT	1.125	D	385YS	01845	8
DRY WEIGHT PER INCH	1.125	SCALE	1:12	WEIGHT	120 lbs.
DRY WEIGHT PER SQUARE FOOT	1.125				SHEET 2 OF 3
MATERIAL SPECIFICATION SYSTEM NUMBER					
PAINT					
DO NOT SCALE DRAWING					

UNCLASSIFIED PUBLIC
THE INFORMATION CONTAINED IN THIS DRAWING IS THE SOLE PROPERTY OF DDB Unlimited, INC. ANY REPRODUCTION IN PART OR AS A WHOLE WITHOUT THE WRITTEN PERMISSION OF DDB Unlimited, INC. IS PROHIBITED.

File Location: (DDB)\EFDW Vault1
C:\DDB\Drawing Requests\Customers\DDB WEB DWG\OD Family-UL50 WEB\OD-30DDX-UL50

DDB FORM: 7.1.2-REVAK 08/02/17

WEB DRAWING (NOT FOR FABRICATION)



BACK VIEW GASKET NOT SHOWN

WEB DRAWING (NOT FOR FABRICATION)

UNLESS OTHERWISE SPECIFIED:		DDB Unlimited Inc.		
DIMENSIONS ARE IN INCHES		OD-300DX-UL50		
MATERIAL: UNLESS OTHERWISE SPECIFIED:		Fairview, OH, SR, DD, UL, 50		
STAINLESS STEEL	1/2" MIN	SIZE	Code Code:	DWG. NO.:
ALUMINUM	1/4" MIN	D	385YS	01845
STEEL	1/4" MIN	SCALE	1:12	WEIGHT: 120 lbs.
PAINT:	AS PER SPECIFICATION	DDB Unlimited Inc.		SHEET 2 OF 3
DO NOT SCALE DRAWING				

UNCLASSIFIED PUBLIC
 THE INFORMATION CONTAINED IN THIS DRAWING IS THE SOLE PROPERTY OF DDB Unlimited, INC. ANY REPRODUCTION IN PART OR AS A WHOLE WITHOUT THE WRITTEN PERMISSION OF DDB Unlimited, INC. IS PROHIBITED.

File Location: (DDB)EPM Vauft
 C:\DDB\Drawing Request\Custom\UDB WEB DWG\OD Family\UL50 WEB\OD-300DX-UL50.dwg

DDB FORM: 7.1.2-REVAK 08/02/17