

# UL-OD Series

## OD-62DXC-UL50

### Why Choose The UL-OD Series?

The UL-OD series of enclosures are the ultimate choice for your outdoor racking requirements. Being made of our own rugged Alumiflex®, you'll find it noticeably lighter than steel, yet strong enough to rack even the heaviest equipment. When choosing the UL-OD series, you have handpicked the highest value in American construction. The UL-OD series includes the standard features you have come to expect with DDB, incorporating the versatile strut system for adjustable racking, the security of a 3- point locking system and our patented Alumishield® solar cap to manage heat loads. For those who need more than just our standard enclosure, DDB can also make a truly customized solution with our many available options including HVAC, providing a climate-controlled environment for any electronic equipment, electrical load panels and cable entry solutions to name a few. All of this comes together to create an enclosure able to meet all of the unique needs your customers have been seeking. DDB offers a state-of-the-art design, a competitive price, benchmark lead times and a guaranteed delivery, all backed up with an industry leading 15-year warranty on every enclosure. Put DDB's substantial stock to work for you today. Contact our professional staff to assist you with your made-to-order solution.

### Application Types

- Telecommunications
- Wireless/Broadband
- Fiber Optics
- Back Haul
- Small Cell/DAS
- Public Safety
- Utility
- Base Station
- Military
- Trailer-Based Communications
- Wi-Fi
- LTEE/4G/5G



### Environmental & Safety Ratings:

- ✓ ETL environmentally listed to UL 50/50E, IP 66, Type 4
- ✓ ETL listed; Safety Requirements, UL 62368-1:2019 Ed.3, CSA C22.2



### Features

- 0.125" Aluminum Construction
- Stainless Steel External Hardware/Hinge
- Fully Welded Construction
- 3 Point Lock System
- Front and Rear Access
- Custom Colors Available
- Cream and Red Powder-Coat in Stock
- Flexible and Scalable
- 15 Year Warranty
- Quick Shipping

### Weight and Dimensions

- Approximate Exterior Enclosure Dimensions:
- 63"H x 28"W x 30"D
- Shipping Dimensions:
- 35"W x 42"L - Palletized
- Approximate Shipping Weight:
- 176 lbs.

# UL-OD Series

## OD-62DXC-UL50



### Features

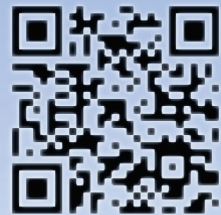
1. Alumishield
2. 19" Adjustable Racking Rails
3. 33 Racking Units
4. Rear Access Door
5. 3 Point Locking System
6. Bonding Strap - UL Listed
7. Frame Gasket - UL Listed



Installation, operating and  
safety instructions can be  
downloaded here

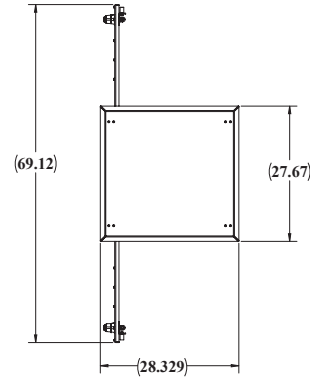


Scan this code for  
replacement parts



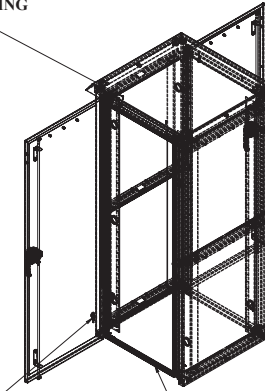
WEB DRAWING (NOT FOR FABRICATION)

REVISIONS		
REV.	DESCRIPTION	DATE
A	CREATED WEBSITE DRAWING FOR OD-62DX-UL50 PER DR-01852	9/27/2018
B	UPDATED SHEET FORMAT	4/14/2022



TOP

STANDOFFS STANDARD FOR OPTIONAL LIGHTING OVER EACH DOOR

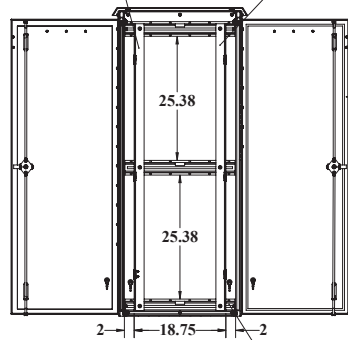


4X GROUNDING STUDS

ALL SEAMS WELDED

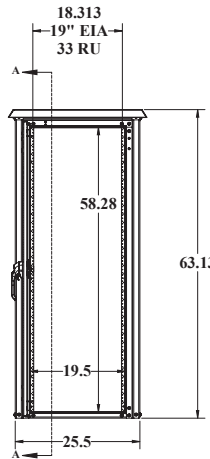
FRONT RAIL STANDARD

REAR RAIL OPTIONAL



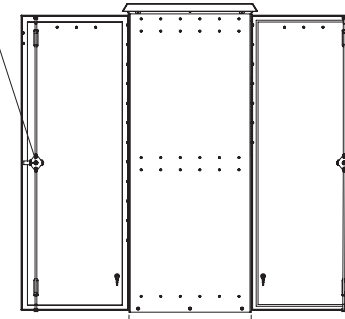
SECTION A-A

R-STRUTS FOR RAIL ADJUSTMENTS



FRONT

3 POINT LOCKING EACH DOOR

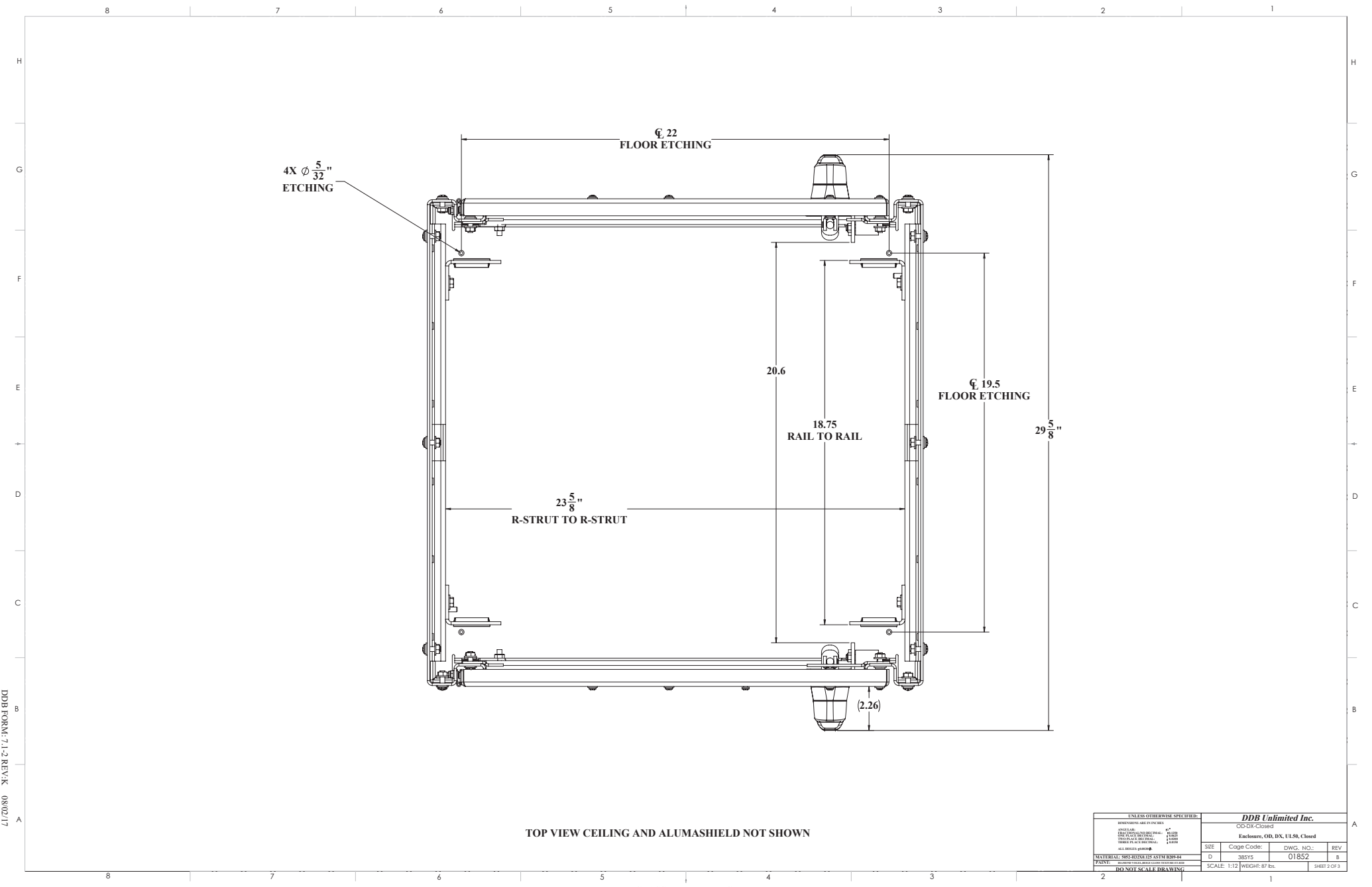


RIGHT SIDE

WEB DRAWING (NOT FOR FABRICATION)

UNLESS OTHERWISE SPECIFIED:		NAME	DATE	<b>DDB Unlimited Inc.</b>			
ANGULAR	ANSI 90° UNLESS NOTED	Model No.	0206	OD-XXXX-UL50			
FINISH	AS SUPPLIED	Drawn By	Marvick	Enclosure, OD, 62, DX-UL50			
TOLERANCES	UNLESS NOTED	Sales Rep.	Boyan C	SIZE	Code Code:	DWG. NO.:	REV
ALL DIMENSIONS	UNLESS NOTED	Q.A. Appr.	Shayne	D	S855	01852	B
MATERIAL:	304 STAINLESS STEEL EXCEPT	Prod.Mgr.	Clark	SCALE:	1:12	WGHT:	1.43 lbs.
PAINT:	EPDM POLYURETHANE ENAMEL	Checked		SHEET 1 OF 3			
DO NOT SCALE DRAWING							

UNCLASSIFIED PUBLIC



4X  $\frac{5}{32}$ "  
ETCHING

$\phi$  22  
FLOOR ETCHING

$\phi$  19.5  
FLOOR ETCHING

20.6

18.75  
RAIL TO RAIL

$29 \frac{5}{8}$ "

$23 \frac{5}{8}$ "  
R-STRUT TO R-STRUT

(2.26)

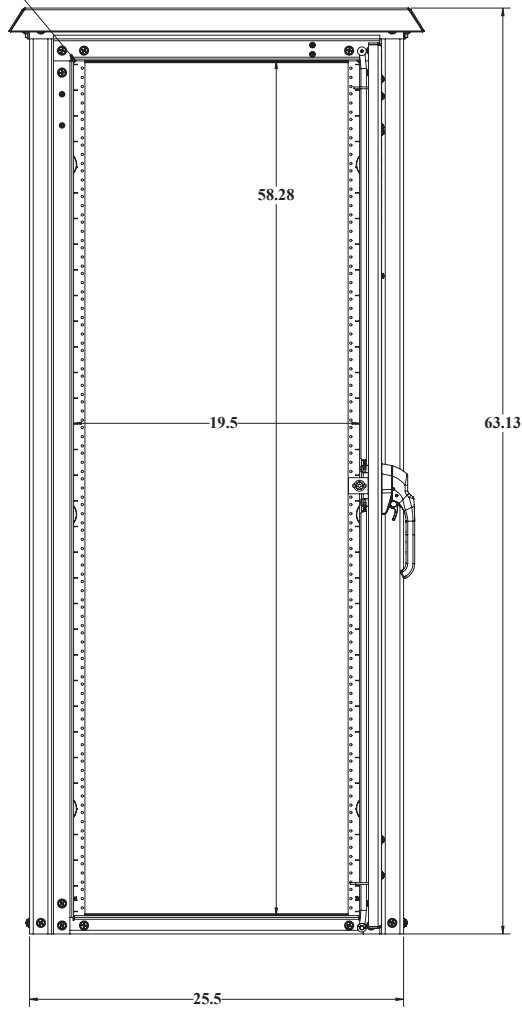
TOP VIEW CEILING AND ALUMASHIELD NOT SHOWN

UNLESS OTHERWISE SPECIFIED:		<b>DDB Unlimited Inc.</b>	
DIMENSIONS ARE IN INCHES		CD-DX Closed	
FINISH	1" 1/2	SIZE	Envelope, 00, DX, 11.50, Closed
DRY WEIGHT PER FOOT	1.100	DWG. NO.	01852
DRY WEIGHT PER SQUARE FOOT	1.100	REV	S
DRY WEIGHT PER SQUARE FOOT	1.100	SCALE	1:12 WEIGHT: 87 lbs. SHEET 2 OF 3
MATERIAL SPECIFICATION SYSTEM NUMBER		SCALE: 1:12 WEIGHT: 87 lbs. SHEET 2 OF 3	
PAINT		D B01 NOT SCALE DRAWING	

UNCLASSIFIED PUBLIC

DDB FORM: 7.1.2-REV.A 08/02/17

DOOR GASKET SHOWN



REAR VIEW

UNCLASSIFIED PUBLIC

UNLESS OTHERWISE SPECIFIED:			
DIMENSIONS ARE IN INCHES	CD-420X-UL50		
MATERIALS UNLESS OTHERWISE SPECIFIED	Endeavour, OH, 62, BX-11.58		
FINISH UNLESS OTHERWISE SPECIFIED	SIZE	Code Code:	DWG. NO.:
PAINT UNLESS OTHERWISE SPECIFIED	D	385YS	01852
SCALE: 1:12 (WEIGHT: 143 lbs.)	SHEET	3 OF 3	

DDB FORM: 7.1.2-REVAK 08/02/17