

Cabinet Base

CB3-DDC



Why Choose the CB series for your enclosure?

Does your enclosure need a lift? Literally? Do you need a larger footprint for your HVAC unit? Is it dragging on the ground when you open the door? When it comes to pad mounting, working with cabling or power underneath your enclosure, or if you simply need your enclosure to sit on top of the snow drifts instead of under it, look no further than DDB's extensive line of enclosure bases. All enclosure bases can be installed onto your enclosure by our professional in-house technicians guaranteeing a perfect fit every time, with an additional benefit of saving you time and money allowing you to focus on what is important. Contact our professional staff to assist you with your made-to-order solution.



Application Types

Telecommunications

Wireless/Broadband

Fiber Optics

Back Haul

Small Cell/DAS

Public Safety

Utility

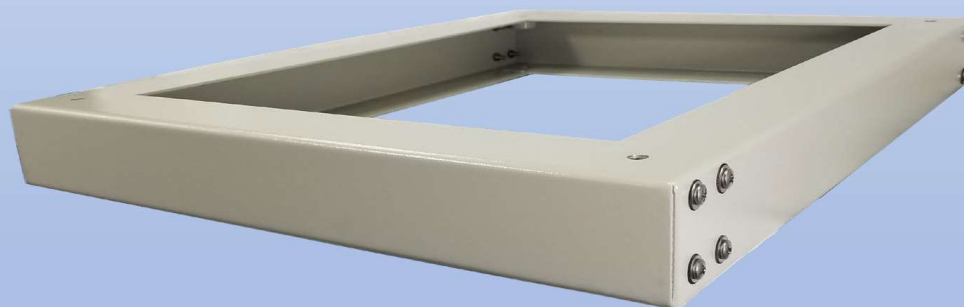
Base Station

Military

Trailer-Based

Communications WiFi

LTEE/4G/5G



Features

.125" Fully welded construction

Welded corner brackets inside

Flexible and Scalable

15 Year Warranty

Quick Shipping

Includes:

½" Mounting Hardware

Weight and Dimensions

Approximate Exterior Dimensions:

25.5"W x 31.75"D x 3" H

Shipping Dimensions:

26 x 33 x 5 Boxed

Approximate Shipping Weight:

16 lbs.

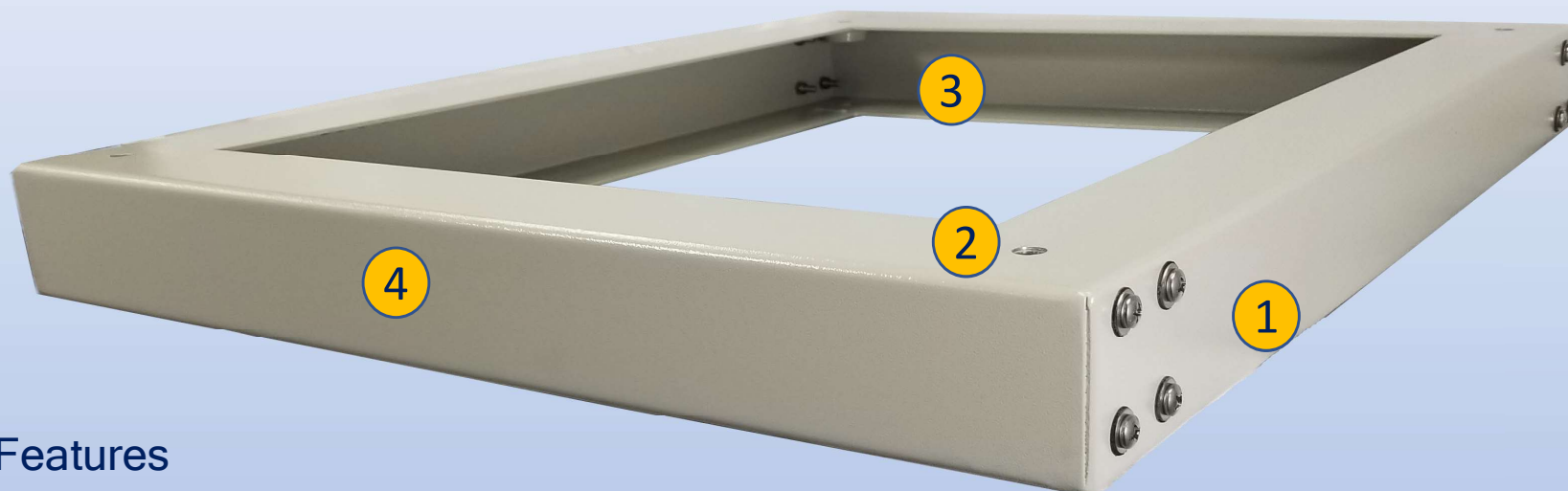
2301 S. HWY 77 Pauls Valley, OK 73075

T: (800) 753-8459 – F: (877) 220-7236

sales@ddbunlimited.com www.ddbunlimited.com

Cabinet Base

CB3-DDC



Features

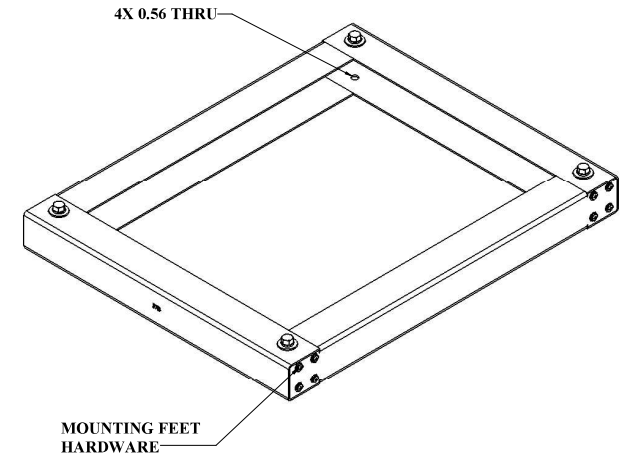
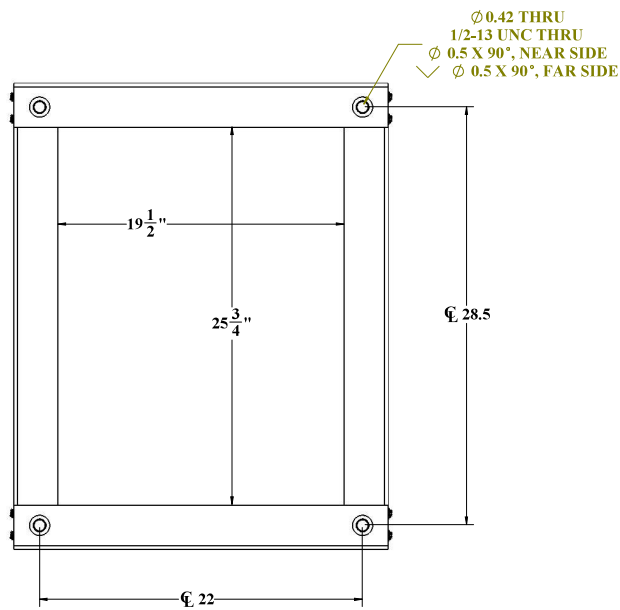
1. Mounting options for 2OD mounting feet
2. Threaded mounting for ½” bolts
3. Four bottom mounting holes for concrete pad installation
4. Powder coat cream, textured; 1000 hours salt fog rated

Scan this code to
visit our online store

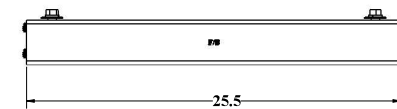
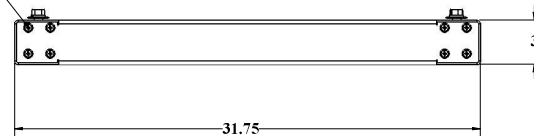


WEB DRAWING (NOT FOR FABRICATION)

REVISIONS		
REV.	DESCRIPTION	DATE
A	WEB DRAWING FOR OD-CB3-DD PER DR-02326	6/22/2020
B	UPDATING WITH NEW FORMAT.	7/28/2022



OPTIONAL 3" MOUNTING FEET 4X



OD-CB3-DD

WEB DRAWING (NOT FOR FABRICATION)

UNLESS OTHERWISE SPECIFIED:		NAME	DATE	DDB Unlimited Inc.			
EXTERIOR SURFACE FINISH:		Model by:	06/21/20	CB			
APPROVAL:		Drawn by:	06/23/20	CB3-DD			
DESIGN CHECK:		Sales Rep.:		SHE	Cage Code:	DWG. NO.:	REV
FIELD CHECK:		Q.A. Appr.:	07/26/22	D	88515	02326	B
FIELD CHECK:		Prod. Mgr.:	07/26/22	SCALE: 1:4	WEIGHT: 11 lbs.	SHEET 1 OF 1	
MATERIAL: 6061-T6 ALUMINUM		FINISH: ANODIZED		DO NOT SCALE DRAWING			

UNCLASSIFIED PUBLIC