

# Wide Cabinet Base

## WCB6-DXW

### Why Choose the WCB series for your WOD enclosure?

Does your single outdoor enclosure need a lift? Literally? Do you need a larger footprint for your HVAC unit? Is it dragging on the pad when you open the door? When it comes to pad mounting, working with cabling or power underneath your enclosure, or if you simply need your enclosure to sit on top of the snow drifts instead of under it, look no further than DDB's extensive line of wide enclosure bases for your WOD enclosure! All enclosure bases can be installed onto your enclosure by our professional in-house technicians guaranteeing a perfect fit every time, with an additional benefit of saving you time and money allowing you to focus on what is important. Contact our professional Sales staff to assist you with your made-to-order solution!

### Application Types

WOD-16DDW  
WOD-30DDW  
WOD-50DDW  
WOD-62DDW  
WOD-78DDW



### Features

- .125" Fully welded construction
- Welded corner brackets inside
- Flexible and Scalable
- 15 Year Warranty
- Quick Shipping
- Includes:
- ½" Mounting Hardware

### Weight and Dimensions

- Approximate Exterior Dimensions:  
29.5"W x 32"D x 6" H
- Shipping Dimensions:  
30" x 35" x 7" Boxed
- Approximate Shipping Weight:  
22 lbs.

2301 S. HWY 77 Pauls Valley, OK 73075  
T: (800) 753-8459 – F: (877) 220-7236

[sales@ddbunlimited.com](mailto:sales@ddbunlimited.com) [www.ddbunlimited.com](http://www.ddbunlimited.com)

# Wide Cabinet Base

## WCB6-DXW



### Features

1. Front access window
2. Threaded mounting for ½” bolts
3. Four bottom mounting holes for concrete pad installation
4. Powder coat Arctic White, textured; 1000 hours salt fog rated
5. Welded corner gussets for added support
6. Optional 2OD mounting feet for pad mounting

2301 S. HWY 77 Pauls Valley, OK 73075

T: (800) 753-8459 – F: (877) 220-7236

[sales@ddbunlimited.com](mailto:sales@ddbunlimited.com) [www.ddbunlimited.com](http://www.ddbunlimited.com)

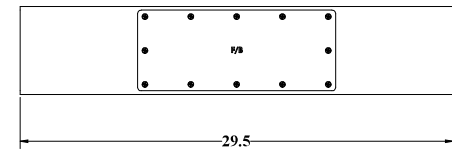
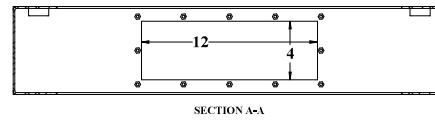
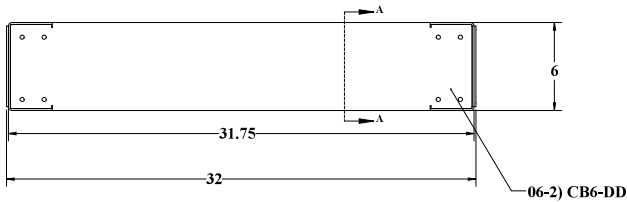
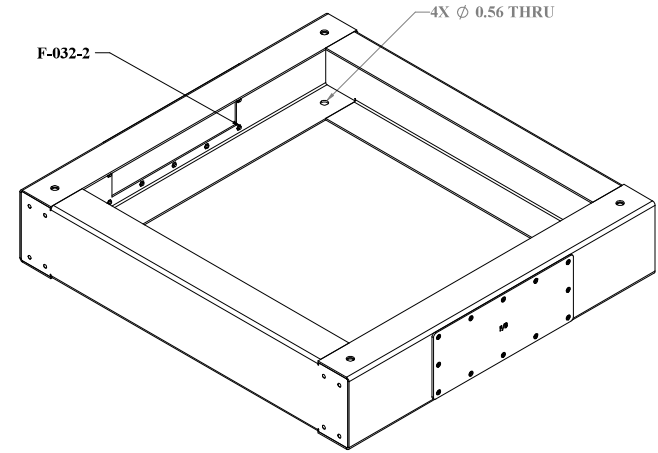
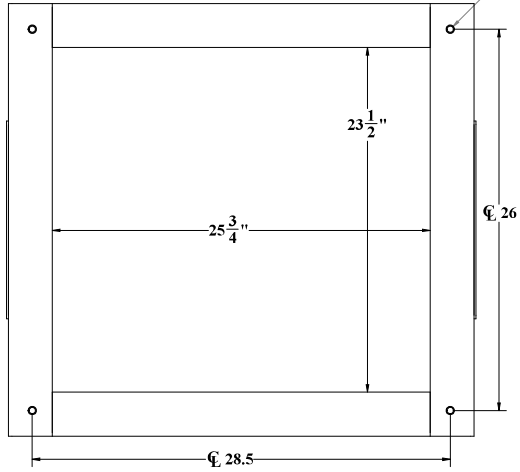
Scan this code to  
visit our online store



WEB DRAWING (NOT FOR FABRICATION)

REVISIONS		
REV.	DESCRIPTION	DATE
A	WCB6-DD WEBSITE DRAWING	6/10/2020

∅ 0.42 THRU  
 1/2-13 UNC THRU  
 ∅ 0.5 X 90°, NEAR SIDE  
 ∅ 0.5 X 90°, FAR SIDE



06-2) CB6-DD

WCB6-DD

WEB DRAWING (NOT FOR FABRICATION)

UNLESS OTHERWISE SPECIFIED:		NAME	DATE	<b>DDB Unlimited Inc.</b>		
CONSTRUCTION LINE OR STYLE	Model No.:	0308		WCB		
ARTICLE NO.	Drawn by:	Manus		CB6-DD-WEB		
REV. NO.	Q.A. Appr.:	by	06/16/20	SHE	Cage Code:	DWG. NO.:
DATE OF REV.	Prof. Mgr.:	Chakr	06/16/20	D	88515	02351
DATE OF REV.	Checked by:			SCALE: 1:4	WEIGHT: 17 lbs.	SHEET 1 OF 1
MATERIAL: 304 STAINLESS STEEL	DO NOT SCALE DRAWING					

UNCLASSIFIED - PUBLIC