

# UL50 SBS Series

## SBS-262210C-UL

### Why Choose SBS the Series?

The UL50 SBS series, outdoor enclosure, is the ultimate choice for your indoor/outdoor requirements. Being made of our own rugged Alumiflex®, you'll find it noticeably lighter than steel, yet strong enough to support even the heaviest equipment. When choosing the UL50 SBS series, you are selecting the highest value in American construction. The UL50 SBS enclosure, is optimal for public safety applications when UL Type 4 requirements are needed. It is ideal for both indoor and outdoor applications. Due to the flexible platform, the UL50 SBS can be utilized as an electrical panel, battery storage, or communication cabinet as well as other numerous applications. The UL50 SBS series includes standard features you have come to expect, including a standard back plate, key locks, and various mounting bracket types. Additional optional accessories that can be added to enhance functionality include HVAC and cable entry solutions. DDB offers, a state-of-the-art design, a competitive price, and a guaranteed delivery with benchmark lead times. Contact our professional staff to assist with your design today.

### Application Types

- Telecommunications
- Wireless/Broadband
  - Fiber Optics
- Small Cell/DAS
- Public Safety
- Utility
- Military
- Trailer-Based Communications
  - Wi-Fi
- Video/Monitoring
- Oil/Gas
- Control Panels



**Industry Standards:**  
UL 508A, Industrial Control Panels,  
UL 50 Type 4 (Listed)



2301 S. HWY 77 Pauls Valley, OK 73075  
T: (800) 753-8459 – F: (877) 220-7236

[sales@ddbunlimited.com](mailto:sales@ddbunlimited.com) [www.ddbunlimited.com](http://www.ddbunlimited.com)



### Features

- .125" Aluminum Construction
- Stainless Steel External Hardware/Hinge
- Key-Lock Compression Turn Latches
- Beige Powder Coat
- Custom Colors Available
- Flexible and Scalable
- 15 Year Warranty
- Quick Shipping

### Weight and Dimensions

- Approximate Exterior Enclosure Dimensions:  
26"H x 22"W x 10.5"D
- Shipping Dimensions:  
28"L x 24"D x 12"H - Boxed
- Approximate Shipping Weight:  
39 lbs - Boxed

# UL50 SBS Series

## SBS-262210C-UL50



### Features

1. Compression Key Lock Latch - UL Listed
2. Standard Plywood Backplate on standoffs
3. Bonding Strap - UL Listed
4. Frame Gasket with vulcanized corners - UL Listed
5. Powder-Coat Cream

2301 S. HWY 77 Pauls Valley, OK 73075

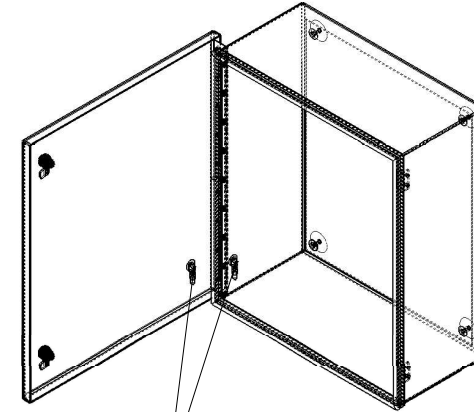
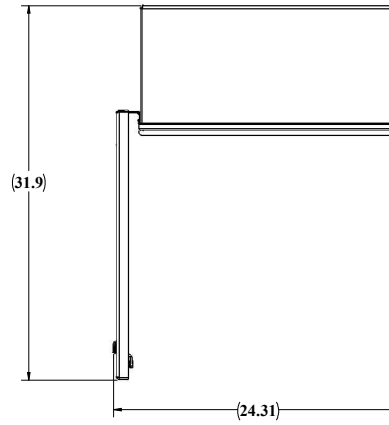
T: (800) 753-8459 – F: (877) 220-7236

[sales@ddbunlimited.com](mailto:sales@ddbunlimited.com) [www.ddbunlimited.com](http://www.ddbunlimited.com)



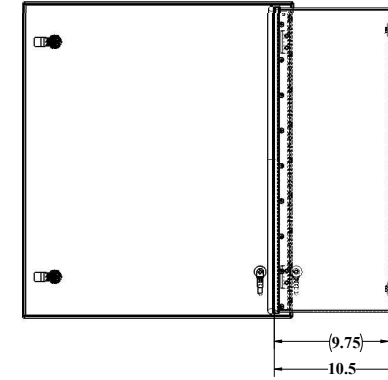
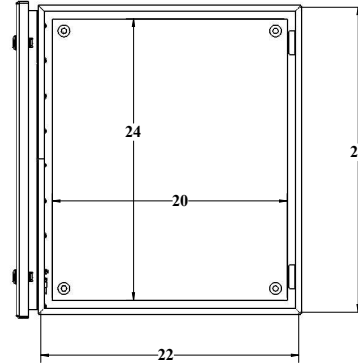
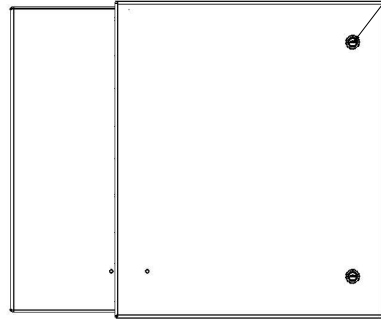
WEB DRAWING (NOT FOR FABRICATION)

REVISIONS		
REV.	DESCRIPTION	DATE
A	SBS WEB DRAWING CREATED PER DR-2305	5/8/2020
F	UPDATED TO REV F. DRAWINGS WERE NEVER UPDATED TO REV B, C, D, E. NO DRAWING REQUESTS WERE EVER ISSUED.	5/9/2022



GROUNDING LUGS WITH PAINT FREE AREA

QUARTER TURN LOCKING

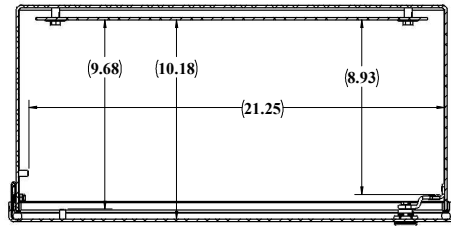
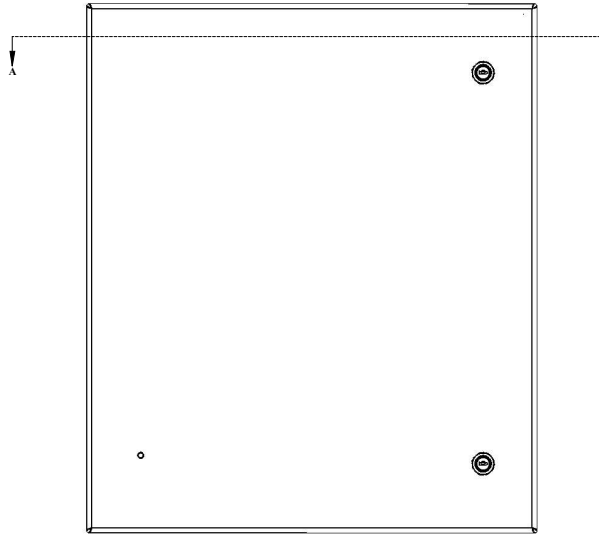


WEB DRAWING (NOT FOR FABRICATION)

UNLESS OTHERWISE SPECIFIED:		NAME	DATE	<b>DDB Unlimited Inc.</b>		
Model No.	1208	05/08/2020	SB-XXXXX-UL50			
Drawn By	Mar-vel	05/09/21	SBS-262210 (Non-UL)			
SALES REPRESENTATIVE	05/10/22	Sales-Request Complete				
Q.A. Appr.	roy	05/10/22	SIZE	Code	DWG. NO.	REV
Prod.Mgr.	Clark	05/10/22	D	SBSYS	02305	F
MATERIAL: 304 STAINLESS STEEL 1/8" THICK		SCALE: 1:8		WEIGHT: 33.47 lbs.		SHEET 1 OF 2
PAINTE: POLYURETHANE SEMI-GLOSS FINISH						
DO NOT SCALE DRAWING						

UNCLASSIFIED - PUBLIC

WEB DRAWING (NOT FOR FABRICATION)



SECTION A-A  
SCALE 1:3

WEB DRAWING (NOT FOR FABRICATION)

UNLESS OTHERWISE SPECIFIED:		<b>DDB Unlimited Inc.</b>		
DIMENSIONS ARE IN INCHES		585-262210 (02305)		
TOLERANCES UNLESS OTHERWISE SPECIFIED:		SRN-262210 (Non U.L.)		
FINISH	1" DIA. ± .005	SIZE	Code Code:	DWG. NO.:
DRILL DIA. ± .005	1/8" DIA. ± .005	D	585YS	02305
DRILL DIA. ± .005	1/16" DIA. ± .005	F		
ALL DIMENSIONS SHOWN		SCALE 1:8 WEIGHT 33.66 lbs. SHEET 2 OF 2		
MATERIAL SPECIFICATION: STEEL, BLENDED		DDB NOT SCALE DRAWING		
PAINT: UNLESS OTHERWISE SPECIFIED				

UNCLASSIFIED PUBLIC  
THE INFORMATION CONTAINED IN THIS DRAWING IS THE SOLE PROPERTY OF DDB Unlimited, INC. ANY REPRODUCTION IN PART OR AS A WHOLE WITHOUT THE WRITTEN PERMISSION OF DDB Unlimited, INC. IS PROHIBITED.