

Why Choose the Filter Shroud?

Do you need the perfect NEMA 3R enclosure with added extra protection from the water? Is your enclosure exposed to hard, wind-blown rain, occasional hurricanes, everyday sprinkler systems or seasonal snow drifts?

These are some important questions to have answers for when planning for a build that is guaranteed to last in the harsh environments, for information technology, wireless enclosures. DDB Unlimited has the solution for you!

NEMA, Type 3R, only requires an enclosure be tested to simulated, wind-blown rain, at a 45° angle, at 5 psi. Often, this is not enough to give NEMA 3R enclosures the protection ultimately desired. In real world scenarios, water

always takes the path of least resistance, causing real damage to sensitive equipment! With over 20 years of

expert experience and with over 70,000 DDB enclosures deployed into the field, let our expert Sales staff assist you with that next level of protection, beyond Type 3R protection! No one knows enclosures better than DDB

Unlimited!

Application Types

- OD line of 3R enclosures
- WOD line of 3R enclosures
- SOD line of 3R enclosures
- SB line of 3R enclosures
- SVP line of 3R enclosures
- 2OD line of 3R enclosures
- 3OD line of 3R enclosures



Features

- .125 Aluminum construction
- Powder coat cream color
- Weatherproof gasket
- 4 corner mounting hardware included

Weight and Dimensions

Approximate Exterior Dimensions:

8.5"H x 12.5"W x 4"D

Shipping Dimensions:

9" x 13" x 5"

Approximate Shipping Weight:

Boxed 3 lbs.

2301 S. HWY 77 Pauls Valley, OK 73075

T: (800) 753-8459 – F: (877) 220-7236

sales@ddbunlimited.com www.ddbunlimited.com

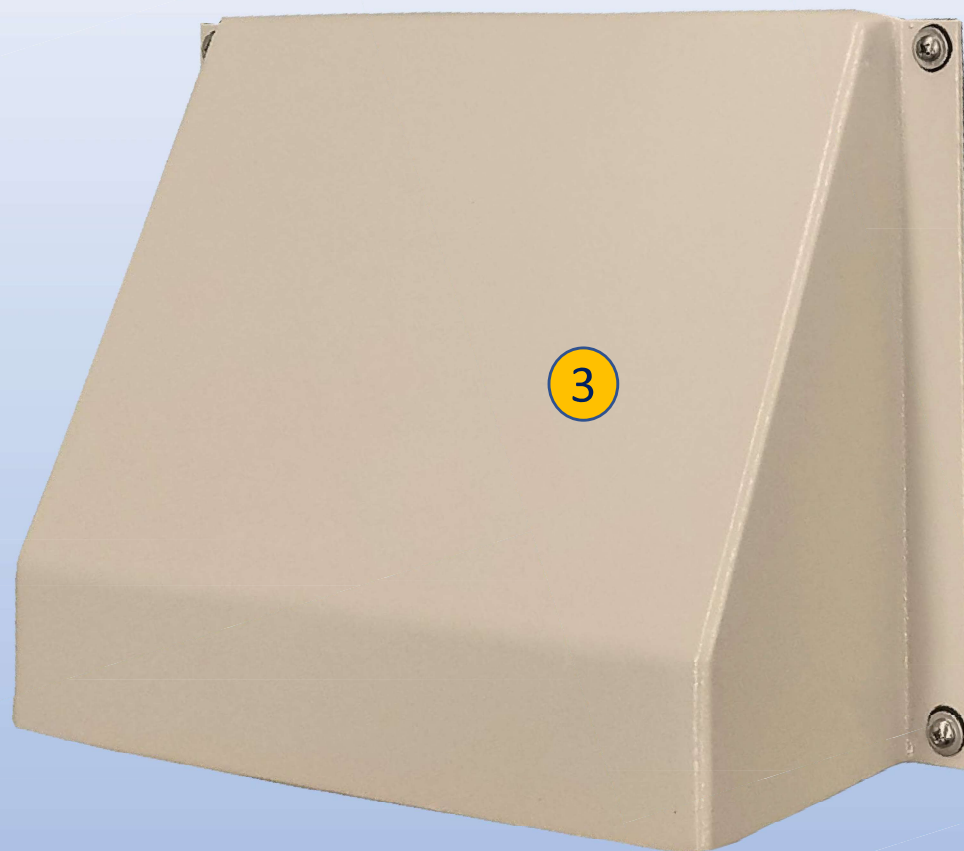
Accessories

ZP-Filter Shroud

Made in America



Believing in American
Craftsmanship



Features

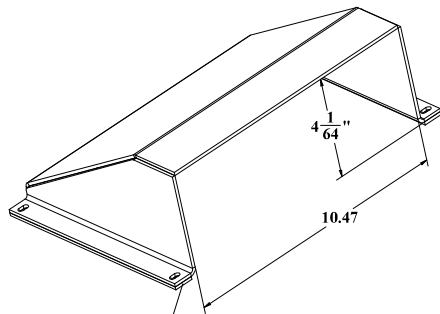
1. Gasket added for tight seal
2. Master Seal® washers for a guaranteed seal
3. Powder coated cream; 1000 hours salt fog tested

Scan this code to
visit our online store

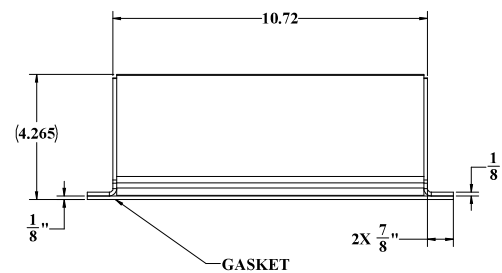
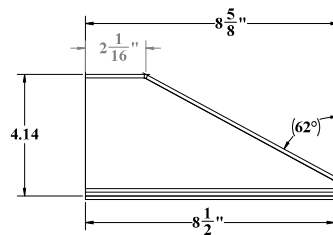
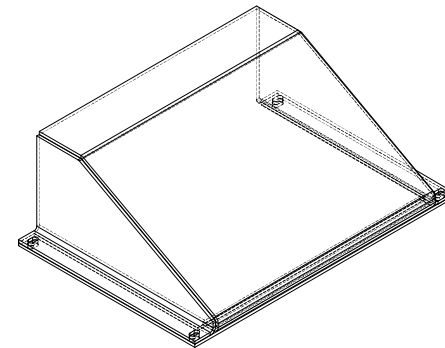
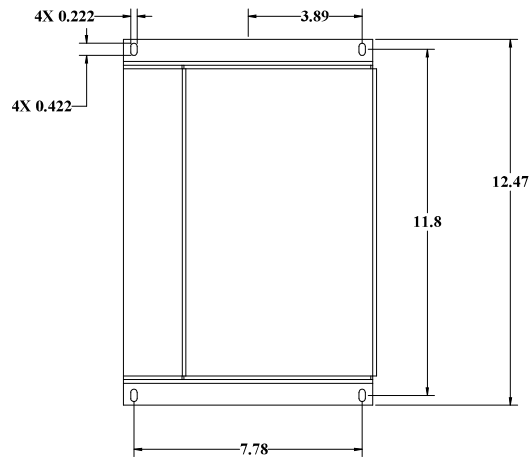


WEB DRAWING (NOT FOR FABRICATION)

| REVISIONS | | |
|-----------|---|-----------|
| REV. | DESCRIPTION | DATE |
| A | STANDARD OD-WOD-20D-30D FILTER SHROUD FOR FRONT AND REAR DOORS. | 5/6/2022 |
| B | UPDATED ALL FORMATS | 8/19/2022 |



GASKET



WEB DRAWING (NOT FOR FABRICATION)

| UNLESS OTHERWISE SPECIFIED: | | NAME | DATE | DDB Unlimited Inc. | | |
|---|-------------|---------|----------|---------------------------|----------------|---------------|
| COMPRESSOR LAMP OR FILTER | Model by: | 5008 | 08/12/22 | Z1-Filter-Shroud | | |
| ARTICULAR | Drawn by: | Man-145 | 05/06/21 | Z1-Filter-Shroud | | |
| SPRING | By: | | | | | |
| FLAT | Checked by: | | | | | |
| THREE PLACES TOTAL | Sales Rep: | | | | | |
| | Q.A. Appr: | 109 | 08/18/22 | SHEET | Cage Code: | DWG. NO.: |
| | Prod.Mgr: | Ch465 | 08/18/22 | D | 88515 | 02836 |
| | | | | | | |
| MATERIAL: 304 STAINLESS STEEL-20# | | | | | | |
| FANZ: HAWKINS, WOOD, WELLS, QUINN-CRISP | | | | | | |
| DO NOT SCALE DRAWING | | | | SCALE: 1:2 | WEIGHT: 2 lbs. | SHEET: 1 OF 2 |

UNCLASSIFIED PUBLIC

File Location: \\DDB\EPDM_Vse\Dr\ C:\DDB\Drawing Request\Customer\DDW WEB DWG\Climate Control\02836 (Z1-Filter-Shroud)

DDB FORM 7.1-2 REV. 05/02/19

