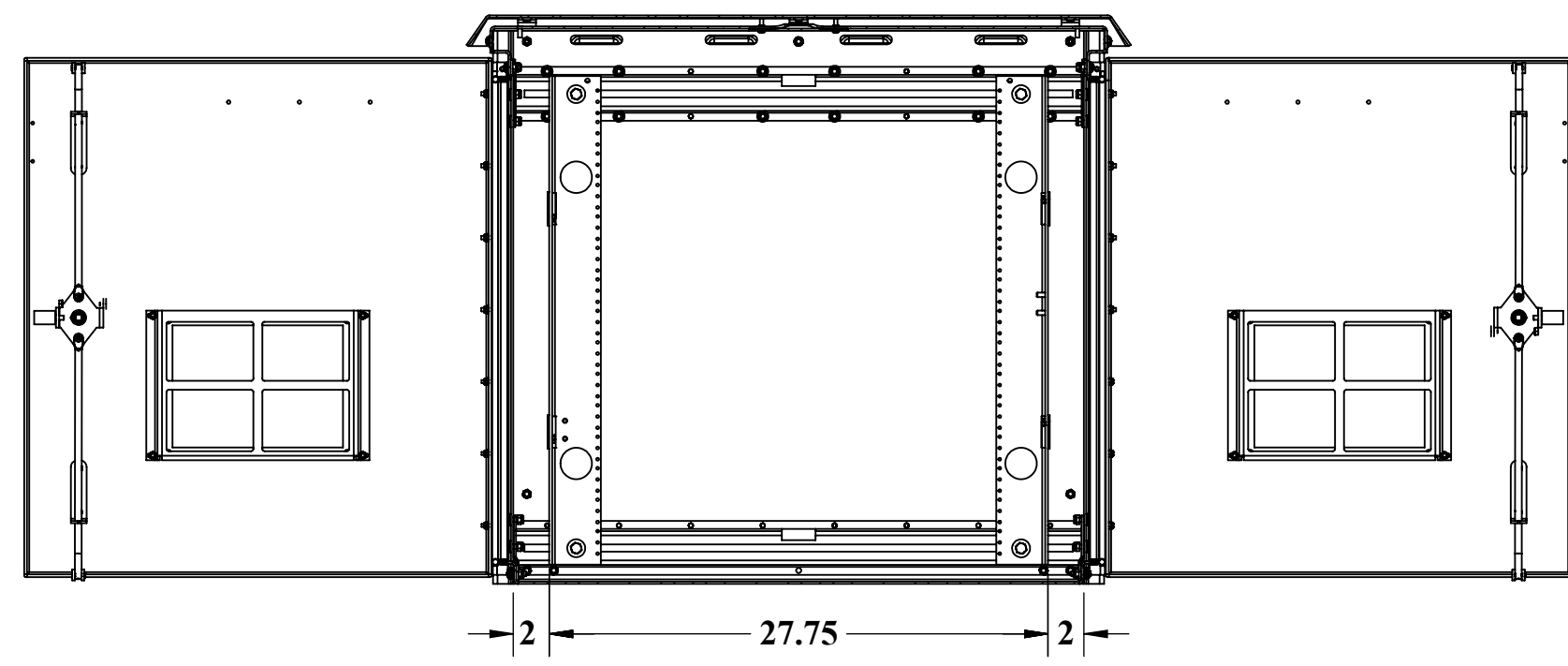
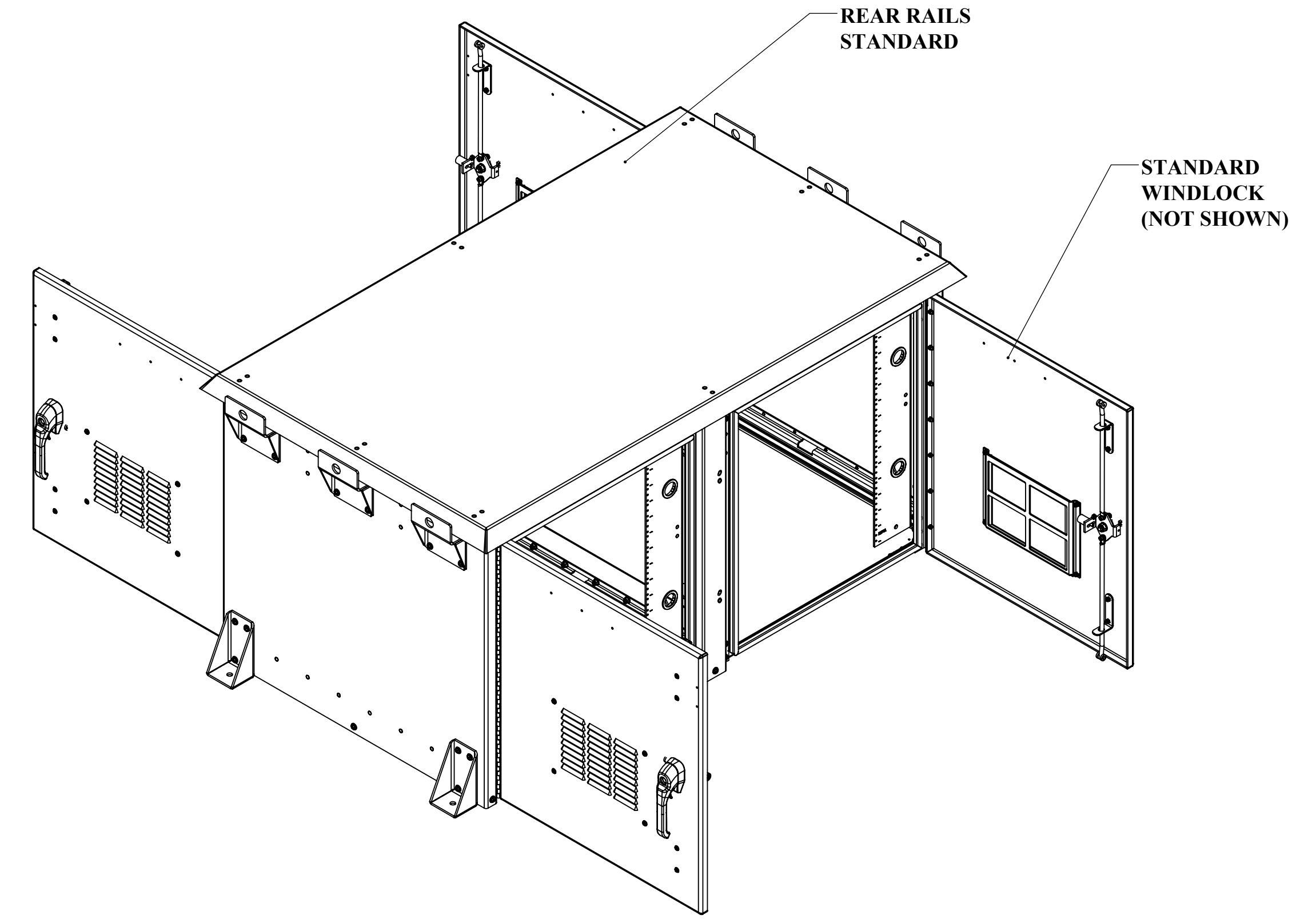
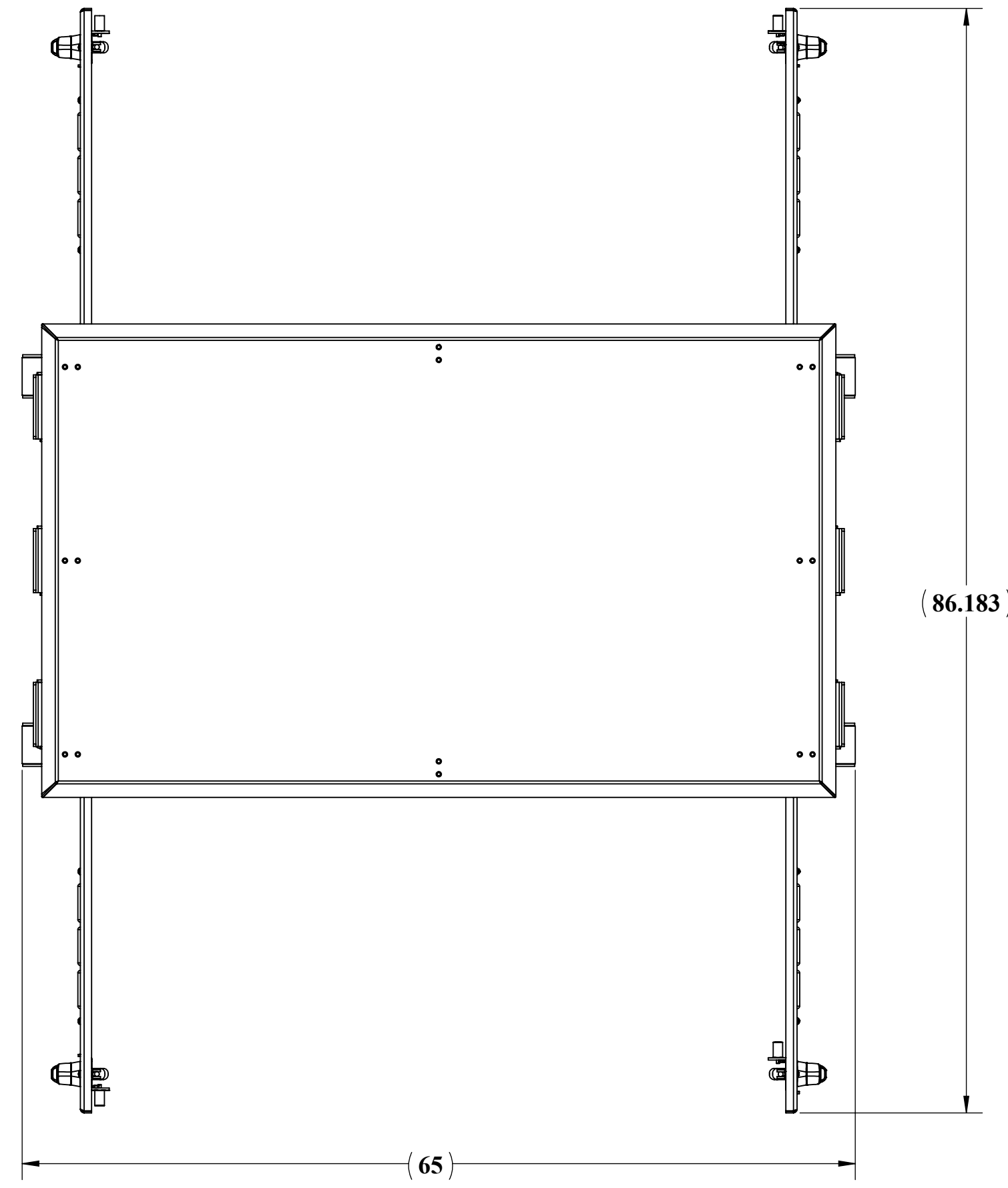
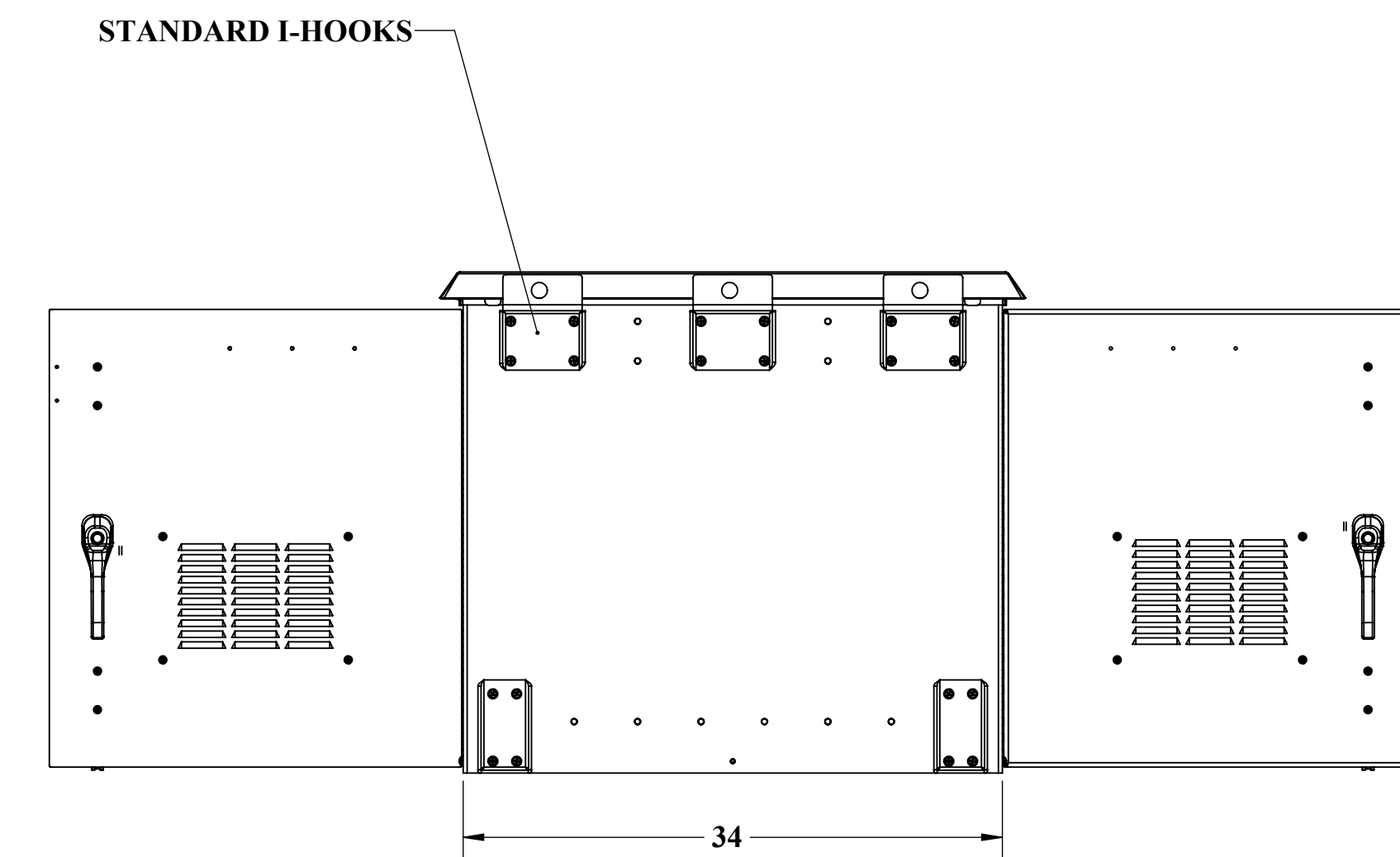
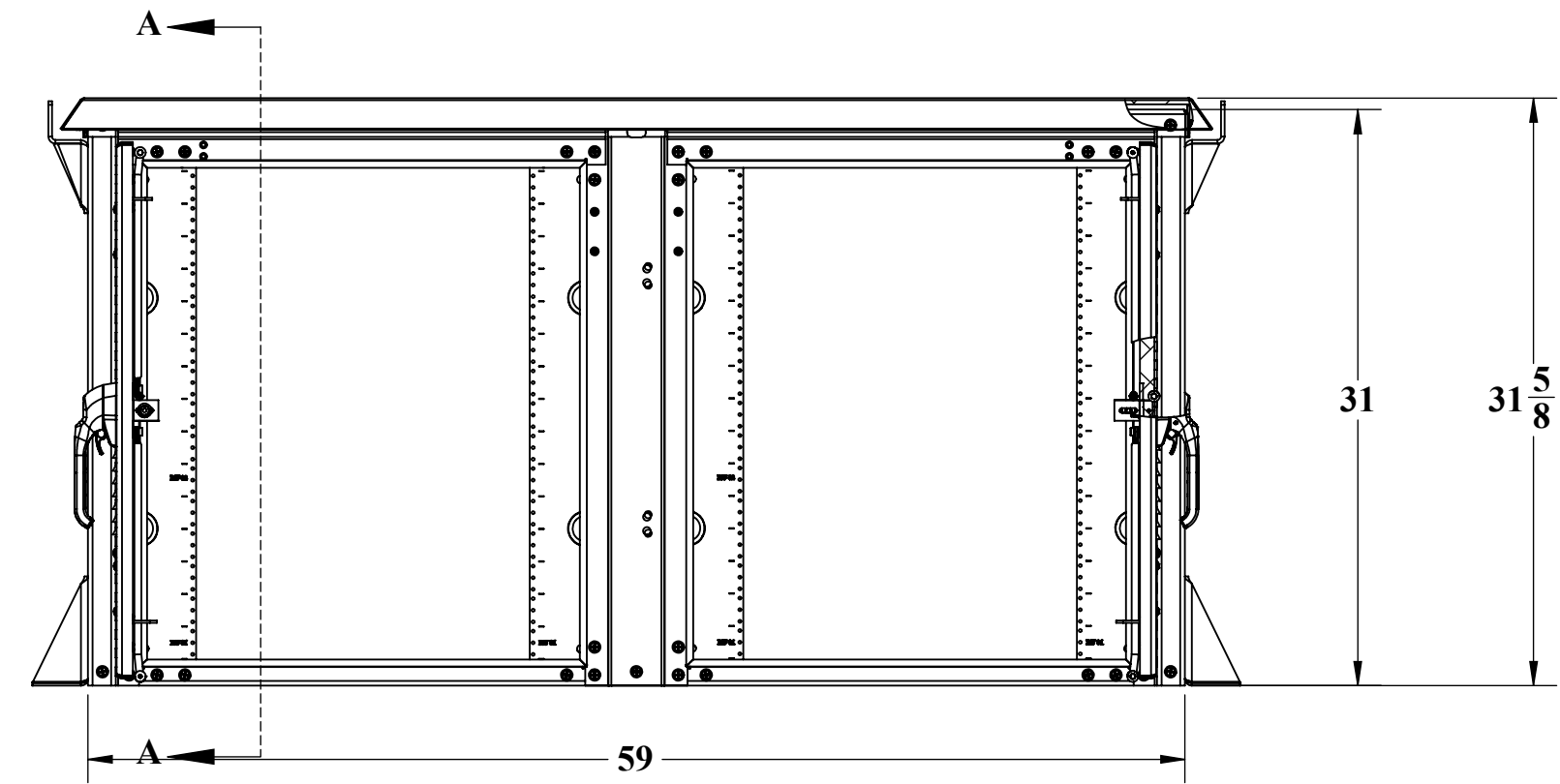


WEB DRAWING (NOT FOR FABRICATION)

REVISIONS		
REV.	DESCRIPTION	DATE
A	Initial Release per DR-00960	5/28/2014
B	UPDATED FORMAT	11/17/2020



SECTION A-A
SCALE 1 : 10

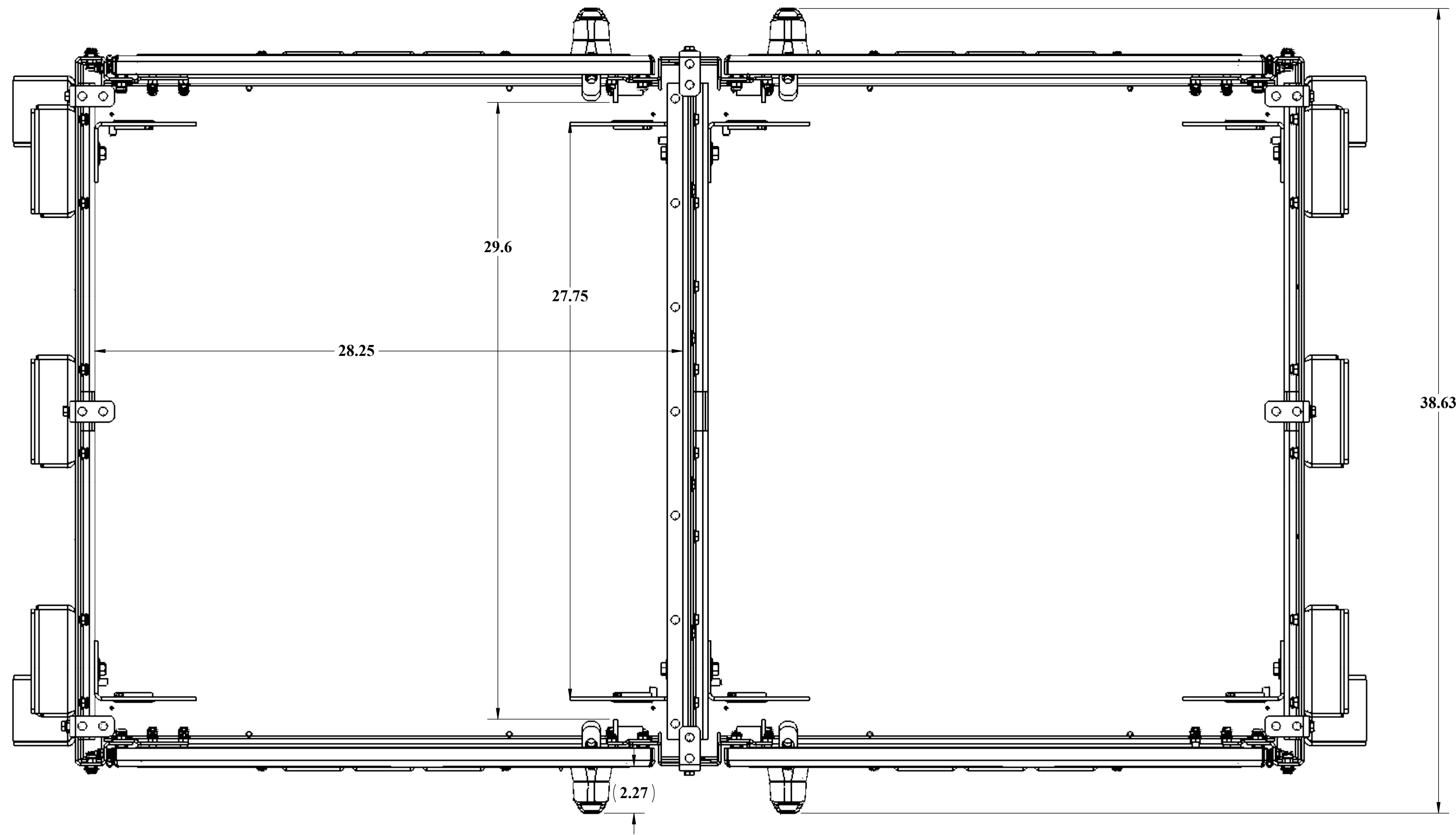


WEB DRAWING (NOT FOR FABRICATION)

UNLESS OTHERWISE SPECIFIED:		NAME	DATE	DDB Unlimited Inc.			
DIMENSIONS ARE IN INCHES		Model by:	DDB	20D-XXXX			
ANGULAR:	±1°	Drawn by:	EdwardW	DWG, WEB, 20D, 30, DD			
FRACTIONAL/NO DECIMAL:	±0.1250	Sales.Rep.:	Bryan C.	SIZE	Cage Code:	DWG. NO.:	REV
ONE PLACE DECIMAL:	±0.0625	Q.A.Appr.:	roy	D	385Y5	00960	B
TWO PLACE DECIMAL:	±0.03125	Prod.Mgr.:	ClarkK	SCALE: 1:8	WEIGHT: 251 lbs.	SHEET 1 OF 3	
THREE PLACE DECIMAL:	±0.015625						
ALL HOLES ±0.0010		Control Number:					
MATERIAL: 5032-H32 ASTM B209-04							
PAINT: Hammer Vaport, Reg. Class Textures E-4309							
DO NOT SCALE DRAWING							

8 7 6 5 4 3 2 1

H G F E D C B A



TOP VIEW SOLAR SHIELD AND CEILING NOT SHOWN

UNLESS OTHERWISE SPECIFIED:		DDB Unlimited Inc.	
DIMENSIONS ARE IN INCHES		20D-30DD (CLOSED)	
ANGULAR: ±1°		DWG. NO.: 00960	
FRACTIONAL NO DECIMAL: ±0.125		SIZE	REV
ONE PLACE DECIMAL: ±0.0625		Cage Code:	B
TWO PLACE DECIMAL: ±0.03125		D	385Y5
THREE PLACE DECIMAL: ±0.015625		SCALE: 1:8	WEIGHT: 249 lbs.
ALL HOLES: ±0.0031		SHEET 2 OF 3	
MATERIAL: 5032-H32 ASTM B209-04		DO NOT SCALE DRAWING	
PAINT: Diamond Vogel, Beige Gloss Texture ET-8320			

UNCLASSIFIED PUBLIC
THE INFORMATION CONTAINED IN THIS DRAWING IS THE SOLE PROPERTY OF DDB Unlimited, INC. ANY REPRODUCTION IN PART OR AS A WHOLE WITHOUT THE WRITTEN PERMISSION OF DDB Unlimited, INC. IS PROHIBITED.

DDB FORM: 7.1-2-REV:K 08/02/17

8

7

6

5

4

3

2

1

H

G

F

E

D

C

B

A

H

G

F

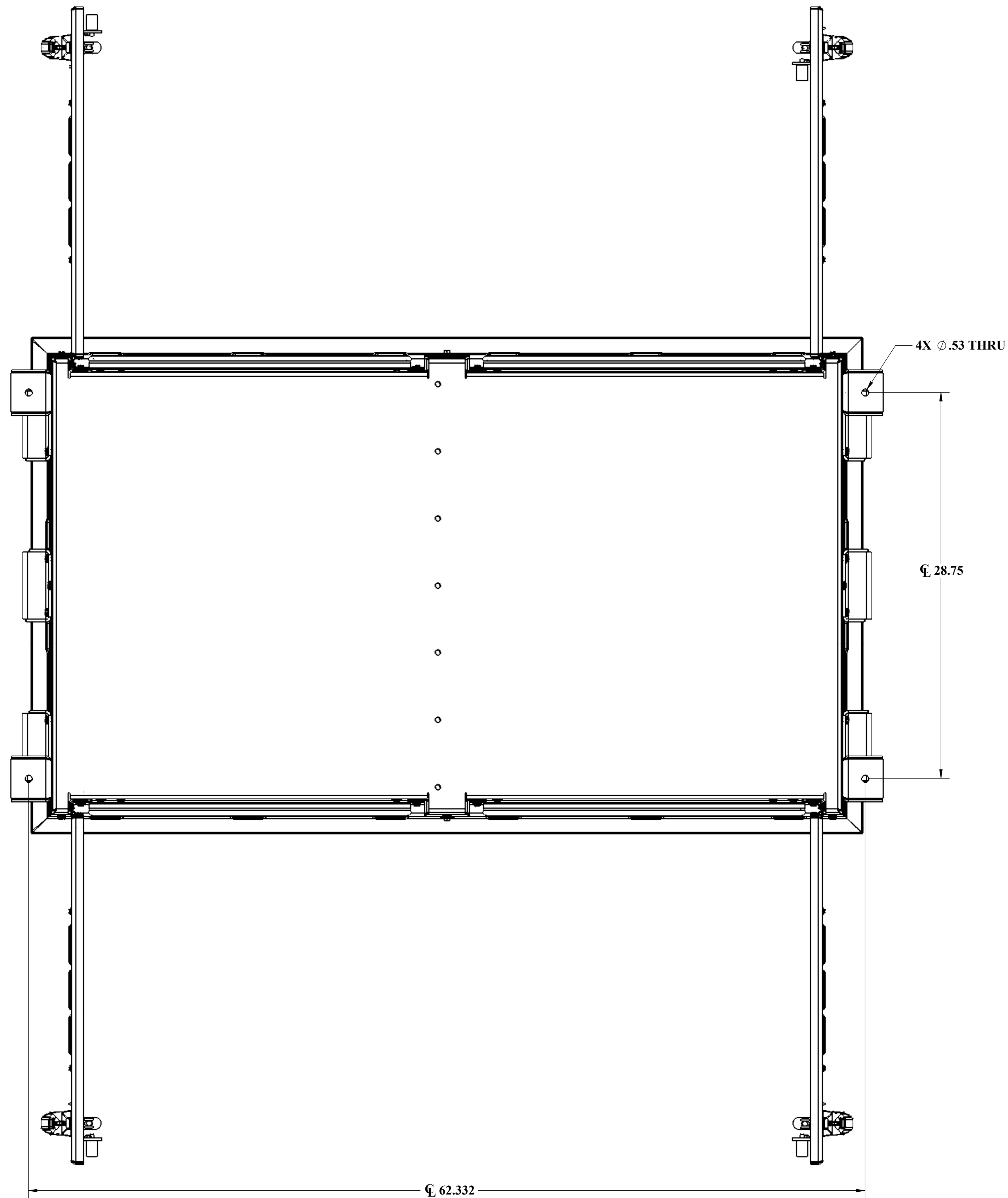
E

D

C

B

A



62.332

28.75

4X Ø.53 THRU

MOUNTING HOLES

UNLESS OTHERWISE SPECIFIED:				DDB Unlimited Inc.			
DIMENSIONS ARE IN INCHES				20D-30DD			
ANGULAR: ±1°				DWG. WEB, 20D, 30, DD			
FRACTIONAL NO DECIMAL: ±0.125				SIZE	Cage Code:	DWG. NO.:	REV
ONE PLACE DECIMAL: ±0.0625				D	385Y5	00960	B
TWO PLACE DECIMAL: ±0.03125				SCALE: 1:8 WEIGHT: 251 lbs. SHEET 3 OF 3			
THREE PLACE DECIMAL: ±0.015625				DO NOT SCALE DRAWING			
MATERIAL: 5032-H32 ASTM B209-04							
PAINT: Diamond Vogel, Beige Gloss Texture ET-8320							

UNCLASSIFIED PUBLIC

THE INFORMATION CONTAINED IN THIS DRAWING IS THE SOLE PROPERTY OF DDB Unlimited, INC. ANY REPRODUCTION IN PART OR AS A WHOLE WITHOUT THE WRITTEN PERMISSION OF DDB Unlimited, INC. IS PROHIBITED.