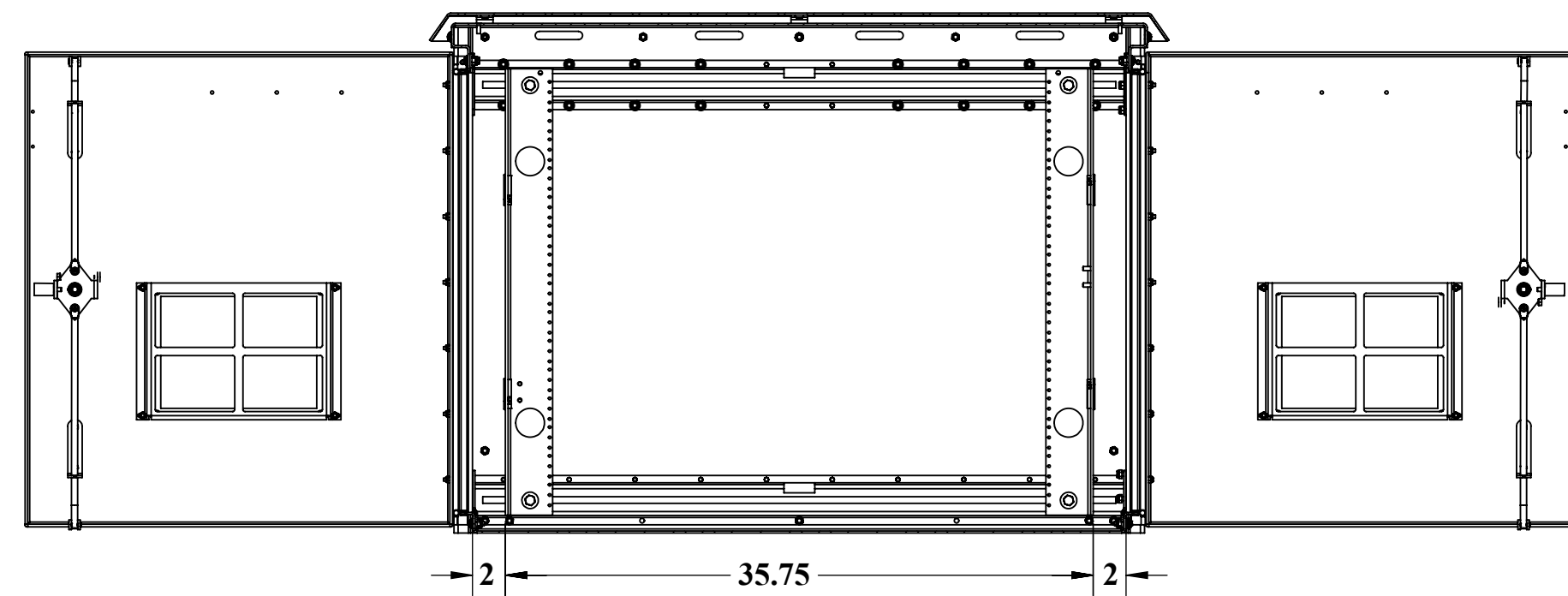
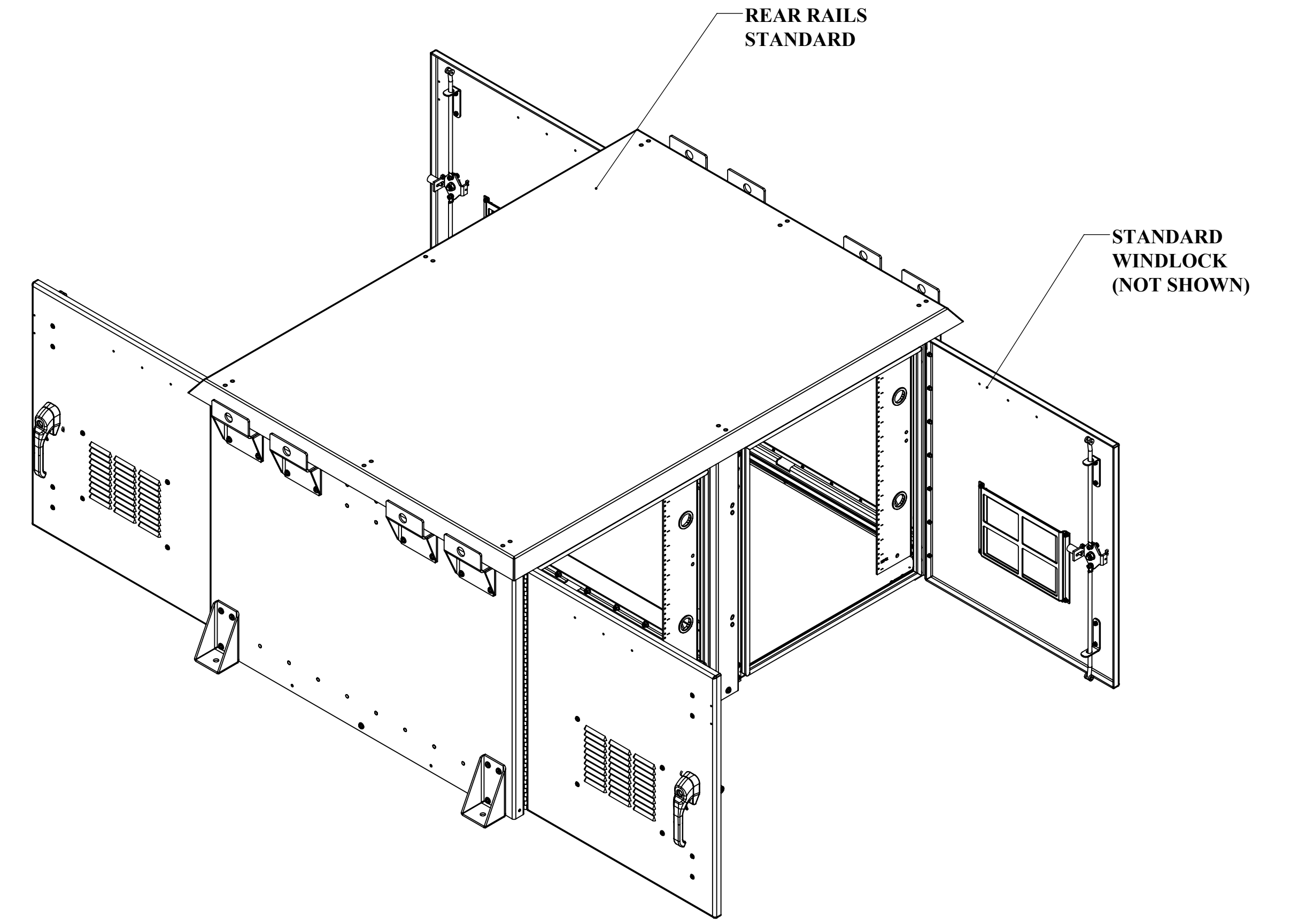
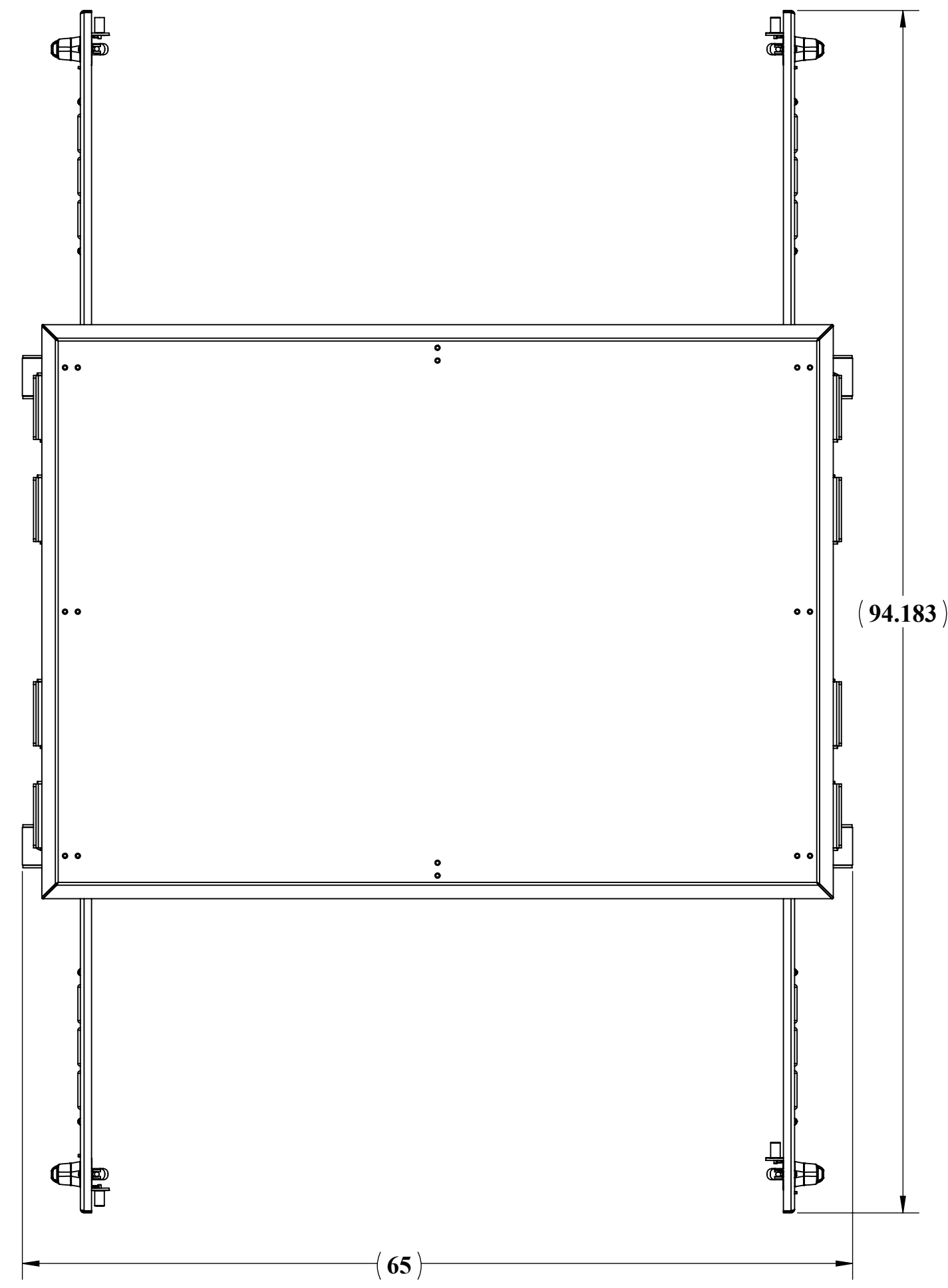
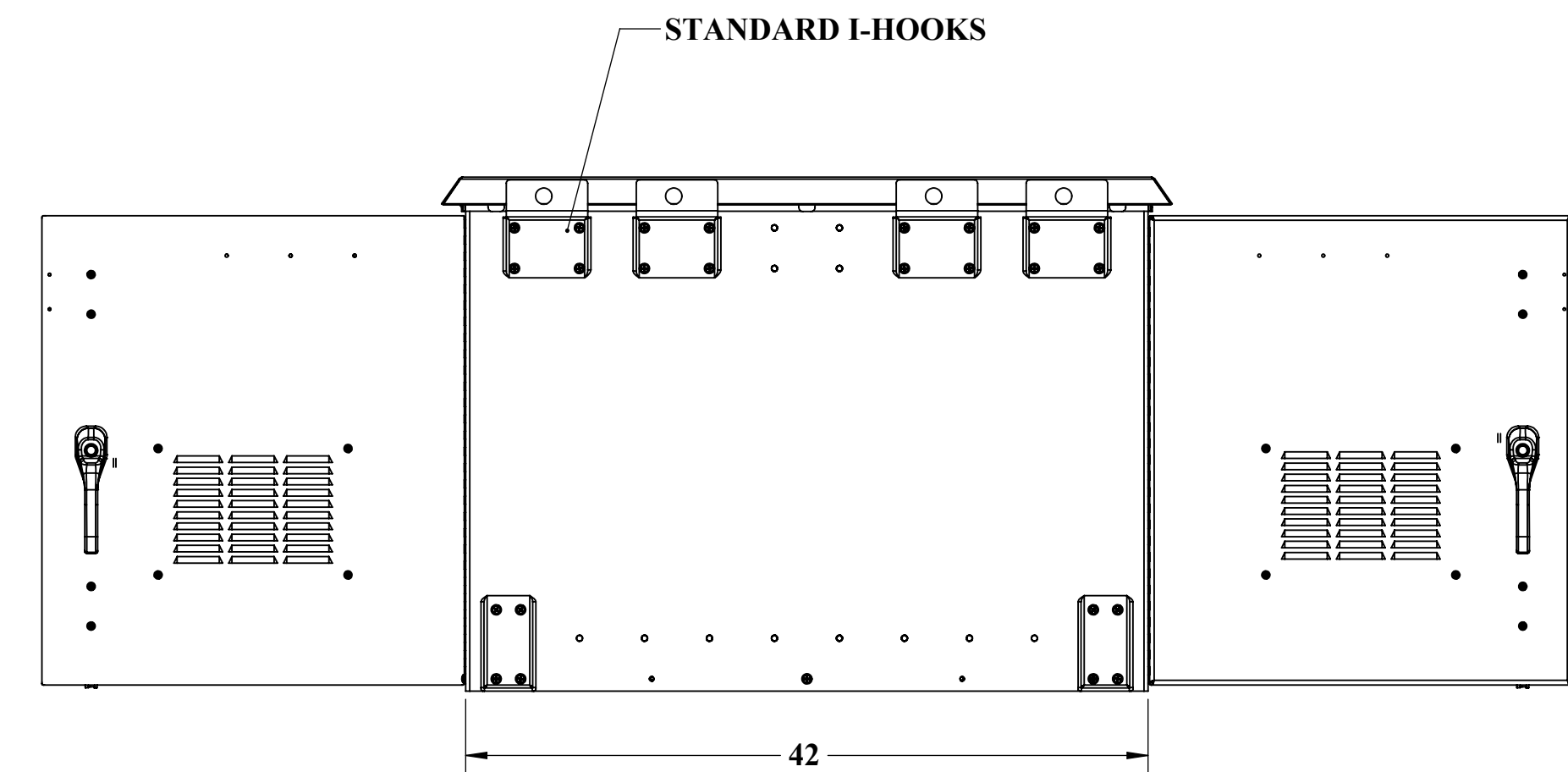
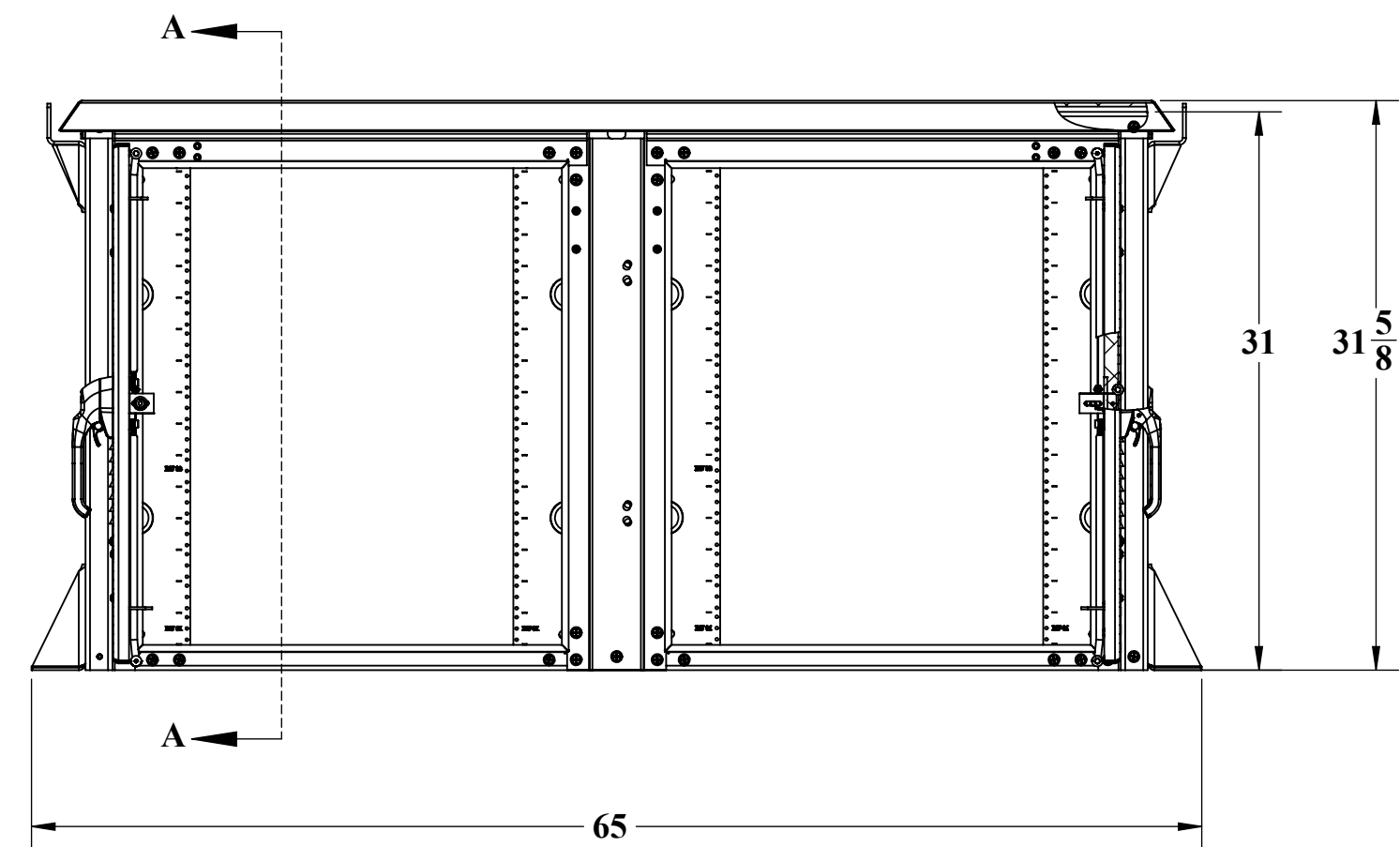


WEB DRAWING (NOT FOR FABRICATION)

REVISIONS		
REV.	DESCRIPTION	DATE
A	Initial Release per DR-00962	5/28/2014
B	UPDATED SHEET FORMAT	11/18/2020



SECTION A-A
SCALE 1 : 10

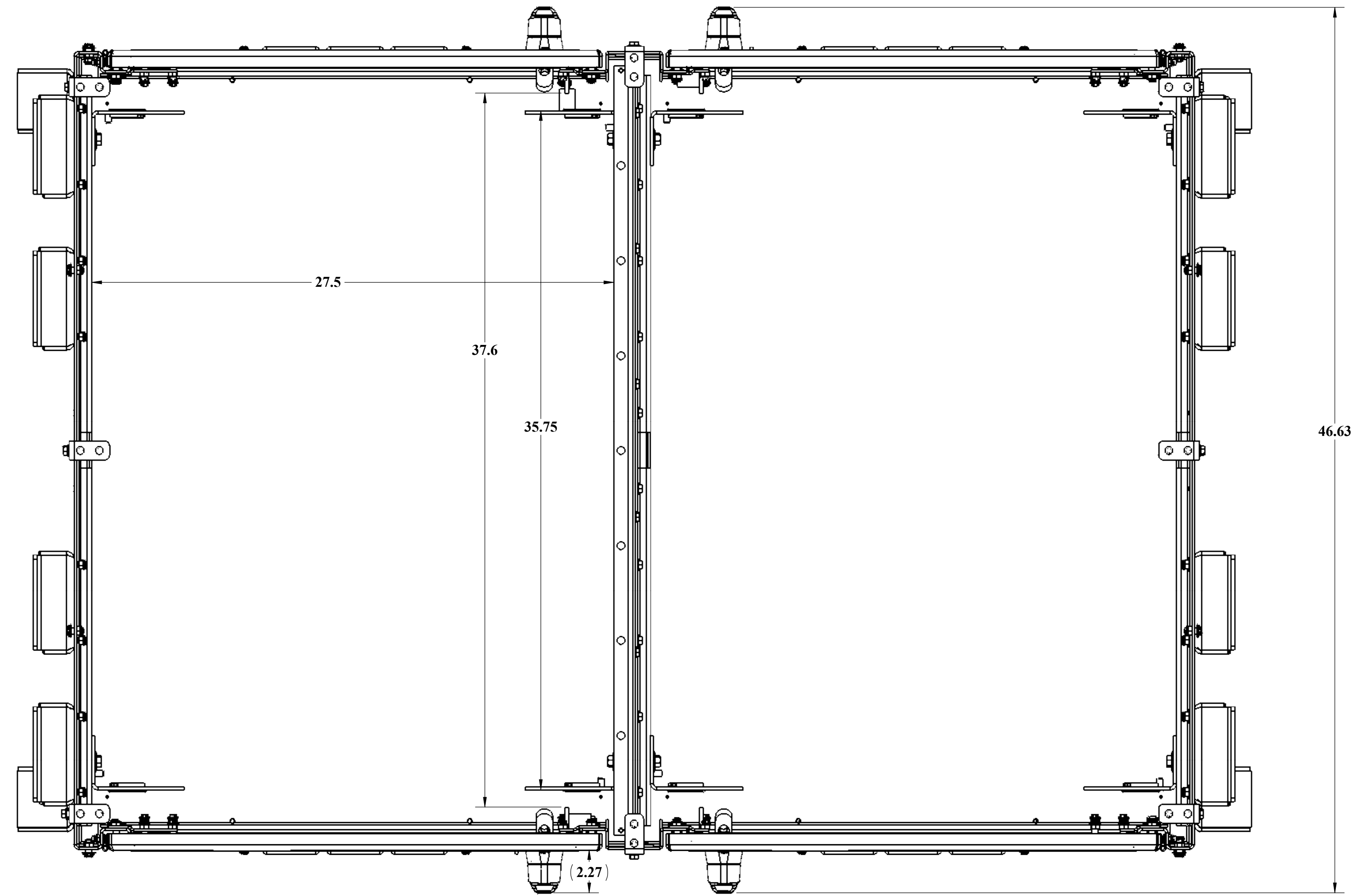


WEB DRAWING (NOT FOR FABRICATION)

UNLESS OTHERWISE SPECIFIED:		NAME	DATE	DDB Unlimited Inc.				
DIMENSIONS ARE IN INCHES		Model by:	DDB	6/4/2014	20D-XXXX			
ANGULAR:	±1°	Drawn by:	EdwardW	06/04/14	DWG, WEB, 20D, 30, DD			
FRACTIONAL/NO DECIMAL:	±0.1250	Sales.Rep.:	Bryan C.		SIZE	Cage Code:	DWG. NO.:	REV
ONE PLACE DECIMAL:	±0.0625	Q.A.Appr.:	troy	11/18/20	D	385Y5	00962	B
TWO PLACE DECIMAL:	±0.03125	Prod.Mgr.:	ClarkK	11/19/20	SCALE: 1:8	WEIGHT: 281 lbs.		SHEET 1 OF 3
THREE PLACE DECIMAL:	±0.015625							
MATERIAL: 5052-H32 ASTM B209-04		Control Number:						
PAINT: BRANSON VOGEL BRIDGE GLOSS TEXTURE ET-4028		Control Number:						
DO NOT SCALE DRAWING								

8 7 6 5 4 3 2 1

H G F E D C B A



TOP VIEW SOLAR SHIELD AND CEILING NOT SHOWN

UNLESS OTHERWISE SPECIFIED:		DDB Unlimited Inc.	
DIMENSIONS ARE IN INCHES		20D-30DDX-CLOSED	
ANCHOR: 1"		DWG. WEB, 20D, 30, DDX	
FRACTIONAL NO DECIMAL: ±0.125		SIZE	Cage Code: DWG. NO.: REV
ONE PLACE DECIMAL: ±0.0625		D	385Y5 00962 B
TWO PLACE DECIMAL: ±0.03125		SCALE: 1:8 WEIGHT: 279 lbs. SHEET 2 OF 3	
THREE PLACE DECIMAL: ±0.015625			
ALL HOLES: ±0.0031			
MATERIAL: 5052-H32 ASTM B209-04			
PAINT: DIAMOND VOGEL BEIGE GLOSS TEXTURE ET-433			
DO NOT SCALE DRAWING			

UNCLASSIFIED PUBLIC
THE INFORMATION CONTAINED IN THIS DRAWING IS THE SOLE PROPERTY OF DDB Unlimited, INC. ANY REPRODUCTION IN PART OR AS A WHOLE WITHOUT THE WRITTEN PERMISSION OF DDB Unlimited, INC. IS PROHIBITED.

8 7 6 5 4 3 2 1

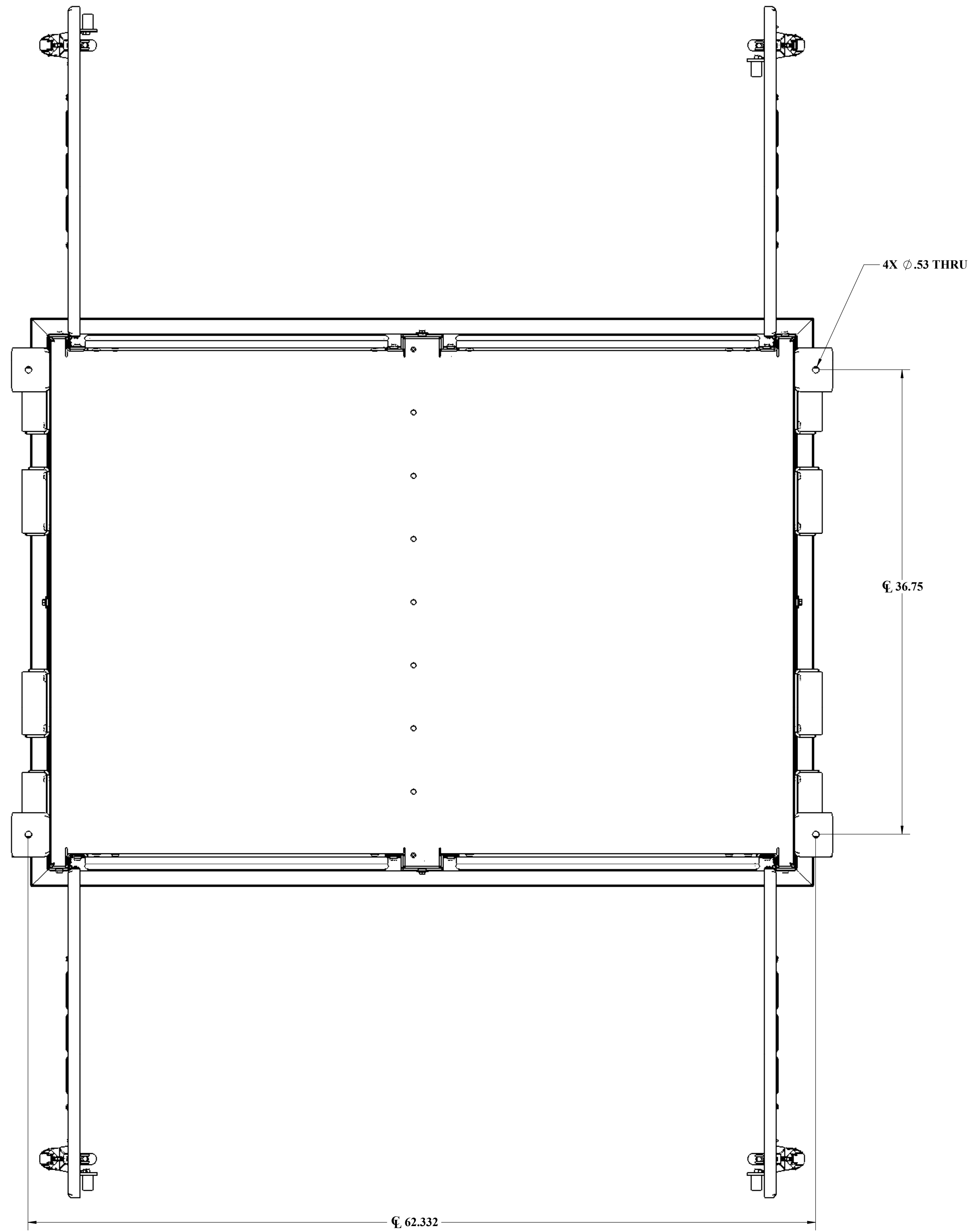
H G F E D C B A

DDB FORM: 7.1-2-REV:K 08/02/17

8 7 6 5 4 3 2 1

H G F E D C B A

H G F E D C B A



MOUNTING HOLES

UNLESS OTHERWISE SPECIFIED:			
DIMENSIONS ARE IN INCHES			
ANGULAR:	±1°		
FRACTIONAL NO DECIMAL:	±0.1250		
ONE PLACE DECIMAL:	±0.0625		
TWO PLACE DECIMAL:	±0.0312		
THREE PLACE DECIMAL:	±0.0156		
ALL HOLES: ±0.0031 Ø.			
MATERIAL:	5052-H32 ASTM B209-04		
PAINT: DIAMOND VOGEL, BEIGE GLOSS TEXTURE ET-432			
DO NOT SCALE DRAWING			
DDB Unlimited Inc.			
20D-30DDX			
DWG, WEB, 20D, 30, DDX			
SIZE	Cage Code:	DWG. NO.:	REV
D	385Y5	00962	B
SCALE: 1:8		WEIGHT: 281 lbs.	SHEET 3 OF 3

UNCLASSIFIED PUBLIC
THE INFORMATION CONTAINED IN THIS DRAWING IS THE SOLE PROPERTY OF DDB Unlimited, INC. ANY REPRODUCTION IN PART OR AS A WHOLE WITHOUT THE WRITTEN PERMISSION OF DDB Unlimited, INC. IS PROHIBITED.