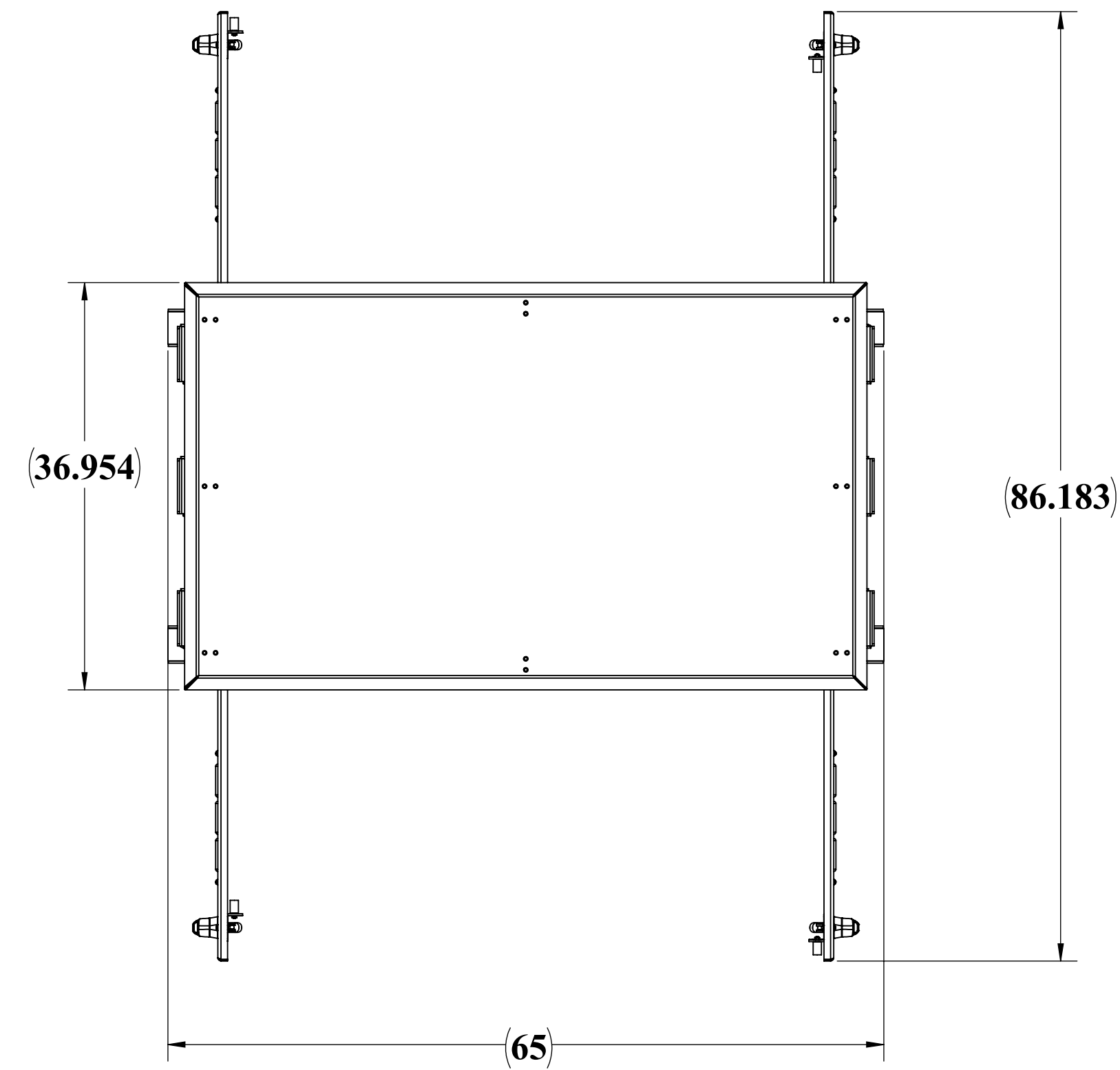
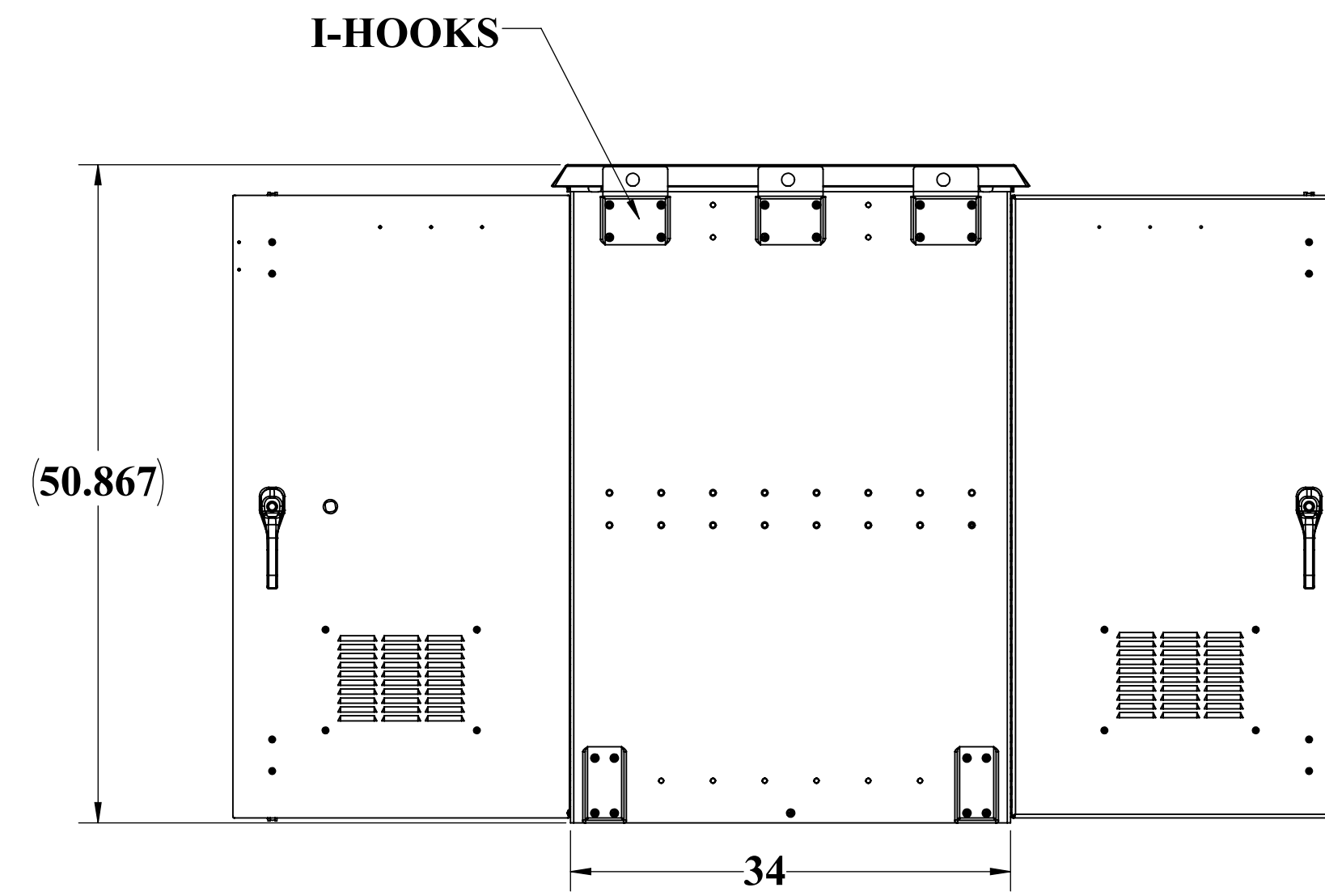
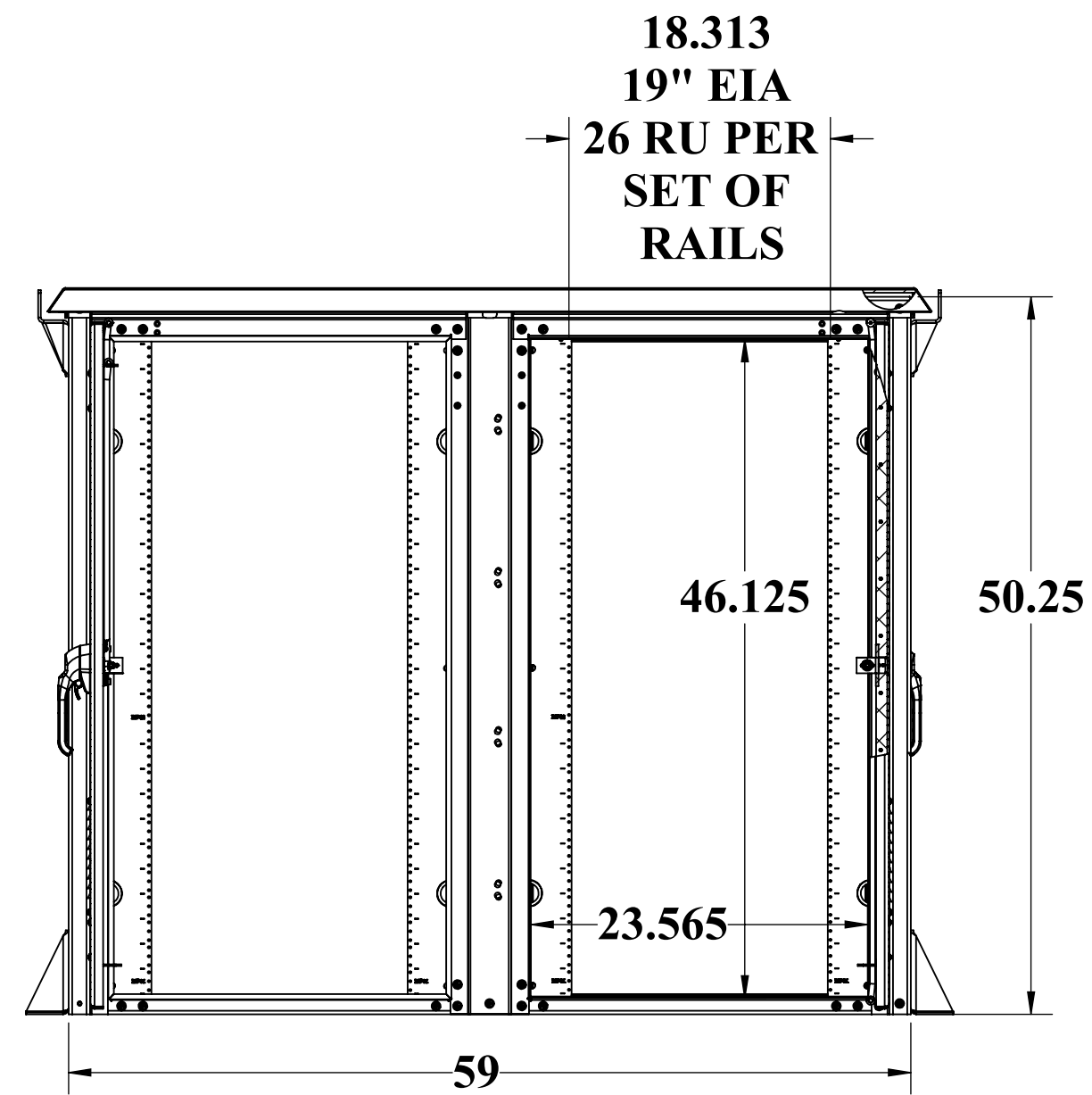
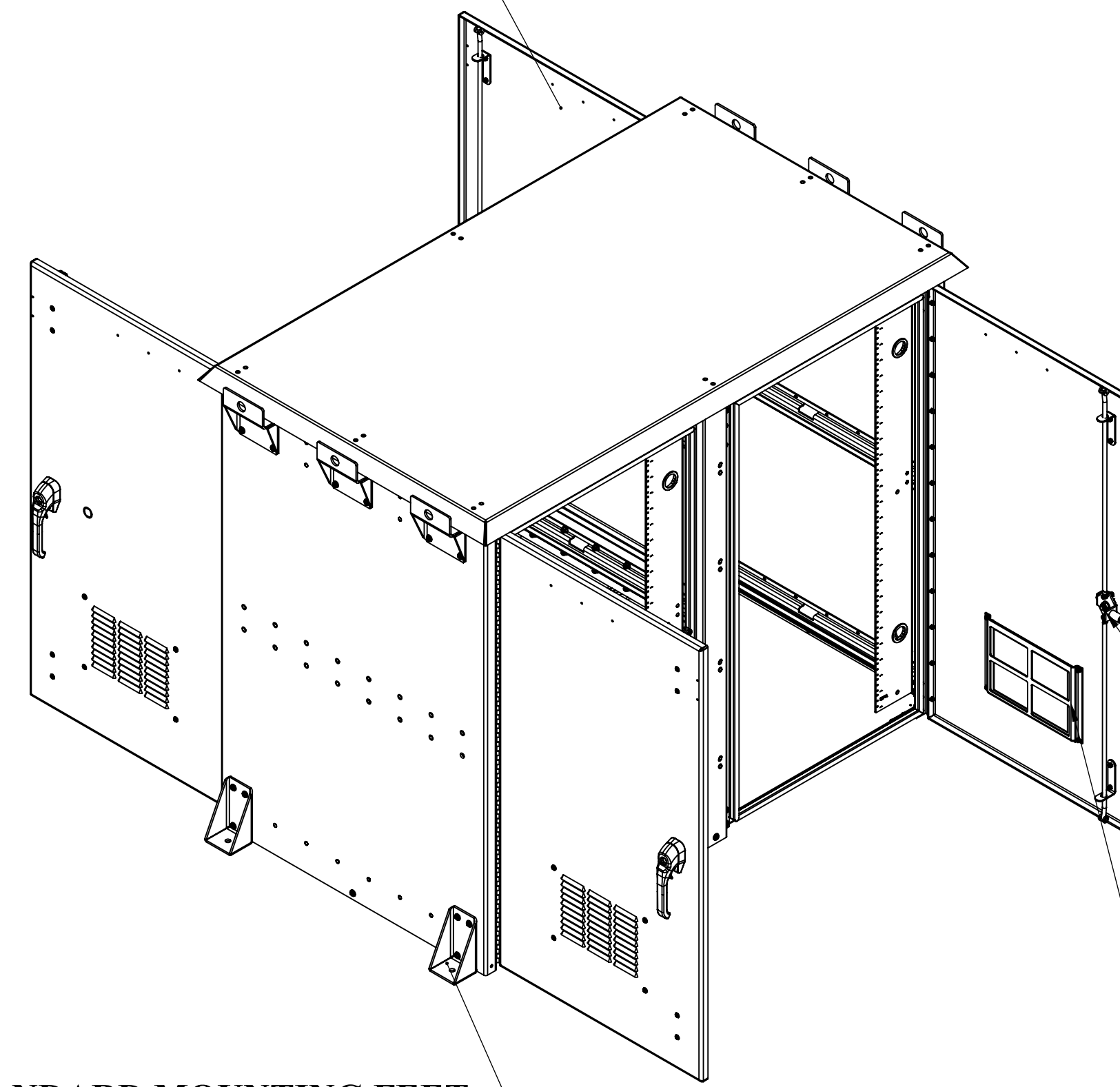


WEB DRAWING (NOT FOR FABRICATION)

REVISIONS		
REV.	DESCRIPTION	DATE
A	Initial Release per DR-00964	5/28/2014
B	UPDATED TO NEW REQUIREMENTS	8/11/2017
C	NEW FORMAT	11/23/2020

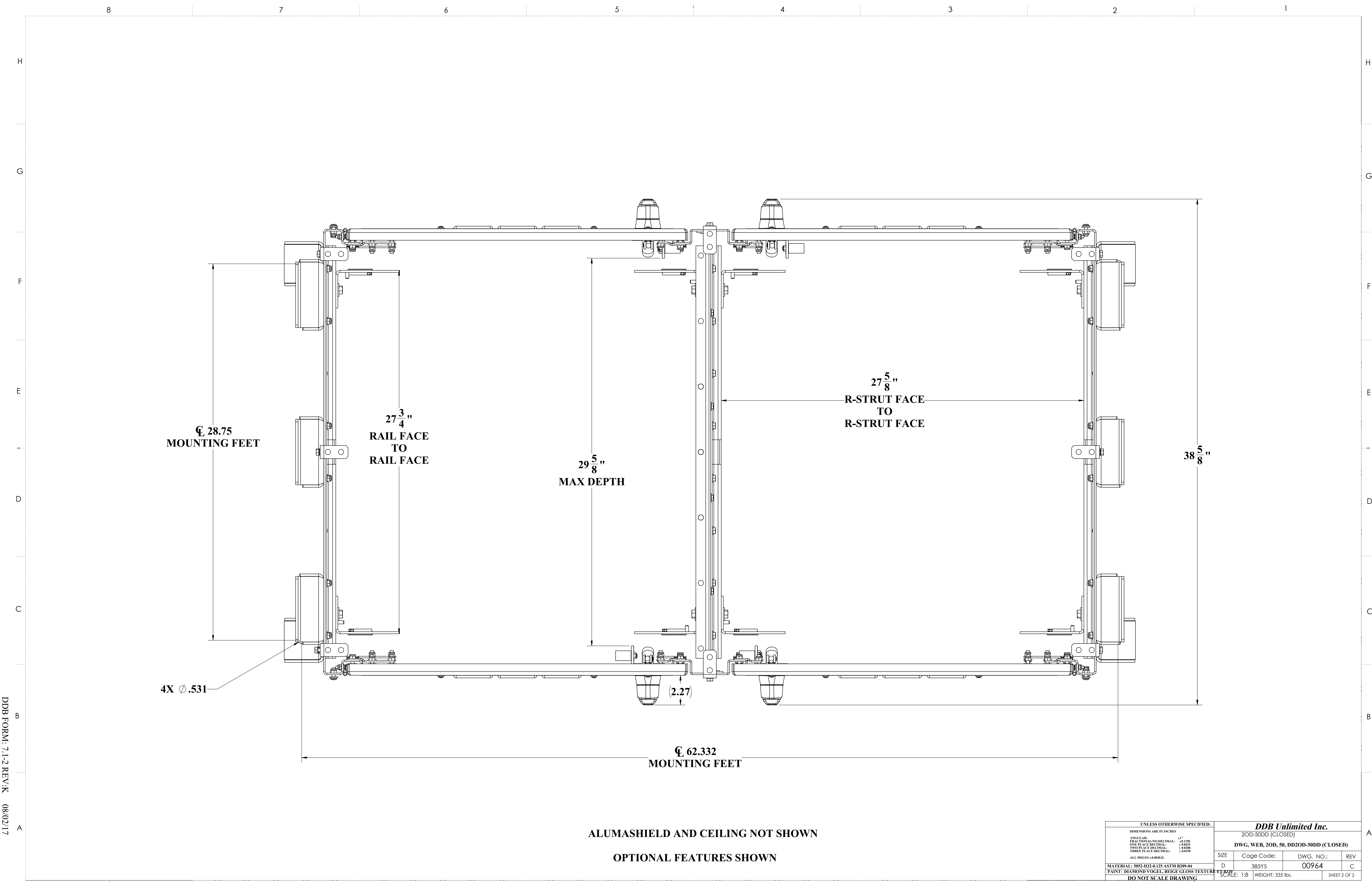


STANDARD WINDLOCKS
WILL BE ADDED TO
ENCLOSURE ON EACH DOOR



WEB DRAWING (NOT FOR FABRICATION)

UNLESS OTHERWISE SPECIFIED:		NAME	DATE	DDB Unlimited Inc.				
DIMENSIONS ARE IN INCHES		Model by:	DDB	6/4/2014	20D-XXXX			
ANGULAR:	±1°	Drawn by:	gerone	08/11/17	DWG, WEB, 20D, 50, DD			
FRACTIONAL/NO DECIMAL:	±0.1250	Sales.Rep:	Ryan Campbell		SIZE	Cage Code:	DWG. NO.:	REV
ONE PLACE DECIMAL:	±0.0625	Q.A. Appr.:	tray	11/24/20	D	385Y5	00964	C
TWO PLACE DECIMAL:	±0.03125	Prod.Mgr.:	ClarkK	11/24/20	SCALE: 1:8	WEIGHT: 339 lbs.	SHEET 1 OF 2	
THREE PLACE DECIMAL:	±0.015625	Control Number:						
MATERIAL: 5052-H32-0.125 ASTM B209-04								
PAINT: DIAPHRAGM								
MATERIAL THICKNESS IS: 0.125"								
DO NOT SCALE DRAWING								



DDB FORM: 7.1-2-REV:K 08/02/17

ALUMASHIELD AND CEILING NOT SHOWN
OPTIONAL FEATURES SHOWN

UNLESS OTHERWISE SPECIFIED:		DDB Unlimited Inc.	
DIMENSIONS ARE IN INCHES		20D-50DD (CLOSED)	
ANGULAR: ±1°		DWG. WEB, 20D, 50, DD20D-50DD (CLOSED)	
FRACTIONAL NO DECIMAL: ±0.125		SIZE	Cage Code: DWG. NO.: REV
ONE PLACE DECIMAL: ±0.0625		D	385Y5 00964 C
TWO PLACE DECIMAL: ±0.03125		SCALE: 1:8 WEIGHT: 335 lbs. SHEET 2 OF 2	
THREE PLACE DECIMAL: ±0.015625			
ALL HOLES: ±0.0010			
MATERIAL: 5052-H32-0.125 ASTM B209-04			
PAINT: DIAMOND VOGEL, BEIGE GLOSS TEXTURE			
DO NOT SCALE DRAWING			

UNCLASSIFIED PUBLIC
 THE INFORMATION CONTAINED IN THIS DRAWING IS THE SOLE PROPERTY OF DDB Unlimited, INC. ANY REPRODUCTION IN PART OR AS A WHOLE WITHOUT THE WRITTEN PERMISSION OF DDB Unlimited, INC. IS PROHIBITED.