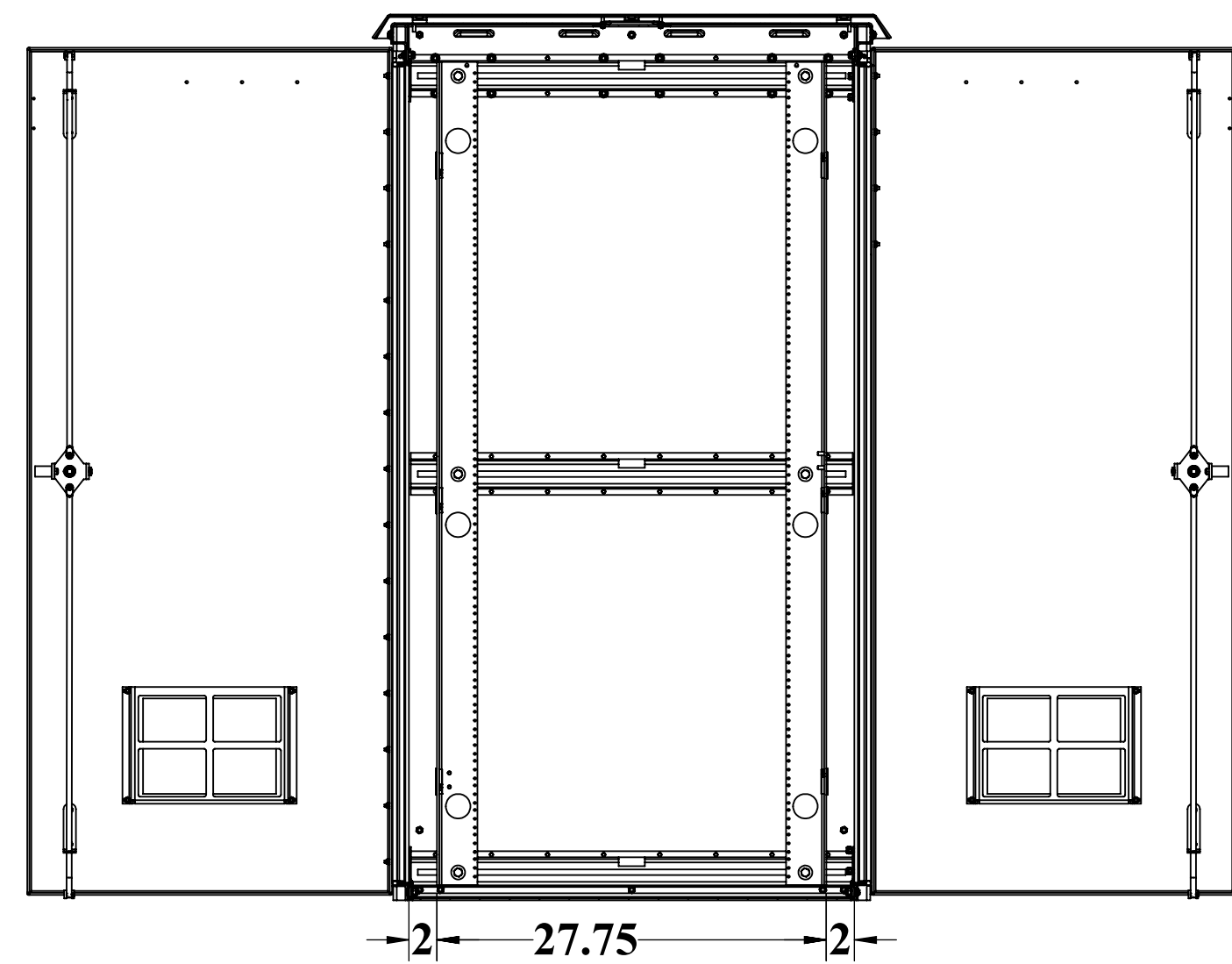
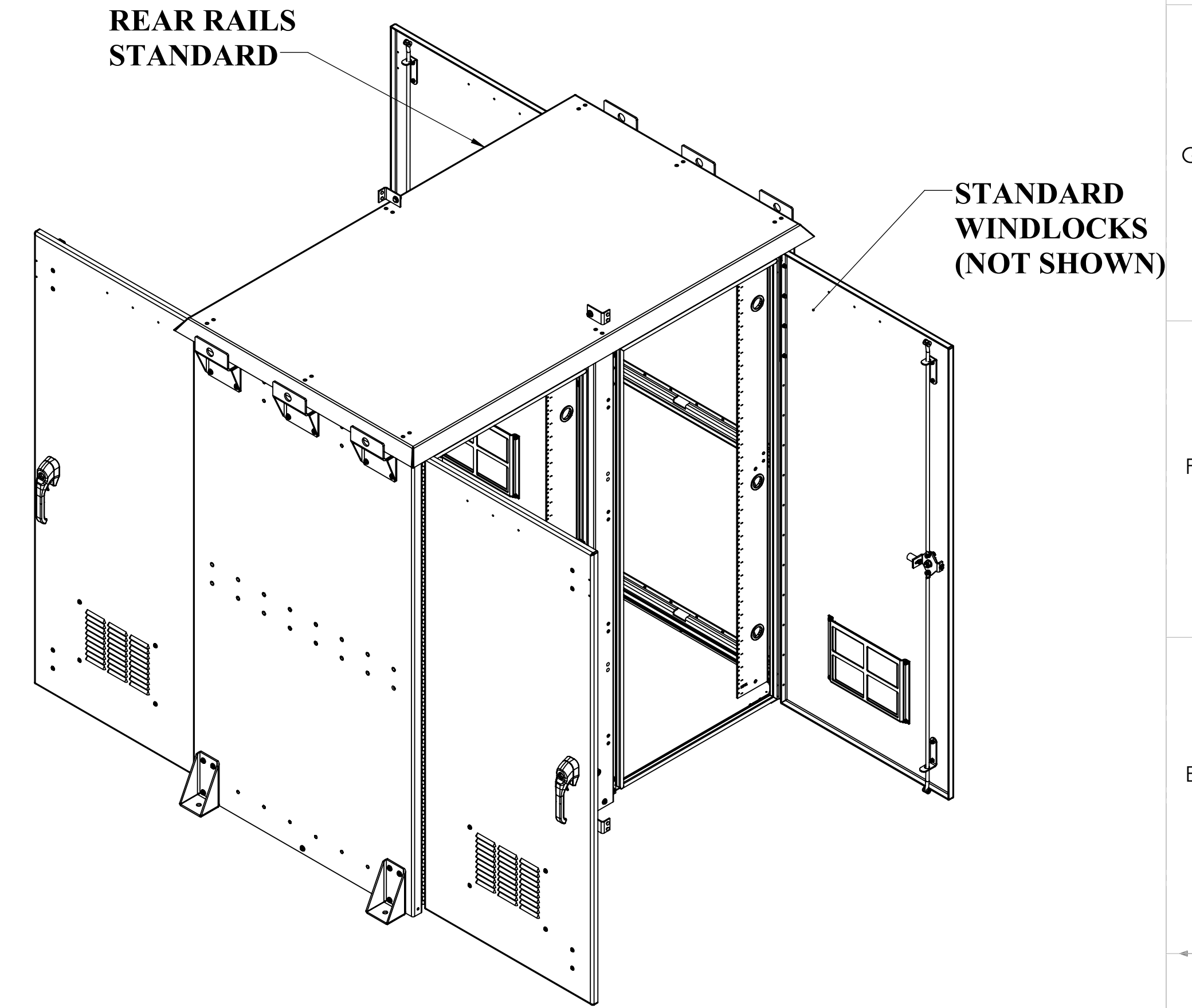
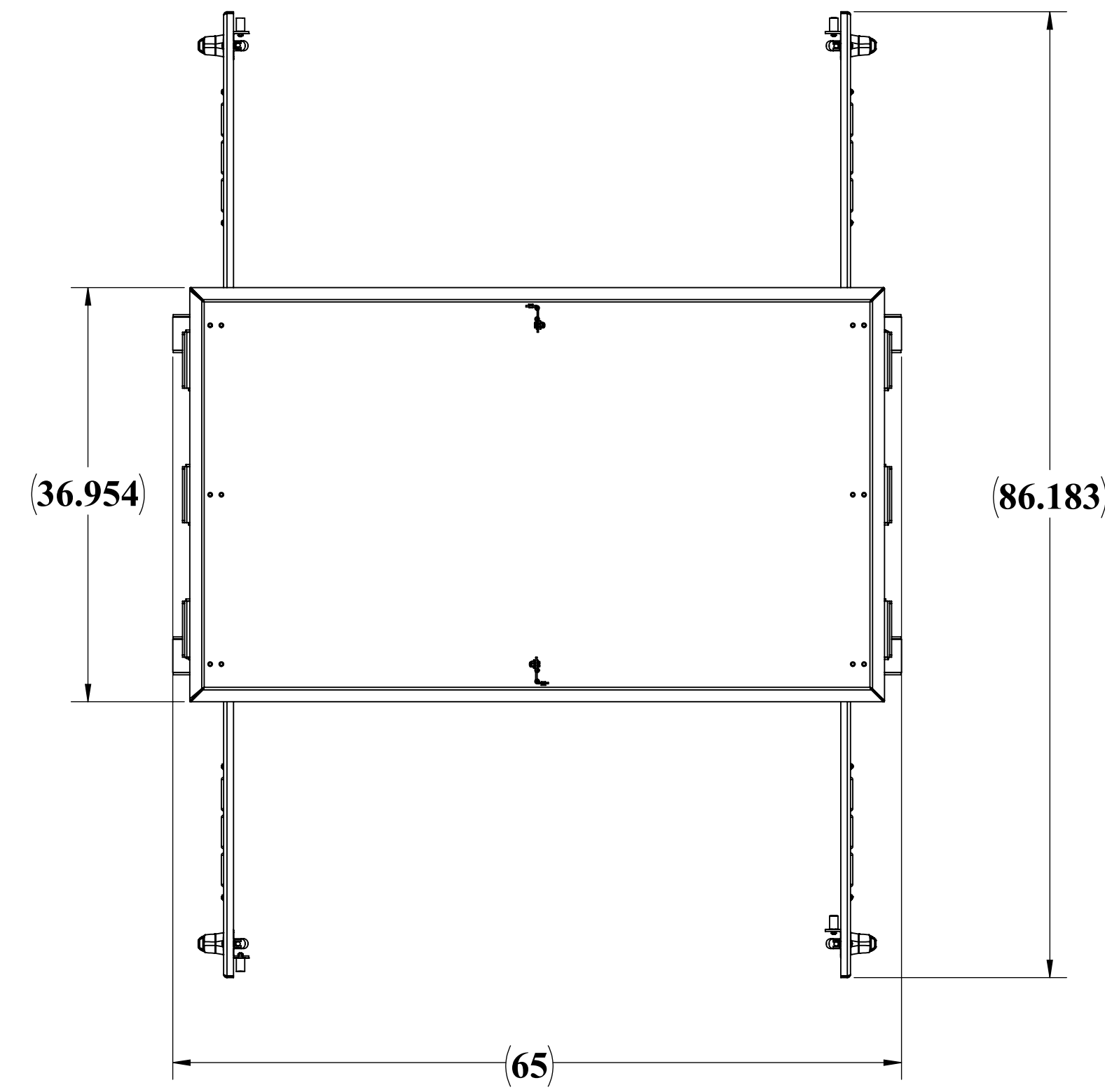
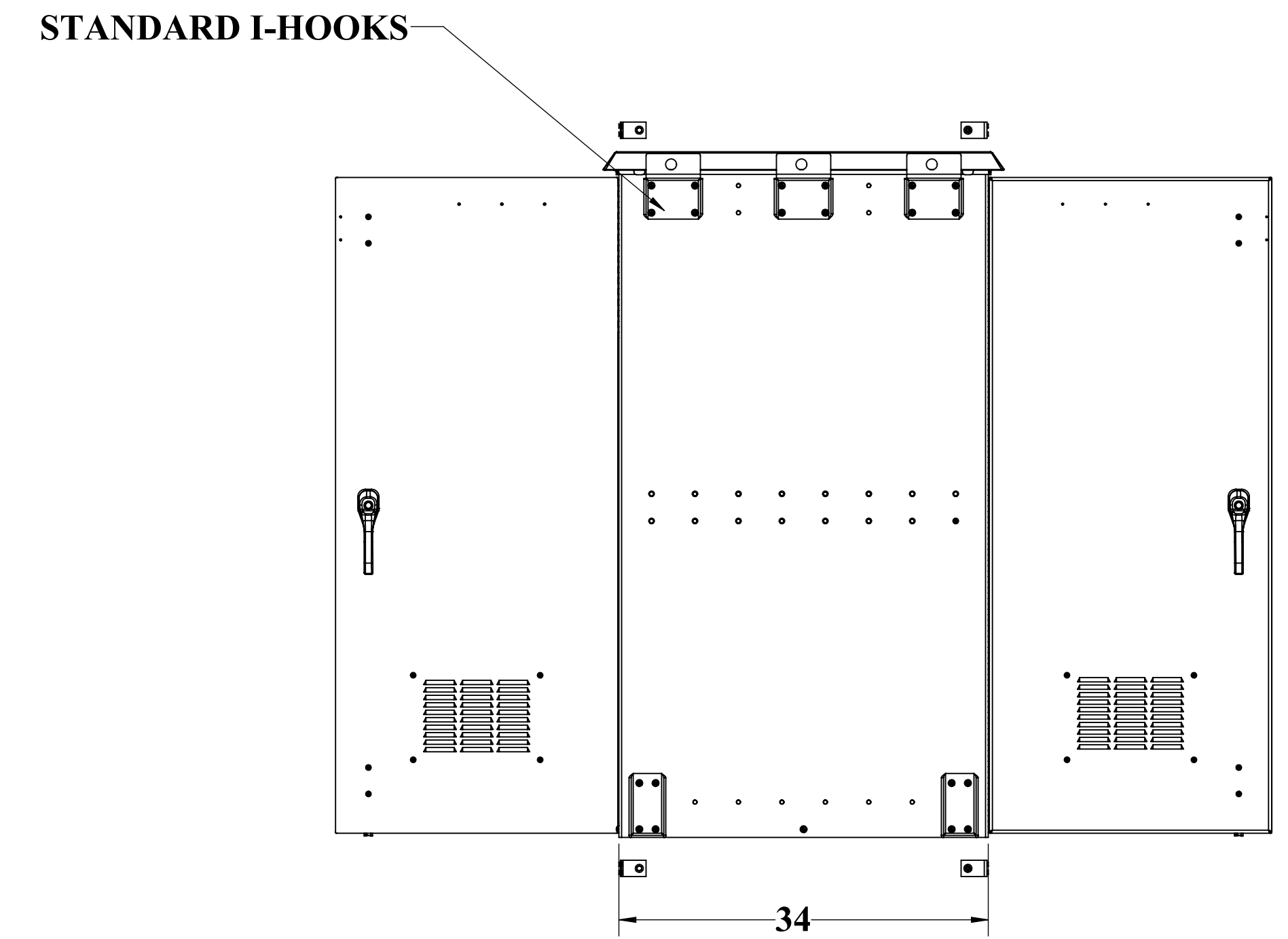
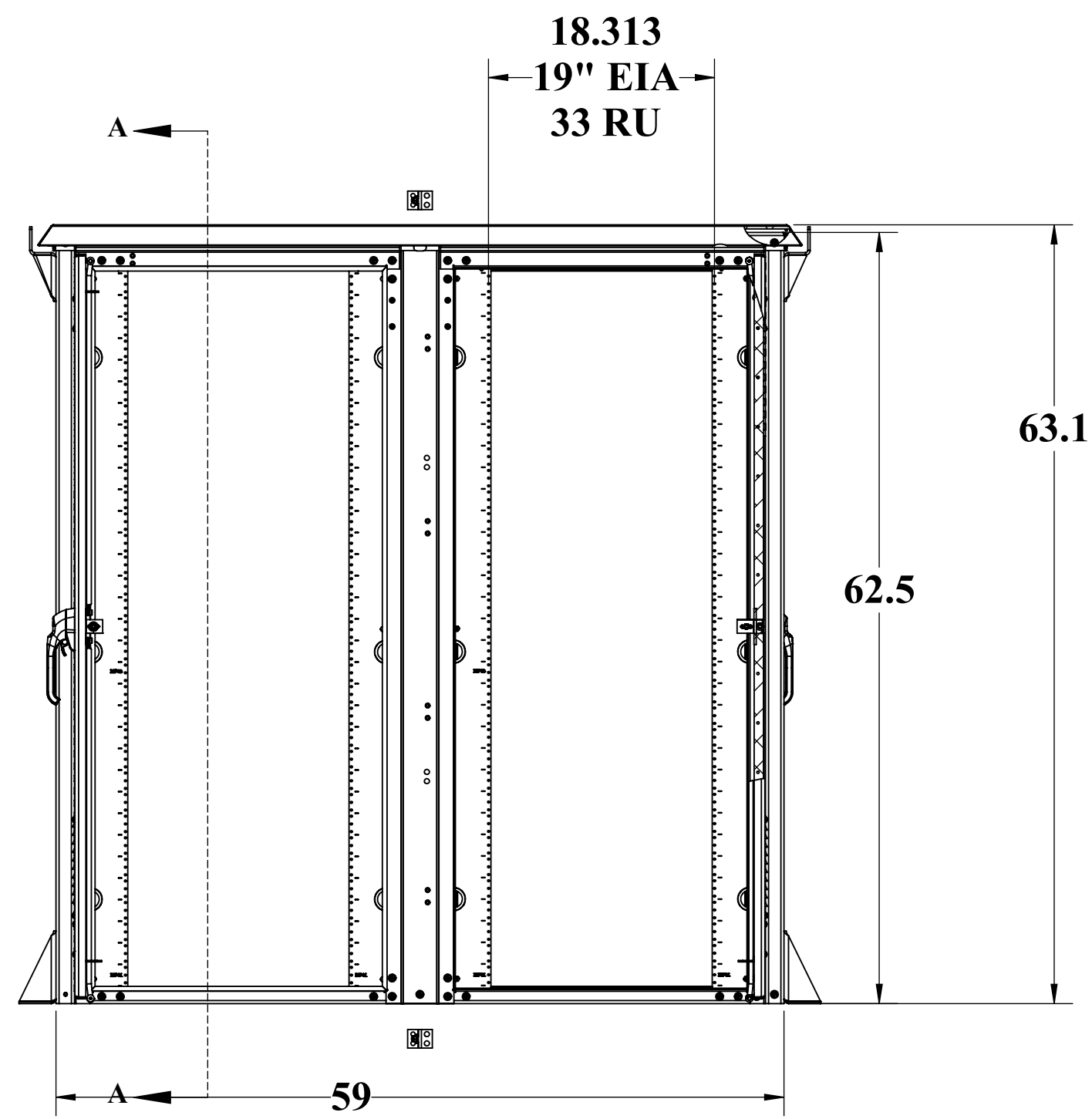


WEB DRAWING (NOT FOR FABRICATION)

REVISIONS		
REV.	DESCRIPTION	DATE
A	Initial Release per DR-00967	5/28/2014
B	UPDATED TO 2017 WEBSITE FORMAT	8/9/2017
C	NEW FORMAT	11/24/2020



SECTION A-A
SCALE 1 : 12

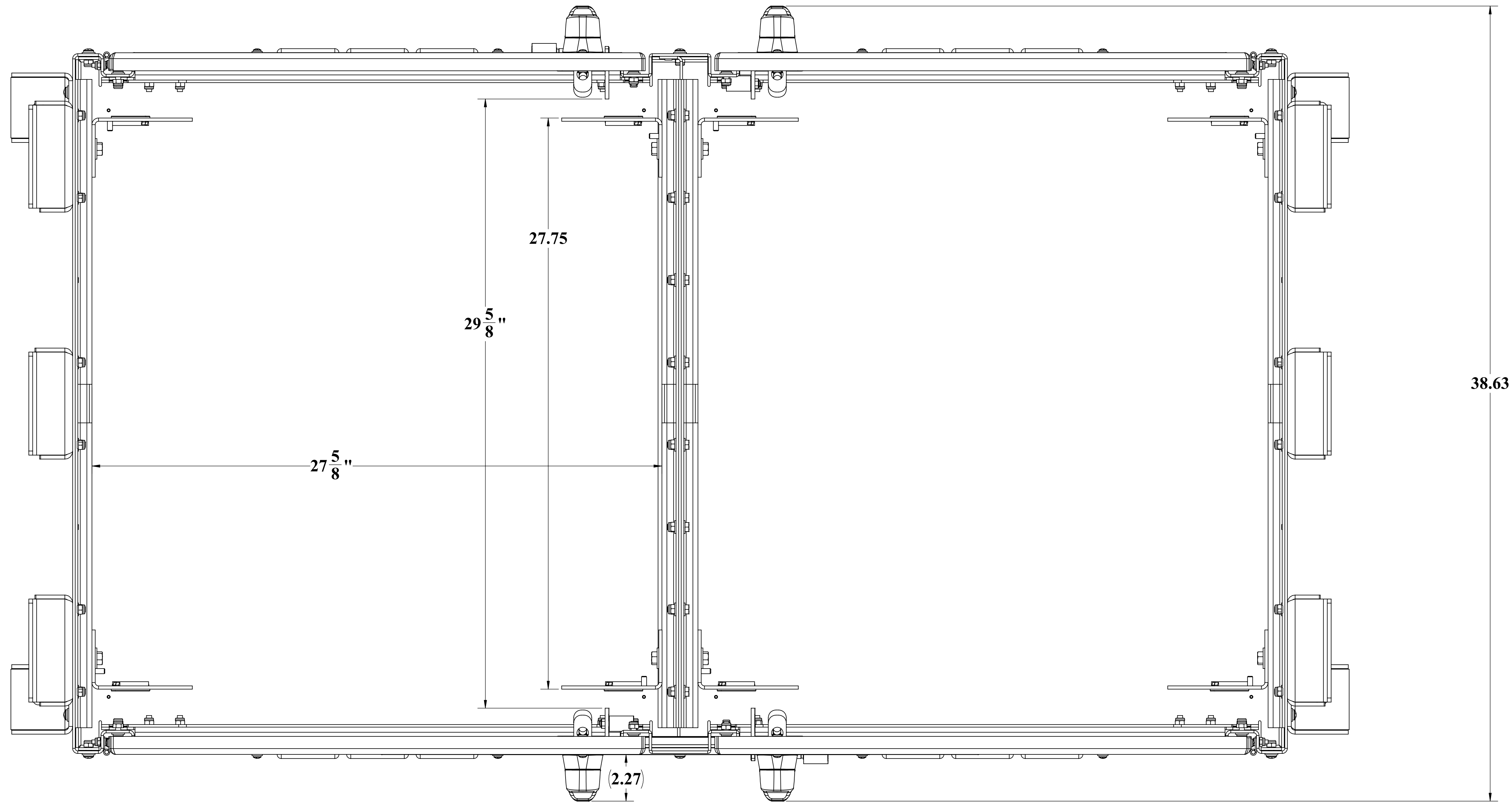


WEB DRAWING (NOT FOR FABRICATION)

UNLESS OTHERWISE SPECIFIED:		NAME	DATE	DDB Unlimited Inc.				
DIMENSIONS ARE IN INCHES		Model by:	DDB	8/9/2017	20D-XXXX			
ANGULAR:	21°	Drawn by:	gerone	08/11/17	DWG, WEB, 20D.62, DD			
FRACTIONAL/NO DECIMAL:	1/16	Sales Rep:	Rhyan Campbell		SIZE	Cage Code:	DWG. NO.:	REV
ONE PLACE DECIMAL:	0.0005	Q.A. Appr.:	roy	11/25/20	D	385Y5	00967	C
TWO PLACE DECIMAL:	0.0001	Prod.Mgr.:	ClarkK	11/25/20	SCALE: 1:8	WEIGHT: 390 lbs.		SHEET 1 OF 3
THREE PLACE DECIMAL:	0.00005							
ALL HOLES: 45° MIN								
MATERIAL: 5052-H32-0.125 ASTM B209-04								
PAINT: BAKKON VOGEL BIDGE GLOSS TEXTURE ET-4208								
DO NOT SCALE DRAWING								

8 7 6 5 4 3 2 1

H G F E D C B A



ALUMASHIELD AND CEILING NOT SHOWN

UNLESS OTHERWISE SPECIFIED:		DDB Unlimited Inc.	
DIMENSIONS ARE IN INCHES		20D-30DD (CLOSED)	
ANCHOR:		DWG. WEB, 20D, 30, DD20D-30DD (CLOSED)	
FRACTIONAL NO DECIMAL: ±.0125		SIZE	Cage Code: DWG. NO.: REV
ONE PLACE DECIMAL: ±.00625		D	385Y5 00967 C
TWO PLACE DECIMAL: ±.003125		SCALE: 1:8 WEIGHT: 250 lbs. SHEET 2 OF 3	
THREE PLACE DECIMAL: ±.0015625			
ALL HOLES: ±.003125			
MATERIAL: 5052-H32-O.125 ASTM B209-04			
PAINT: DIAMOND VOGEL, BEIGE GLOSS TEXTURE			
DO NOT SCALE DRAWING			

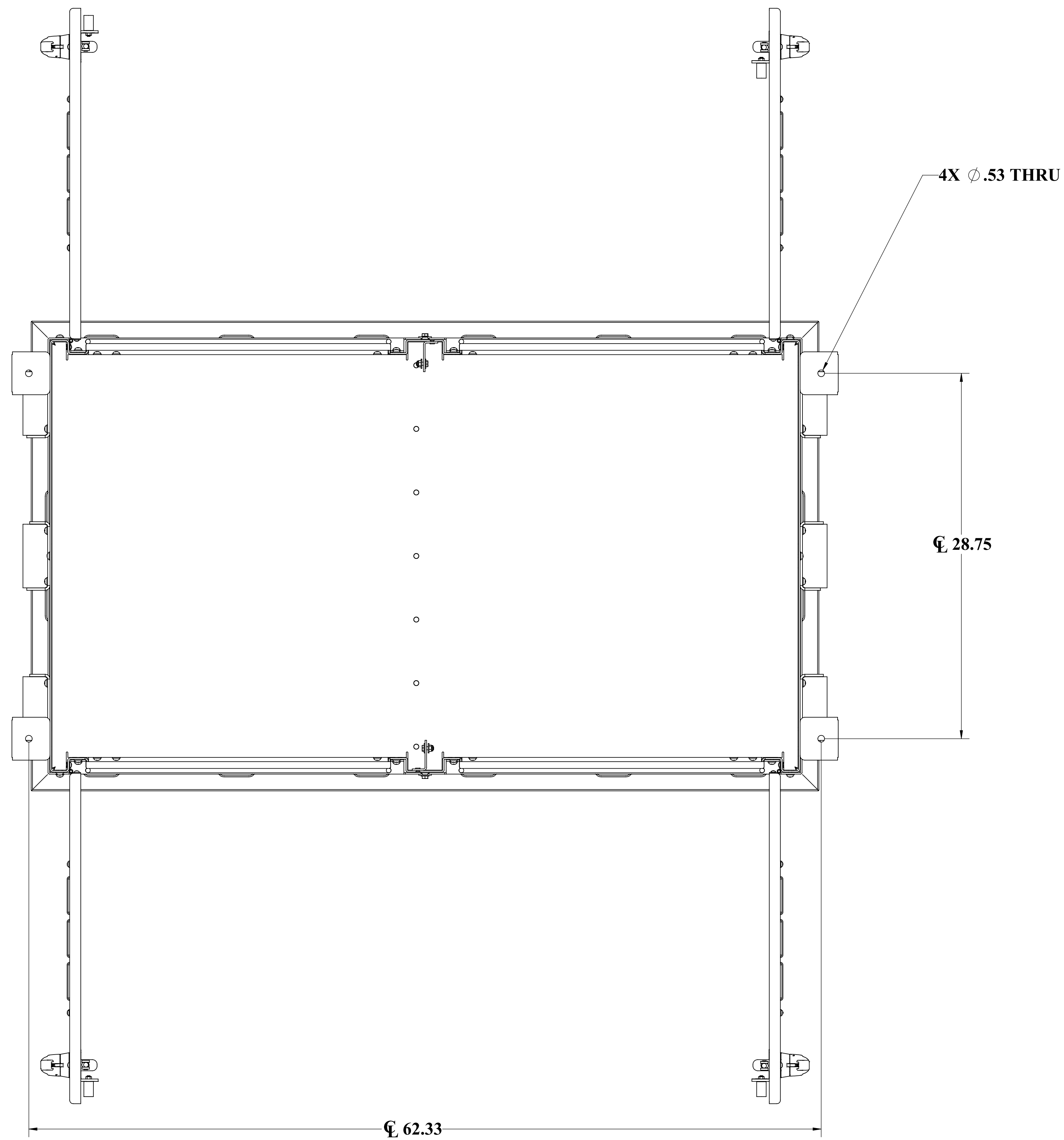
UNCLASSIFIED PUBLIC THE INFORMATION CONTAINED IN THIS DRAWING IS THE SOLE PROPERTY OF DDB Unlimited, INC. ANY REPRODUCTION IN PART OR AS A whole WITHOUT THE WRITTEN PERMISSION OF DDB Unlimited, INC. IS PROHIBITED.

DDB FORM: 7.1-2-REV:K 08/02/17

8 7 6 5 4 3 2 1

H
G
F
E
D
C
B
A

H
G
F
E
D
C
B
A



MOUNTING LOCATIONS

UNLESS OTHERWISE SPECIFIED:		DDB Unlimited Inc.	
DIMENSIONS ARE IN INCHES		20D-62DD	
ANGULAR: ±1°		DWG. WEB, 20D, 62, DD20D-62DD	
FRACTIONAL NO DECIMAL: ±0.125		SIZE	Cage Code: DWG. NO.: REV
ONE PLACE DECIMAL: ±0.0625		D	385Y5 00967 C
TWO PLACE DECIMAL: ±0.03125		SCALE: 1:8 WEIGHT: 390 lbs. SHEET 3 OF 3	
THREE PLACE DECIMAL: ±0.015625			
ALL HOLES: ±0.0031			
MATERIAL: 5052-H32-O.125 ASTM B209-04			
PAINT: DIAMOND VOGEL, BEIGE GLOSS TEXTURE			
DO NOT SCALE DRAWING			

UNCLASSIFIED PUBLIC
THE INFORMATION CONTAINED IN THIS DRAWING IS THE SOLE PROPERTY OF DDB Unlimited, INC. ANY REPRODUCTION IN PART OR AS A WHOLE WITHOUT THE WRITTEN PERMISSION OF DDB Unlimited, INC. IS PROHIBITED.

DDB FORM: 7.1-2-REV:K 08/02/17