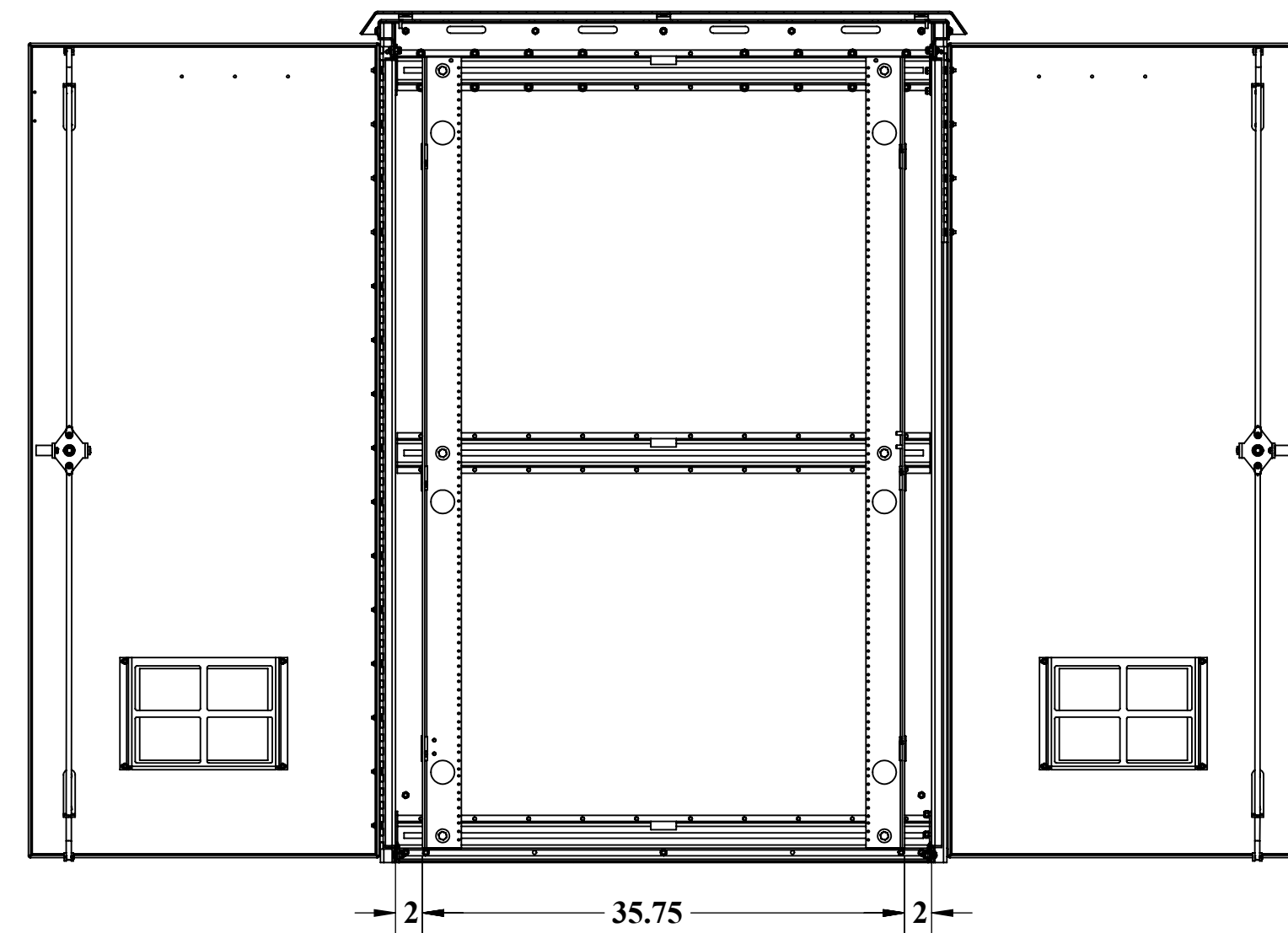
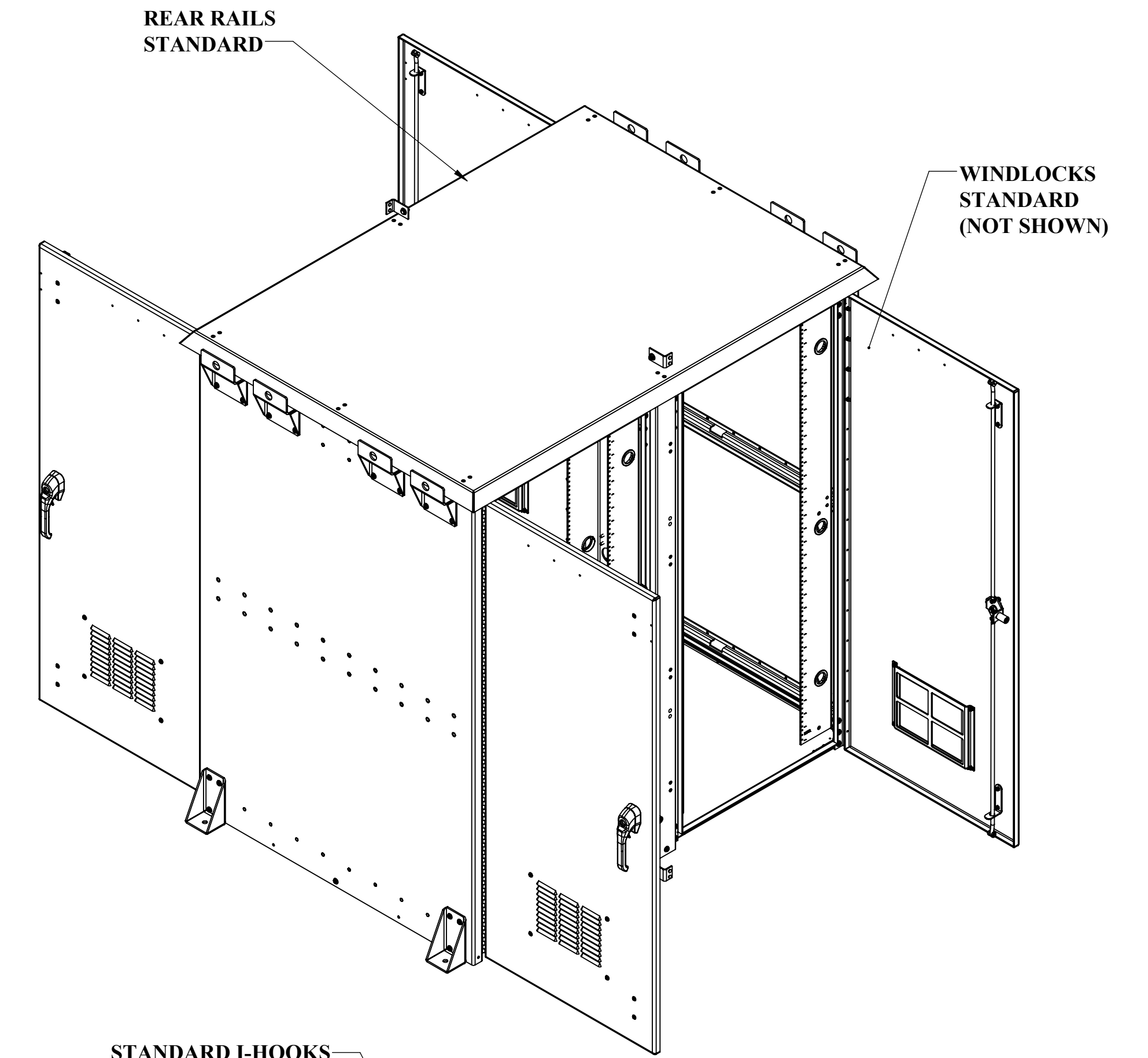
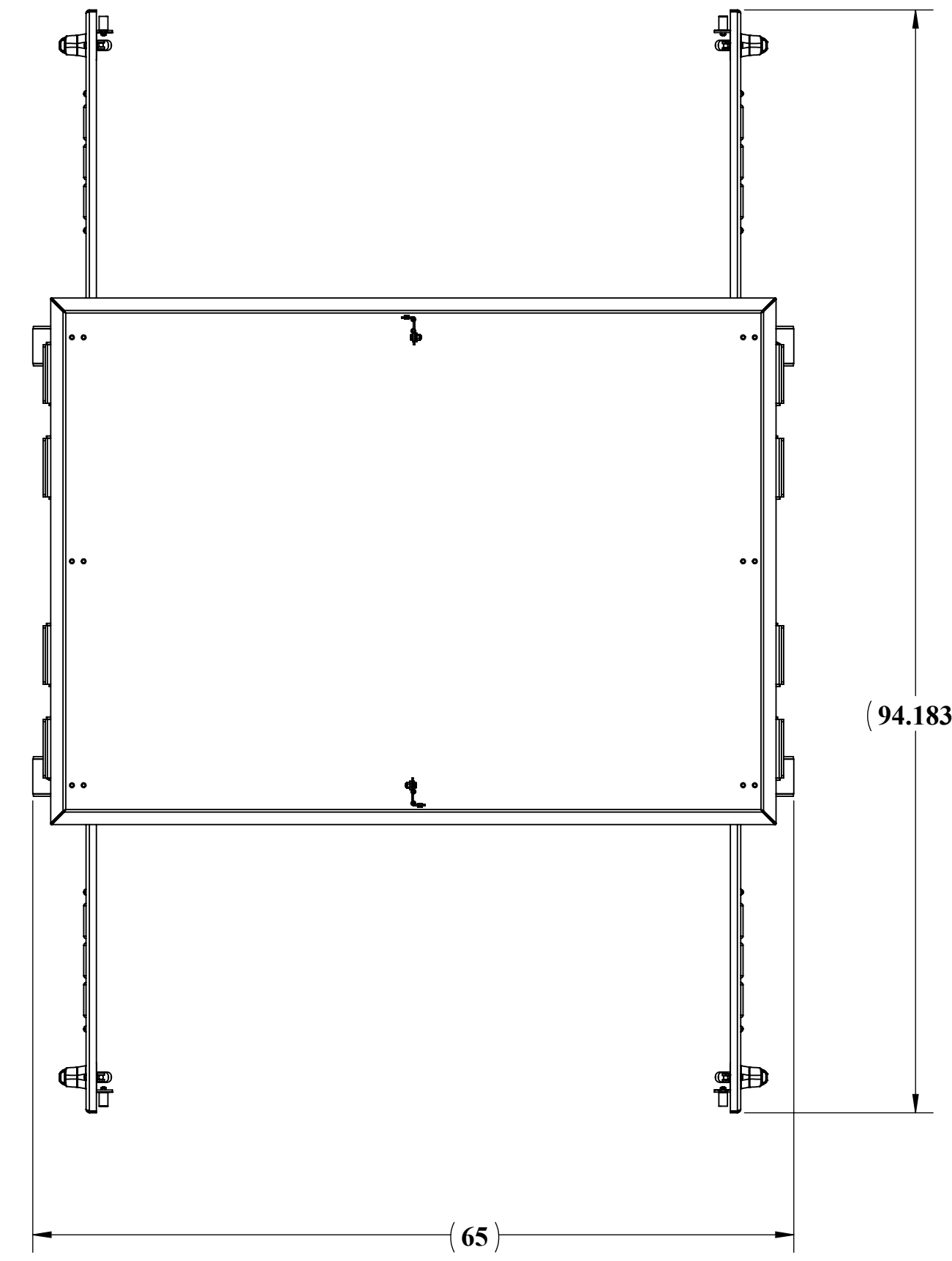
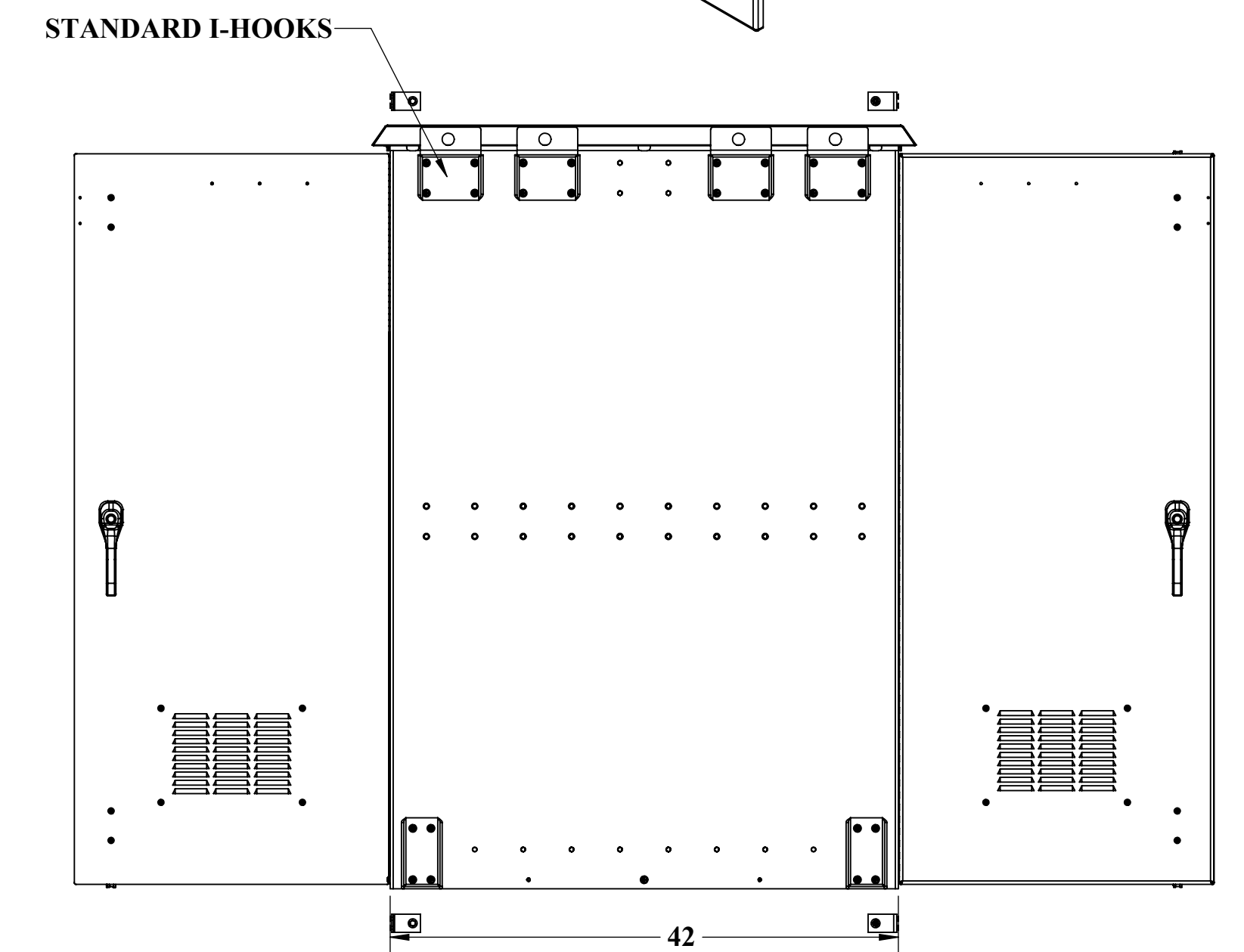
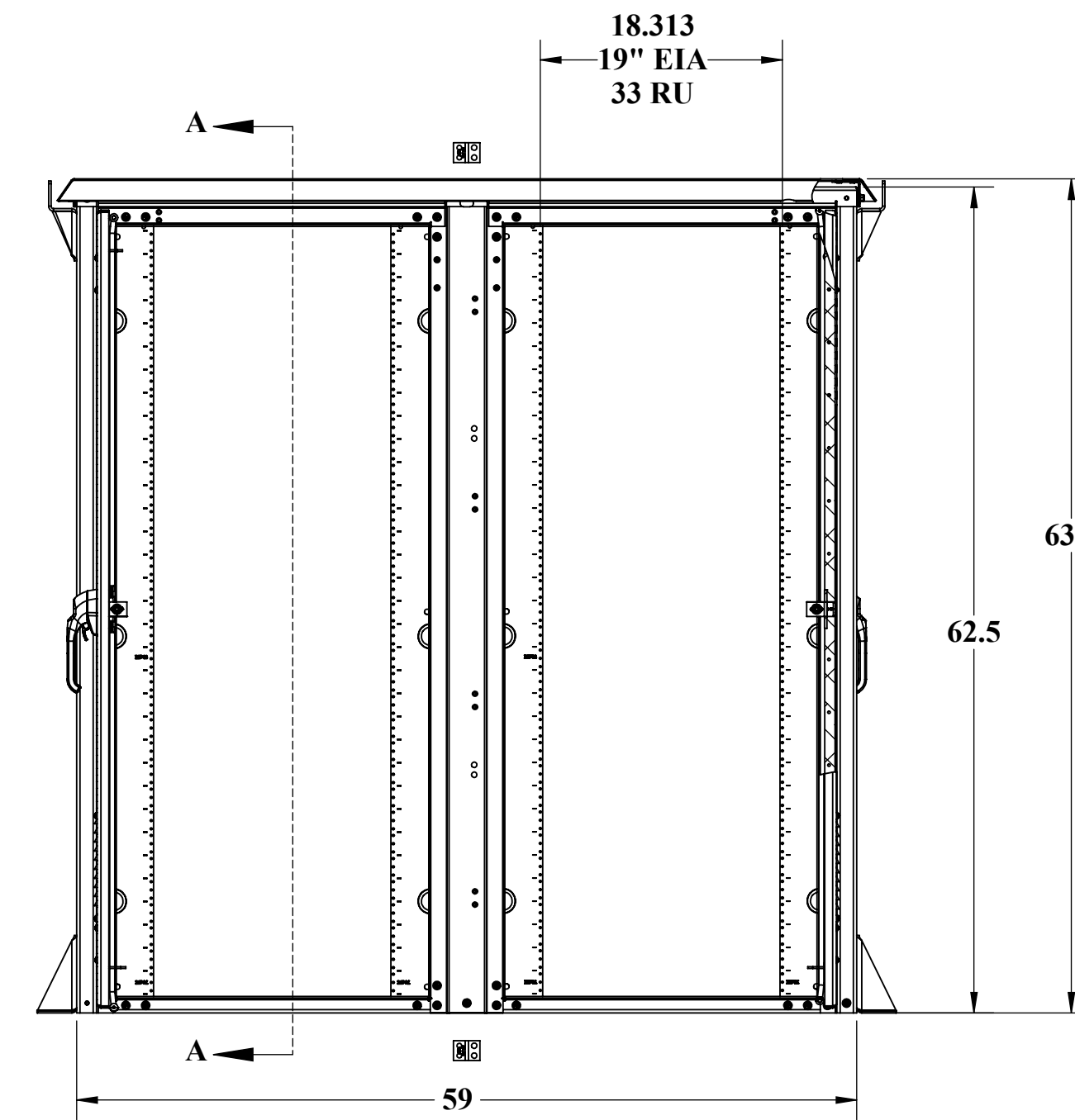


WEB DRAWING (NOT FOR FABRICATION)

REVISIONS		
REV.	DESCRIPTION	DATE
A	Initial Release per DR-00968	5/28/2014
B	UPDATE TO NEW FORMAT	11/24/2020



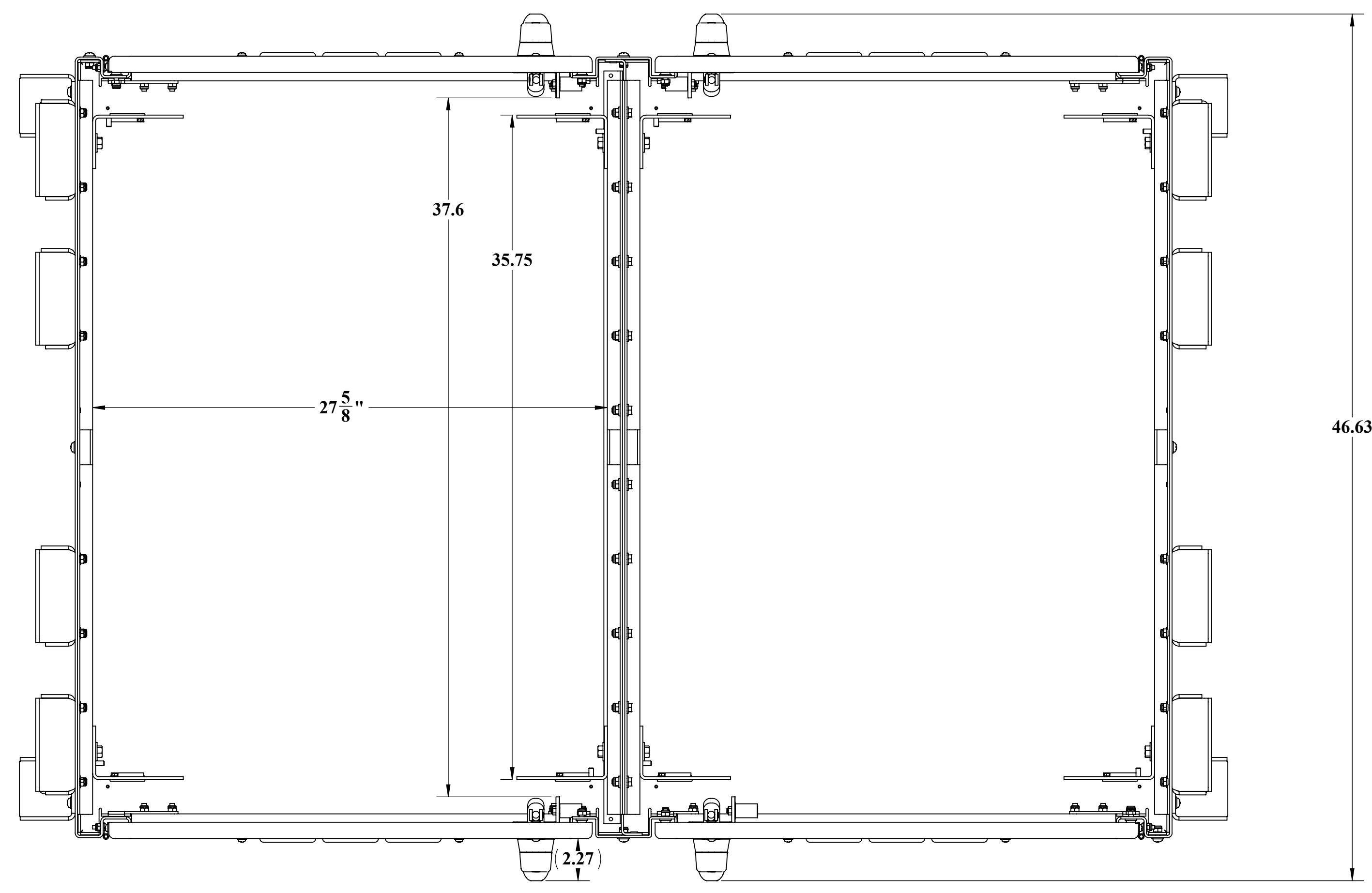
SECTION A-A  
SCALE 1 : 12



WEB DRAWING (NOT FOR FABRICATION)

UNLESS OTHERWISE SPECIFIED:		NAME	DATE	DDB Unlimited Inc.				
DIMENSIONS ARE IN INCHES		Model by:	DDB	6/4/2014	20D-XXXX			
ANGULAR:	±1°	Drawn by:	EdwardW	06/04/14	DWG, WEB, 20D, 62, DDX			
FRACTIONAL/NO DECIMAL:	±0.1250	Sales.Rep.:	toy	11/25/20	SIZE	Cage Code:	DWG. NO.:	REV
ONE PLACE DECIMAL:	±0.0625	Q.A.Appr.:	ClarkK	11/25/20	D	385Y5	00968	B
TWO PLACE DECIMAL:	±0.0313	Prod.Mgr.:	ClarkK	11/25/20	SCALE: 1:8	WEIGHT: 419 lbs.	SHEET 1 OF 3	
THREE PLACE DECIMAL:	±0.0156	Control Number:						
ALL HOLES: ±0.0010								
MATERIAL: 5052-H32-0.125 ASTM B209-04								
PAINT: BRANSON VOGEL BRIDGE GLOSS TEXTURE ET-4028								
DO NOT SCALE DRAWING								

WEB DRAWING (NOT FOR FABRICATION)



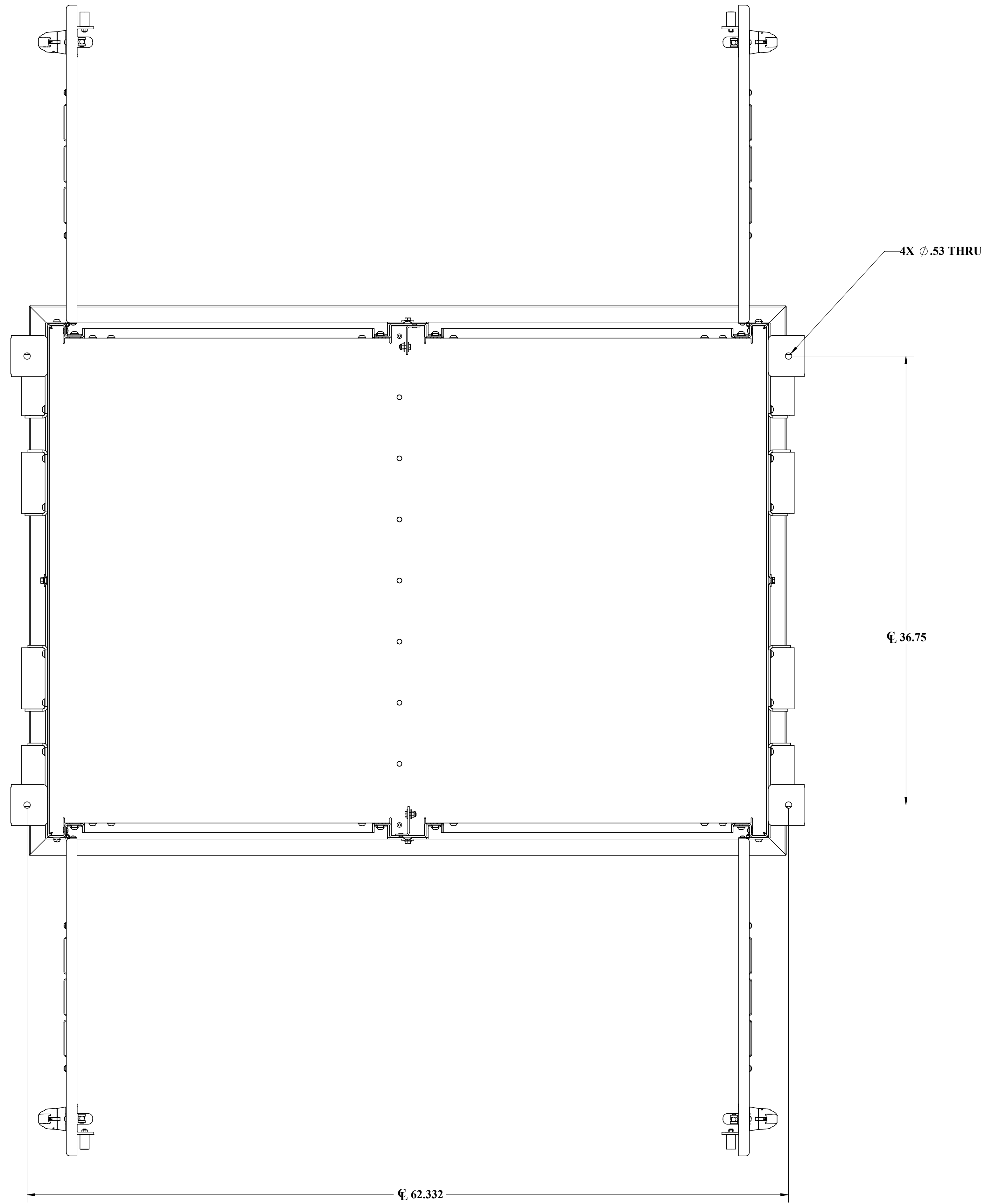
TOP VIEW CEILING AND SOLAR SHIELD NOT SHOWN

WEB DRAWING (NOT FOR FABRICATION)

UNLESS OTHERWISE SPECIFIED:		NAME	DATE	<b>DDB Unlimited Inc.</b>			
DIMENSIONS ARE IN INCHES				20D-XXXX			
ANGULAR:	±1°	Model by:	DDR	DWG, WEB, 20D, 30, DDX			
FRACTIONAL/NO DECIMAL:	±0.1250	Drawn by:	EdwardW				
ONE PLACE DECIMAL:	±0.0625	Sales.Rep.:		SIZE	Cage Code:	DWG. NO.:	REV
TWO PLACE DECIMAL:	±0.03125	Q.A.Appr.:	tray	D	385Y5	00968	B
THREE PLACE DECIMAL:	±0.015625	Prod.Mgr.:	ClarkK	SCALE: 1:8	WEIGHT: 281 lbs.	SHEET 2 OF 3	
ALL HOLES: ±0.0000		Control Number:					
MATERIAL: 5052-H32-0.125 ASTM B209-04							
PAINT: DIAMOND VOGEL, BEIGE GLOSS TEXTURE ET-4308							
DO NOT SCALE DRAWING							

UNCLASSIFIED PUBLIC

WEB DRAWING (NOT FOR FABRICATION)



BOTTOM VIEW SHOWN MOUNTING LOCATIONS

WEB DRAWING (NOT FOR FABRICATION)

UNLESS OTHERWISE SPECIFIED:		NAME	DATE	<b>DDB Unlimited Inc.</b>			
DIMENSIONS ARE IN INCHES		Model by:	DDB	20D-XXXX			
ANGULAR:	±1°	Drawn by:	EdwardW	DWG, WEB, 20D, 62, DDX			
FRACTIONAL/NO DECIMAL:	±0.1250	Sales.Rep.:		SIZE	Cage Code:	DWG. NO.:	REV
ONE PLACE DECIMAL:	±0.0625	Q.A.Appr.:	tray	D	385Y5	00968	B
TWO PLACE DECIMAL:	±0.03125	Prod.Mgr.:	ClarkK	SCALE: 1:8	WEIGHT: 419 lbs.	SHEET 3 OF 3	
THREE PLACE DECIMAL:	±0.015625	Control Number:					
ALL HOLES: ±0.0010							
MATERIAL: 5052-H32-0.125 ASTM B209-04	MATERIAL THICKNESS IS: 0.125"						
PAINT: DIAMOND VOGEL, BUGE GLOSS TEXTURE ET-4028							
<b>DO NOT SCALE DRAWING</b>							

UNCLASSIFIED PUBLIC