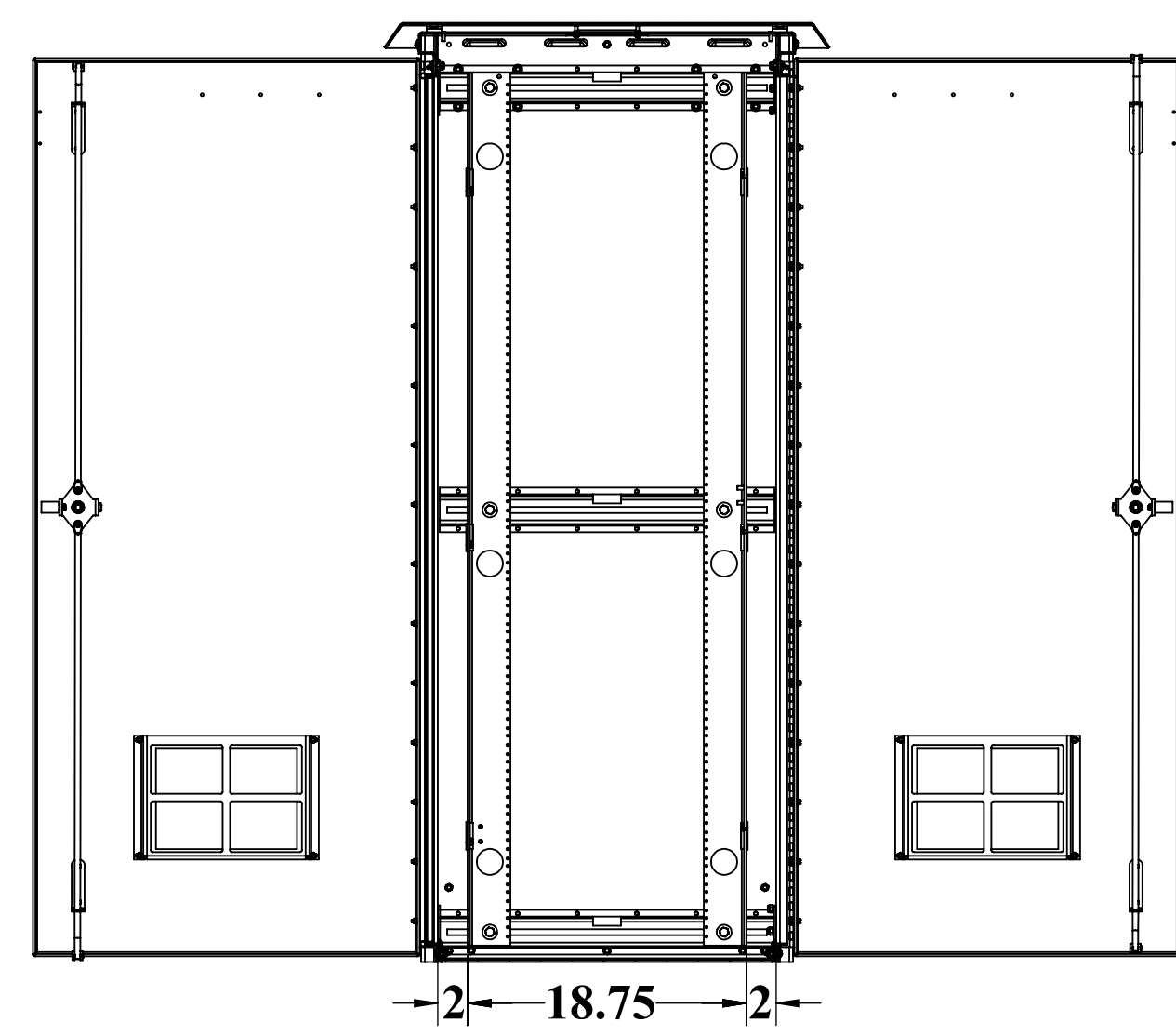
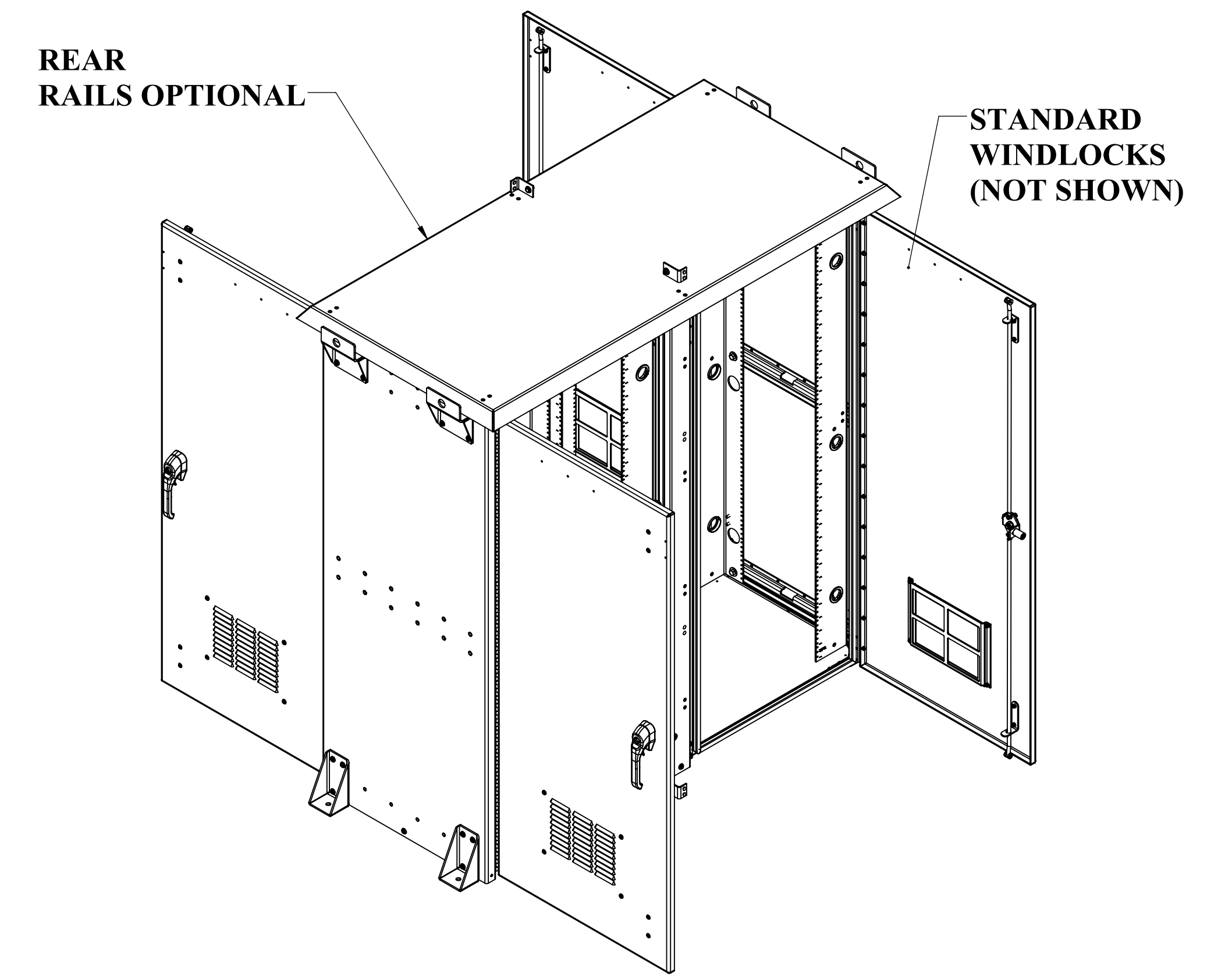
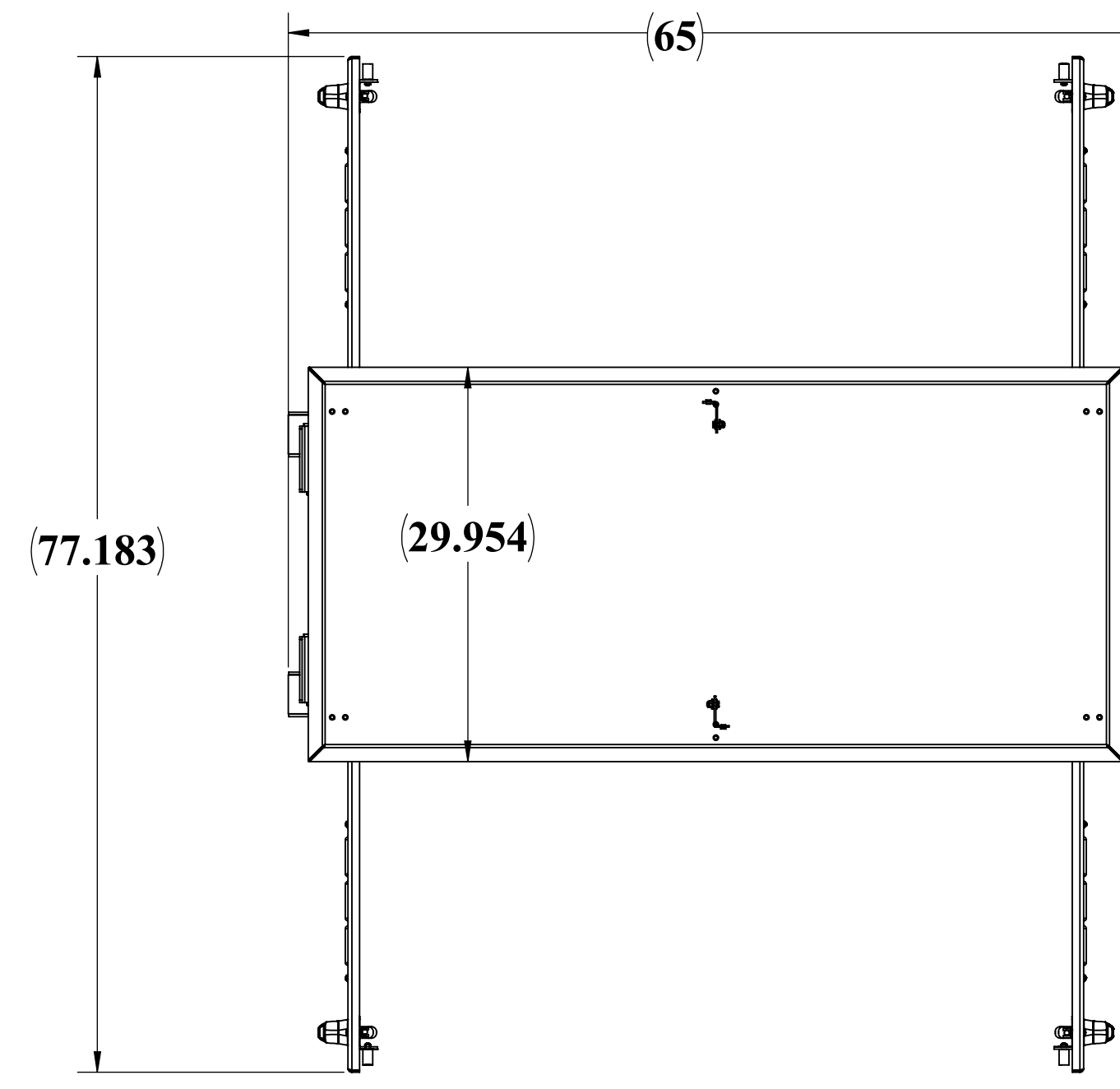
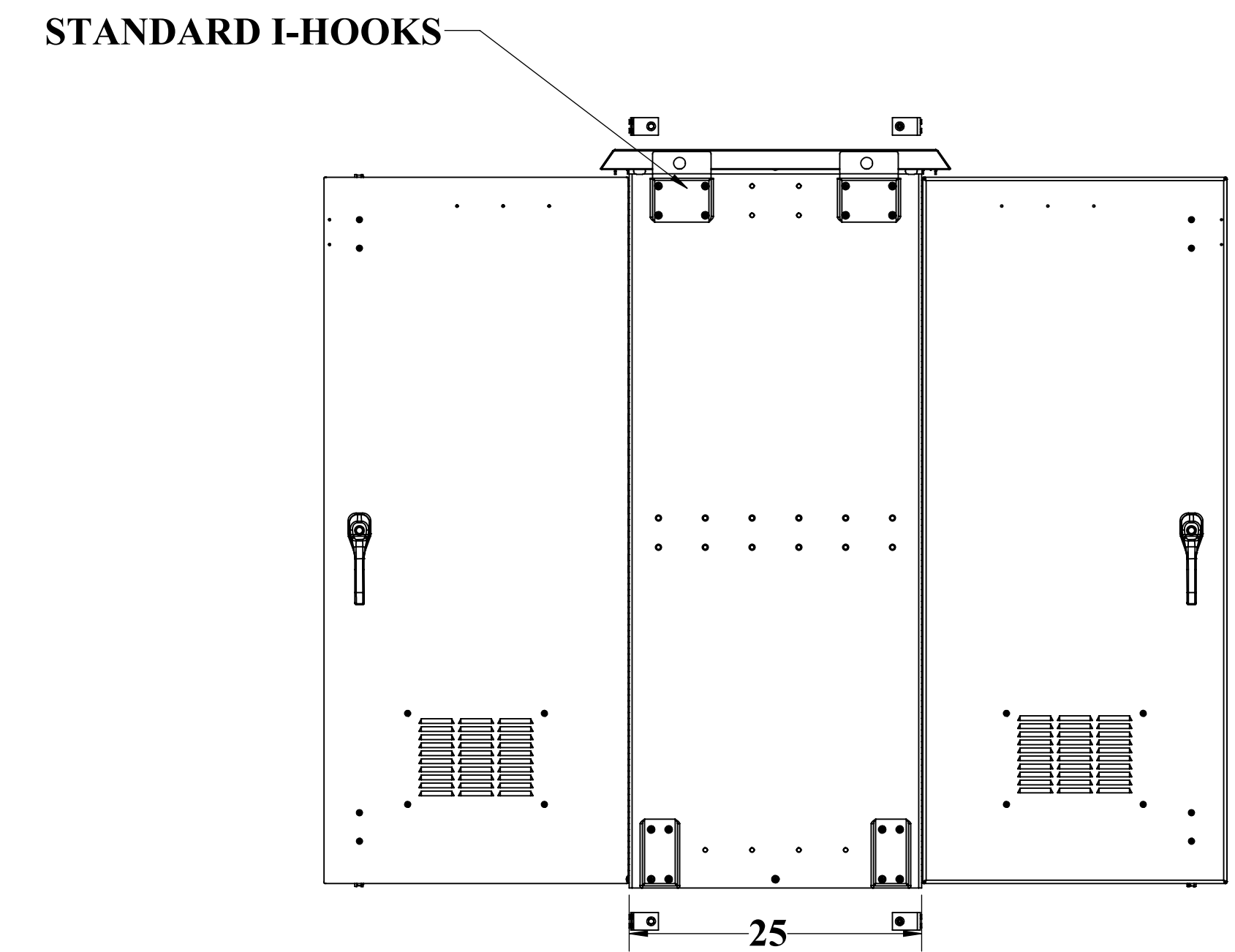
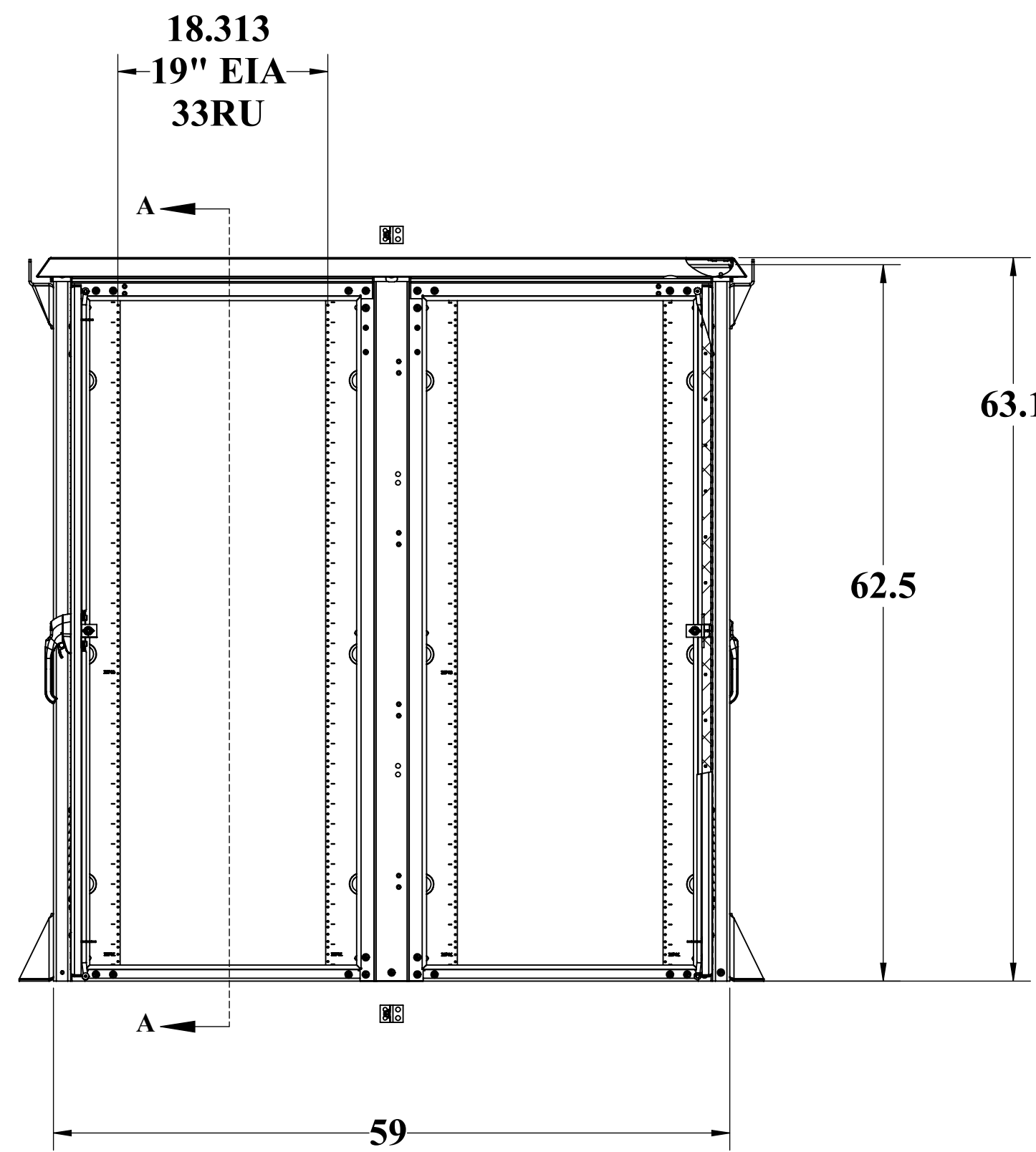


WEB DRAWING (NOT FOR FABRICATION)

REVISIONS		
REV.	DESCRIPTION	DATE
A	Initial Release per DR-00966	5/28/2014
B	UPDATED TO 2017 WEBSITE FORMAT	8/9/2017
C	UPDAED FORMAT	11/24/2020



SECTION A-A
SCALE 1 : 12



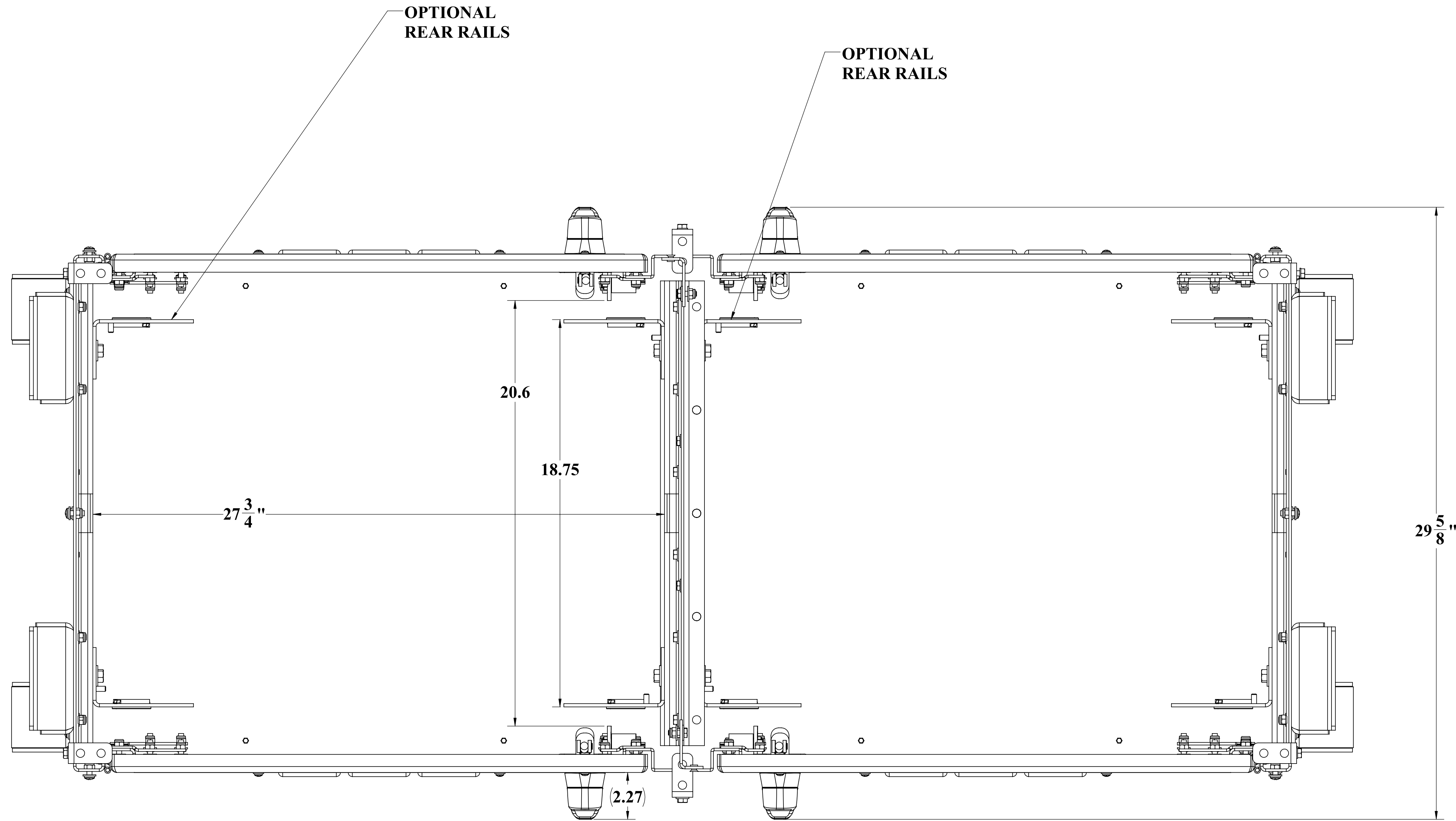
WEB DRAWING (NOT FOR FABRICATION)

UNLESS OTHERWISE SPECIFIED:		NAME	DATE	DDB Unlimited Inc.				
DIMENSIONS ARE IN INCHES		Model by:	DDR	8/9/2017	20D-XXXX			
ANGULAR:	±1°	Drawn by:	MarvinS	08/14/17	DWG, WEB, 20D, 62, DX			
FRACTIONAL/NO DECIMAL:	±0.1250	Sales.Rep:	Juan Campbell		SIZE	Cage Code:	DWG. NO.:	REV
ONE PLACE DECIMAL:	±0.0625	Q.A. Appr.:	roy	11/24/20	D	385Y5	00966	C
TWO PLACE DECIMAL:	±0.0313	Prod.Mgr.:	ClarkK	11/24/20	SCALE: 1:8	WEIGHT: 347 lbs.	SHEET 1 OF 3	
THREE PLACE DECIMAL:	±0.0156	Control Number:						
ALL HOLES: ±0.0015"								
MATERIAL: 5052-H32-0.125 ASTM B209-04								
PAINT: BAMBOP VOGEL, BEIGE GLOSS TEXTURE ET-428								
MATERIAL THICKNESS IS: 0.125"								
DO NOT SCALE DRAWING								

8 7 6 5 4 3 2 1

H
G
F
E
D
C
B
A

H
G
F
E
D
C
B
A



ALUMASHILD AND CEILING NOT SHOWN

UNLESS OTHERWISE SPECIFIED:		DDB Unlimited Inc.	
DIMENSIONS ARE IN INCHES		20D-62DX (CLOSED)	
ANGULAR: ±1°		DWG. WEB, 20D, 62, DX20D-62DX (CLOSED)	
FRACTIONAL NO DECIMAL: ±0.125		SIZE	Cage Code: DWG. NO.: REV
ONE PLACE DECIMAL: ±0.0625		D	385Y5 00966 C
TWO PLACE DECIMAL: ±0.03125		SCALE: 1:8 WEIGHT: 347 lbs. SHEET 2 OF 3	
THREE PLACE DECIMAL: ±0.015625			
ALL HOLES: ±0.0031			
MATERIAL: 5052-H32-0.125 ASTM B209-04			
PAINT: DIAMOND VOGEL, BEIGE GLOSS TEXTURE			
DO NOT SCALE DRAWING			

UNCLASSIFIED PUBLIC
THE INFORMATION CONTAINED IN THIS DRAWING IS THE SOLE PROPERTY OF DDB Unlimited, INC. ANY REPRODUCTION IN PART OR AS A WHOLE WITHOUT THE WRITTEN PERMISSION OF DDB Unlimited, INC. IS PROHIBITED.

DDB FORM: 7.1-2-REV:K 08/02/17

8

7

6

5

4

3

2

1

H

G

F

E

D

C

B

A

H

G

F

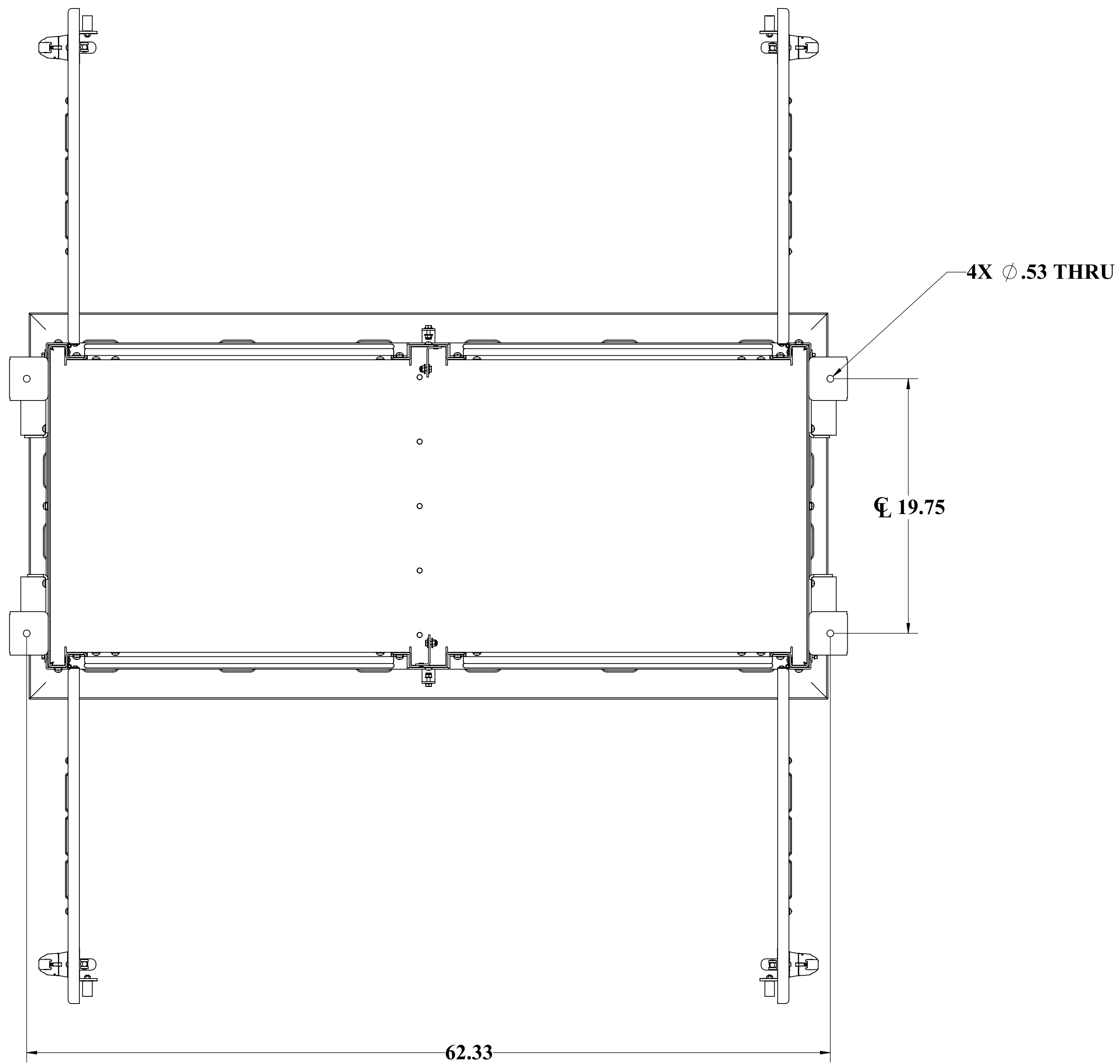
E

D

C

B

A



BOTTOM VIEW MOUNTING HOLES

UNLESS OTHERWISE SPECIFIED:		DDB Unlimited Inc.	
DIMENSIONS ARE IN INCHES		20D-62DX	
ANGULAR: ±1°		DWG. WEB, 20D, 62, DX20D-62DX	
FRAC TIONAL NO DECIMAL: ±0.1250	ONE PLACE DECIMAL: ±0.0625	SIZE	Cage Code: DWG. NO.: REV
TWO PLACE DECIMAL: ±0.0310	THREE PLACE DECIMAL: ±0.0150	D	385Y5 00966 C
MATERIAL: 5052-H32-O.125 ASTM B209-04		SCALE: 1:8 WEIGHT: 347 lbs. SHEET 3 OF 3	
PAINT: DIAMOND VOGEL, BEIGE GLOSS TEXTURE		DO NOT SCALE DRAWING	

UNCLASSIFIED PUBLIC
THE INFORMATION CONTAINED IN THIS DRAWING IS THE SOLE PROPERTY OF DDB Unlimited, INC. ANY REPRODUCTION IN PART OR AS A WHOLE WITHOUT THE WRITTEN PERMISSION OF DDB Unlimited, INC. IS PROHIBITED.

DDB FORM: 7.1-2-REV:K 08/02/17