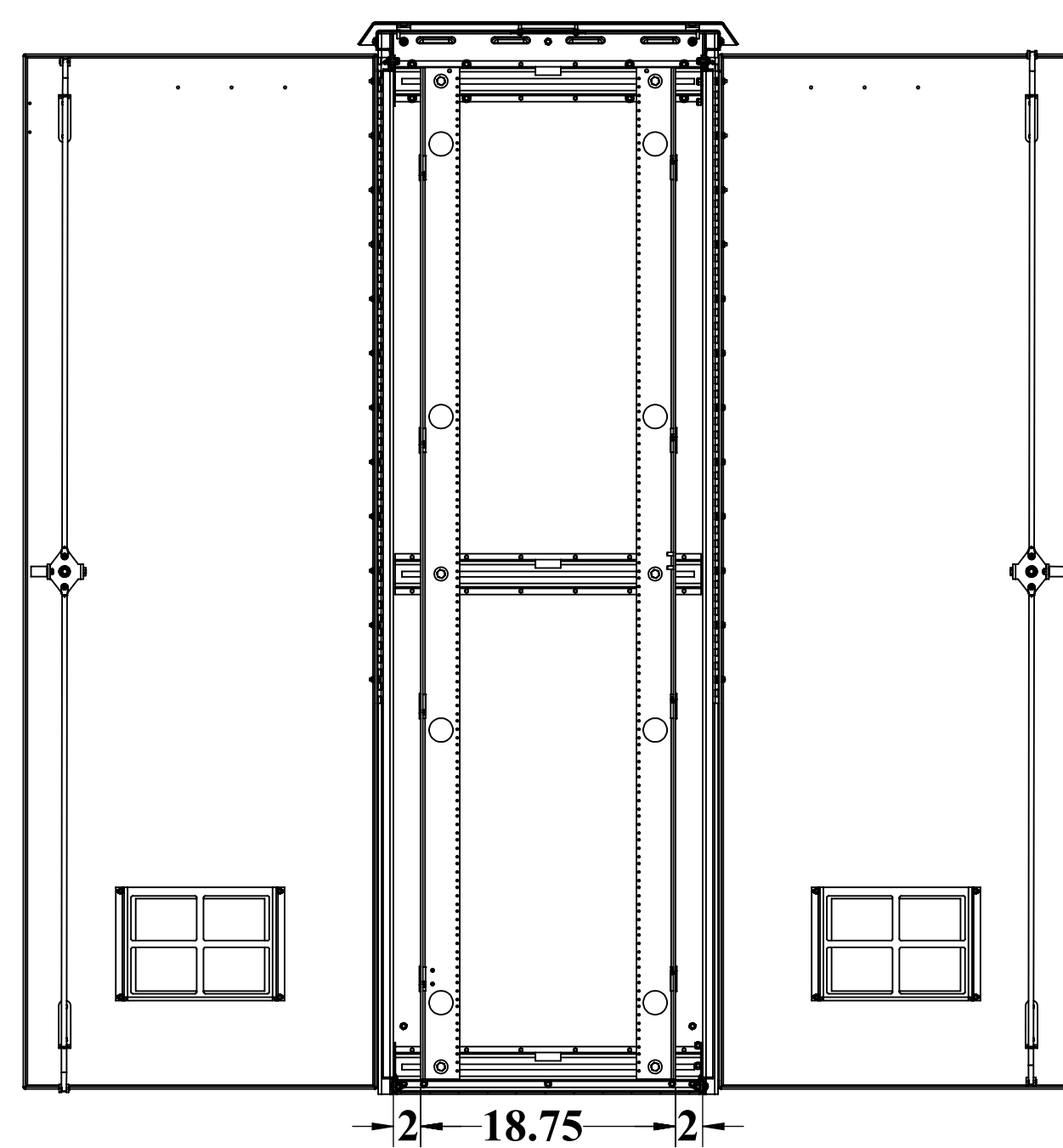
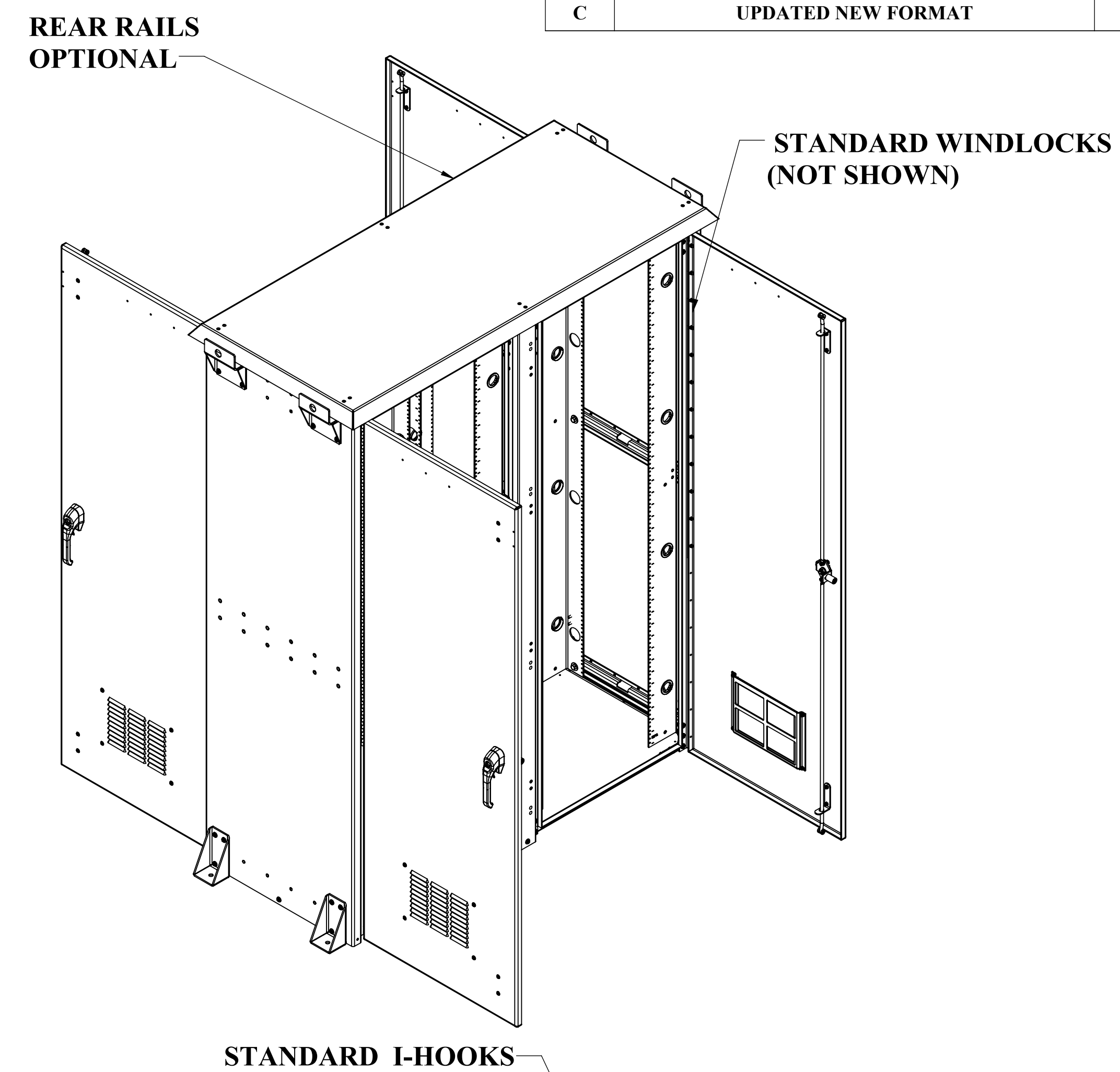
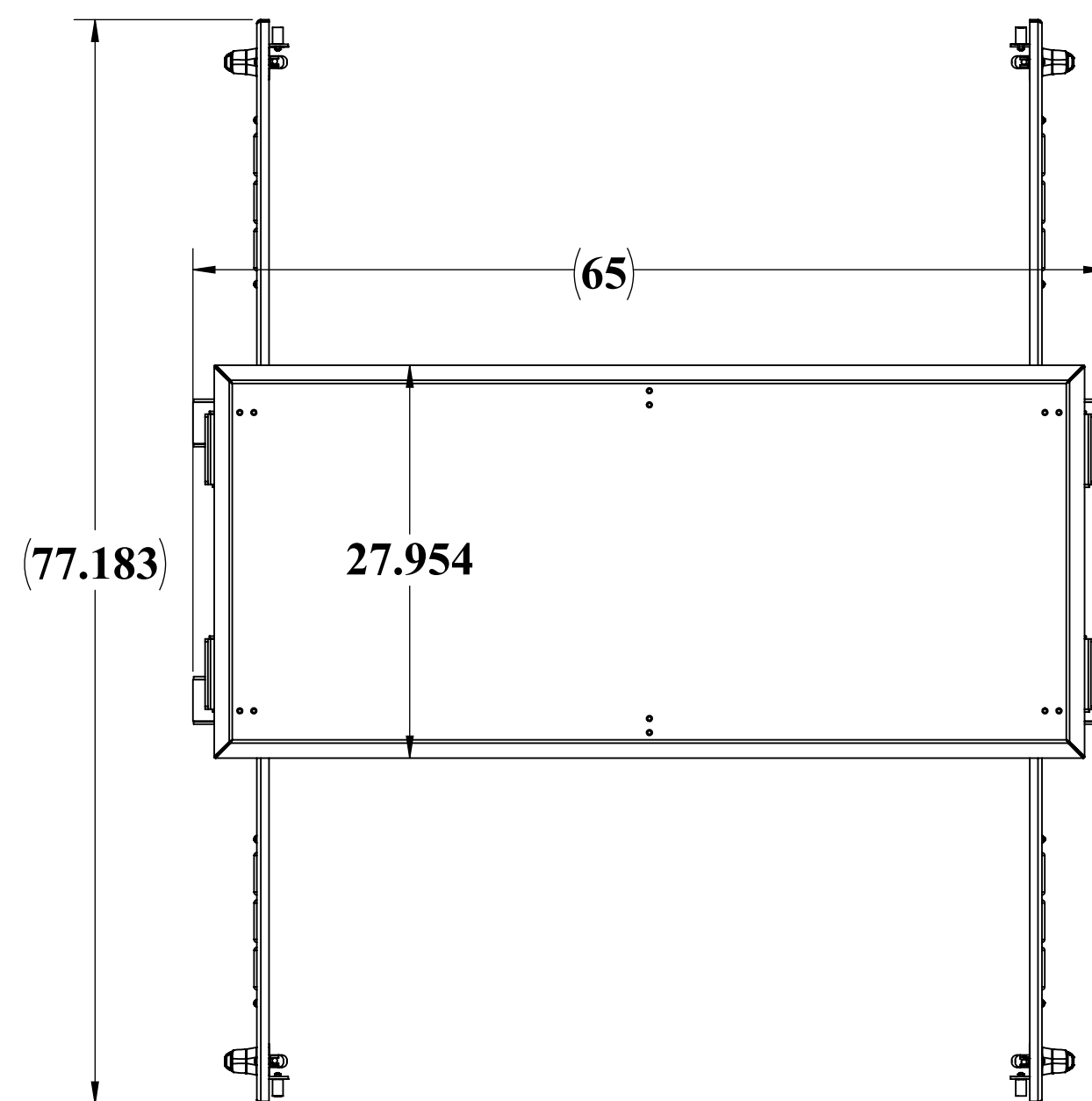
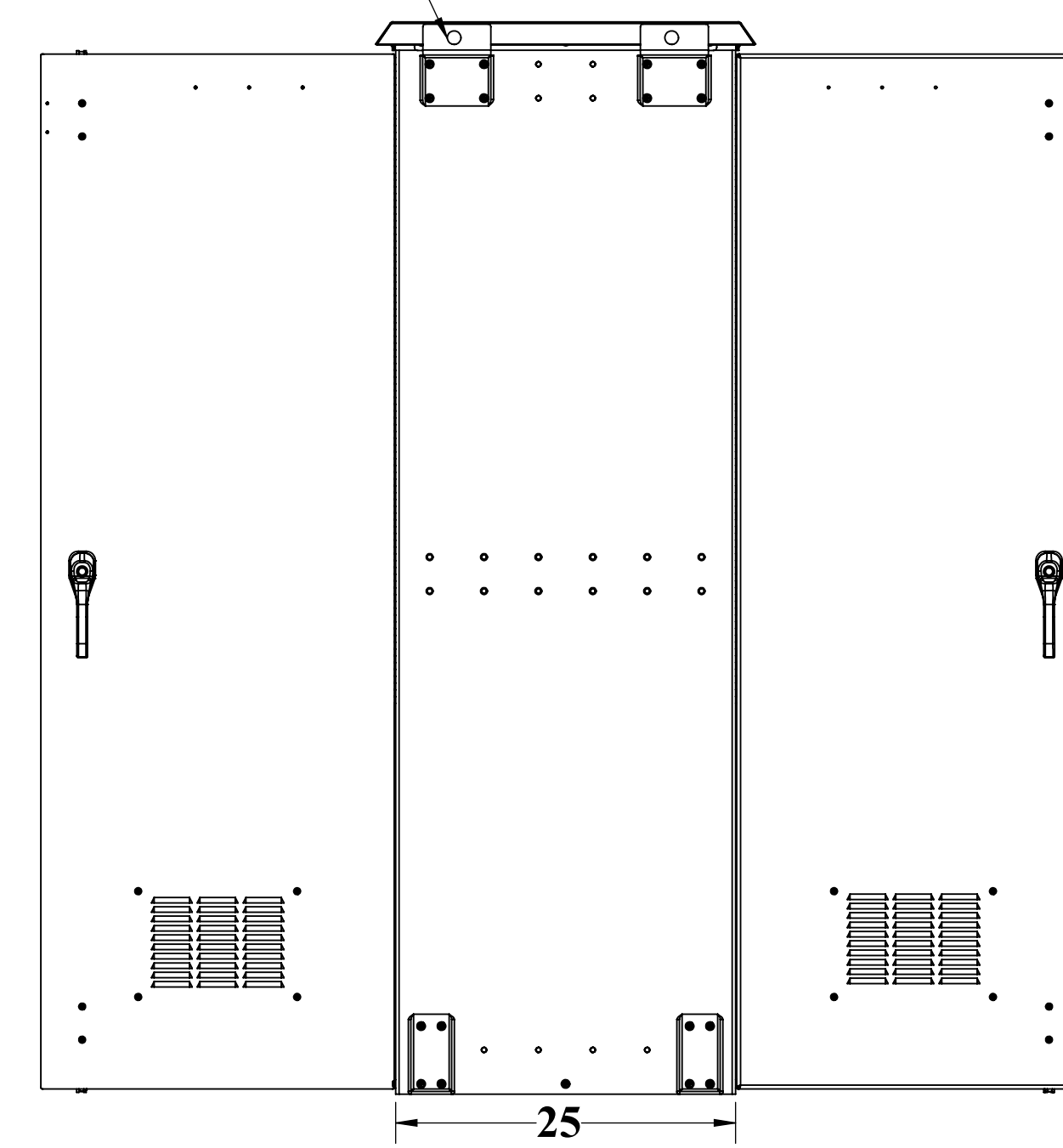
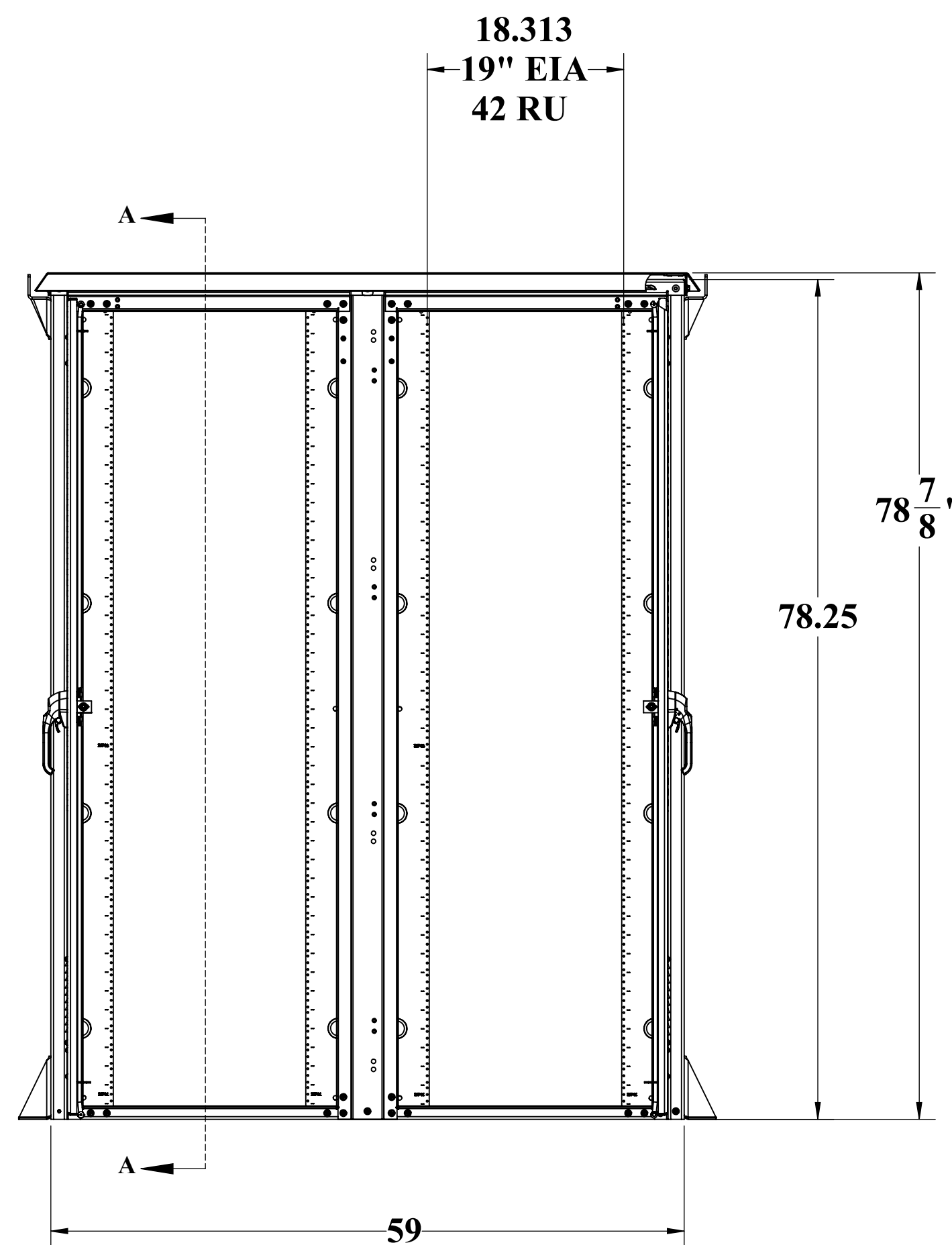


WEB DRAWING (NOT FOR FABRICATION)

REVISIONS		
REV.	DESCRIPTION	DATE
A	Initial Release per DR-00969	5/28/2014
B	UPDATED TO 2017 WEBSITE FORMAT	8/9/2017
C	UPDATED NEW FORMAT	11/25/2020



SECTION A-A  
SCALE 1 : 12

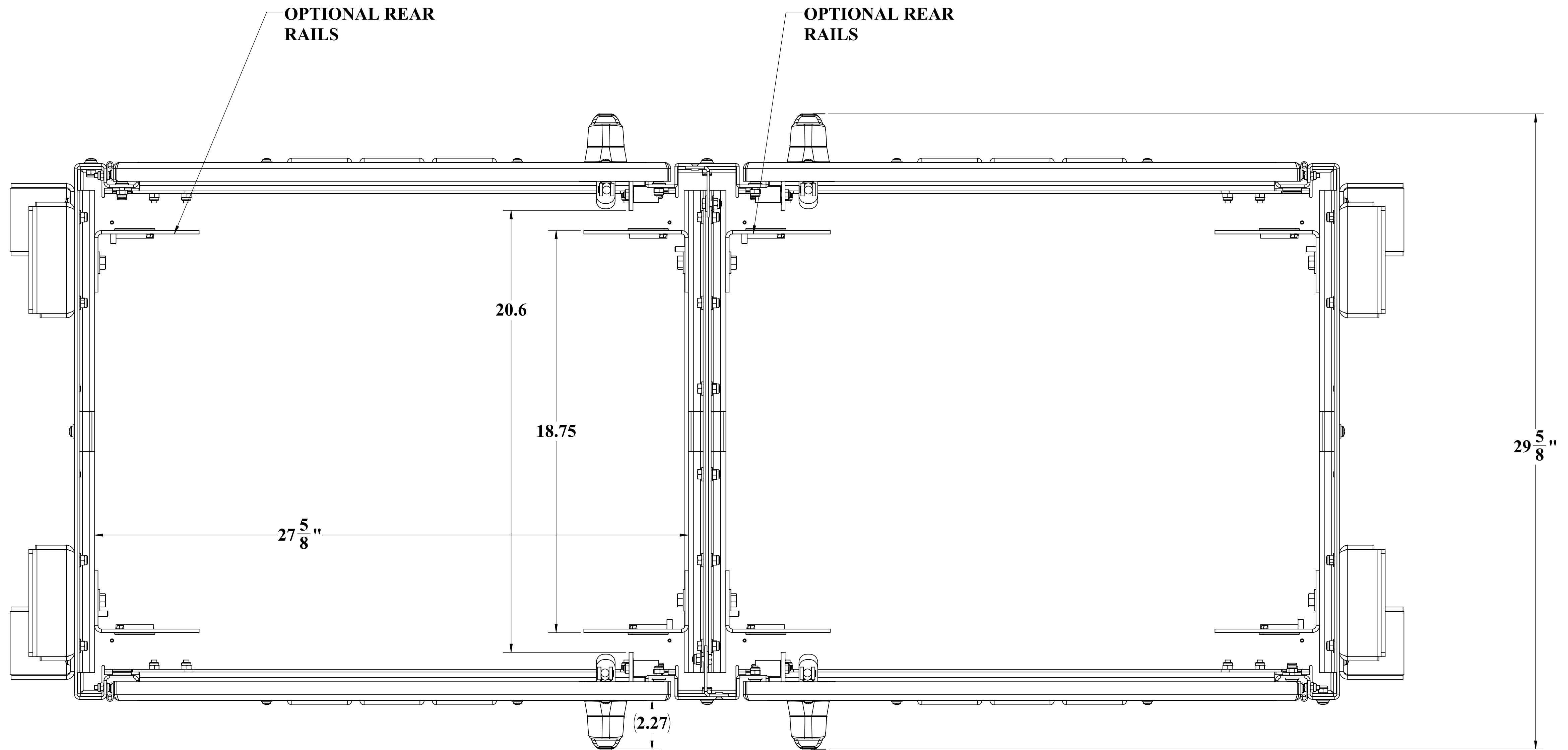


WEB DRAWING (NOT FOR FABRICATION)

UNLESS OTHERWISE SPECIFIED:		NAME	DATE	DDB Unlimited Inc.				
DIMENSIONS ARE IN INCHES		Model by:	DDB	8/9/2017	20D-XXXX			
ANGULAR:	21°	Drawn by:	gerone	08/11/17	DWG, WEB, 20D, 78, DX			
FRACTIONAL/NO DECIMAL:	1/16	Sales Rep:	Ryan Campbell		SIZE	Cage Code:	DWG. NO.:	REV
ONE PLACE DECIMAL:	0.0625	Q.A. Appr.:	tray	11/30/20	D	385Y5	00969	C
TWO PLACE DECIMAL:	0.0020	Prod.Mgr.:	ClarkK	11/30/20	SCALE: 1:8	WEIGHT: 399 lbs.		SHEET 1 OF 3
THREE PLACE DECIMAL:	0.0010							
ALL HOLES: 4-MON/8								
MATERIAL: 5052-H32-0.125 ASTM B209-04								
PAINT: DIAMOND VOGEL, BEIGE GLOSS TEXTURE ET-428								
DO NOT SCALE DRAWING								

8 7 6 5 4 3 2 1

H G F E D C B A



ALUMASHIELD AND CEILING NOT SHOWN

UNLESS OTHERWISE SPECIFIED:			
DIMENSIONS ARE IN INCHES			
ANGULAR:	±1°		
FRACTIONAL NO. DECIMAL:	±0.125		
ONE PLACE DECIMAL:	±0.0625		
TWO PLACE DECIMAL:	±0.03125		
THREE PLACE DECIMAL:	±0.015625		
ALL HOLES:	±0.0031		
MATERIAL: 5052-H32-0.125 ASTM B209-04		PAINT: DIAMOND VOGEL, BEIGE GLOSS TEXTURE	
DO NOT SCALE DRAWING			
DDB Unlimited Inc.		20D-62DX (CLOSED)	
DWG, WEB, 20D, 62, DX20D-62DX (CLOSED)			
SIZE	Cage Code:	DWG. NO.:	REV
D	385Y5	00969	C
SCALE: 1:8		WEIGHT: 347 lbs.	
		SHEET 2 OF 3	

UNCLASSIFIED PUBLIC  
THE INFORMATION CONTAINED IN THIS DRAWING IS THE SOLE PROPERTY OF DDB Unlimited, INC. ANY REPRODUCTION IN PART OR AS A WHOLE WITHOUT THE WRITTEN PERMISSION OF DDB Unlimited, INC. IS PROHIBITED.

File Location: [DDB] \EPDM Vault\ C:\DDB\Drawing Requests\Customers\DDB WEB DWG\20D Family WEB\DR-00969 (20D-78DX WEB DWG)

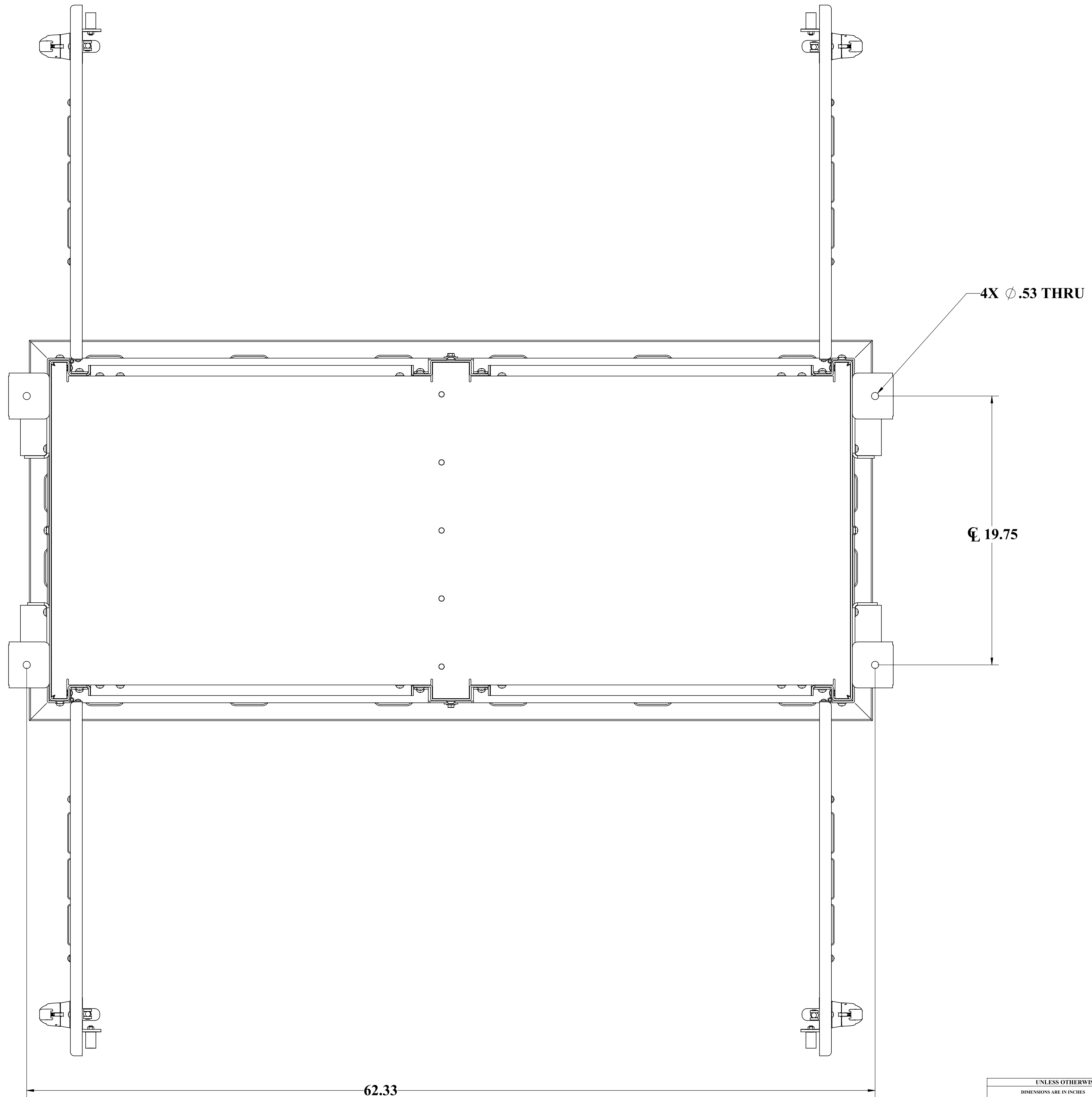
8 7 6 5 4 3 2 1

H G F E D C B A

DDB FORM: 7.1-2-REV:K 08/02/17

8 7 6 5 4 3 2 1

H G F E D C B A



62.33

4X Ø.53 THRU

19.75

**BOTTOM VIEW MOUNTING HOLE LOCATIONS**

UNLESS OTHERWISE SPECIFIED:		<b>DDB Unlimited Inc.</b>	
DIMENSIONS ARE IN INCHES		20D-78DX	
ANGULAR: ±1°		DWG. WEB, 20D, 78, DX20D-78DX	
FRACTIONAL NO DECIMAL: ±0.125		SIZE	REV
ONE PLACE DECIMAL: ±0.015		Cage Code:	DWG. NO.:
TWO PLACE DECIMAL: ±0.010		D	385Y5
THREE PLACE DECIMAL: ±0.005		SCALE: 1:8	WEIGHT: 399 lbs.
ALL HOLES: ±0.001 Ø.		SHEET 3 OF 3	
MATERIAL: 5052-H32-O.125 ASTM B209-04		PAINT: DIAMOND VOGEL, BEIGE GLOSS TEXTURE	
DO NOT SCALE DRAWING			

DDB FORM: 7.1-2-REV:K 08/02/17

UNCLASSIFIED PUBLIC  
THE INFORMATION CONTAINED IN THIS DRAWING IS THE SOLE PROPERTY OF DDB Unlimited, INC. ANY REPRODUCTION IN PART OR AS A WHOLE WITHOUT THE WRITTEN PERMISSION OF DDB Unlimited, INC. IS PROHIBITED.