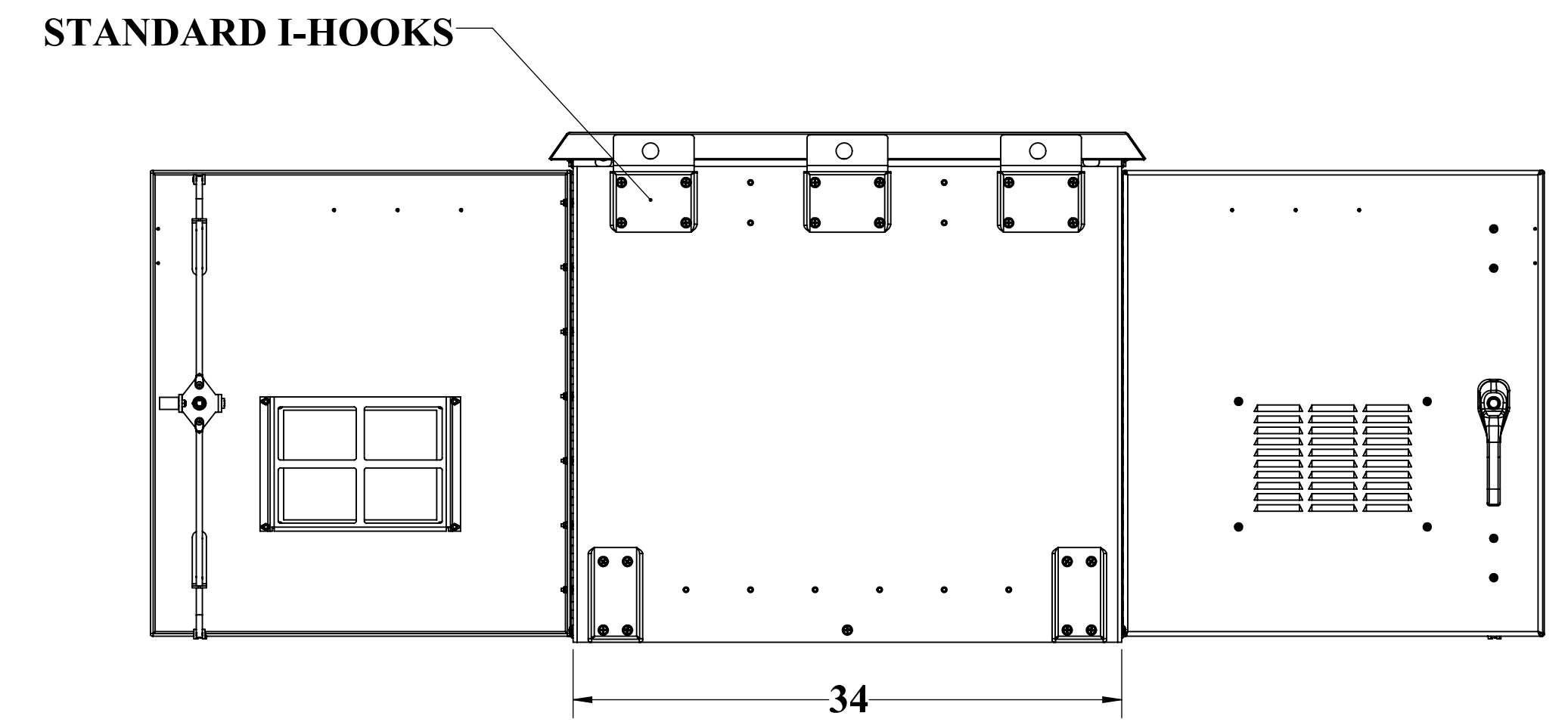
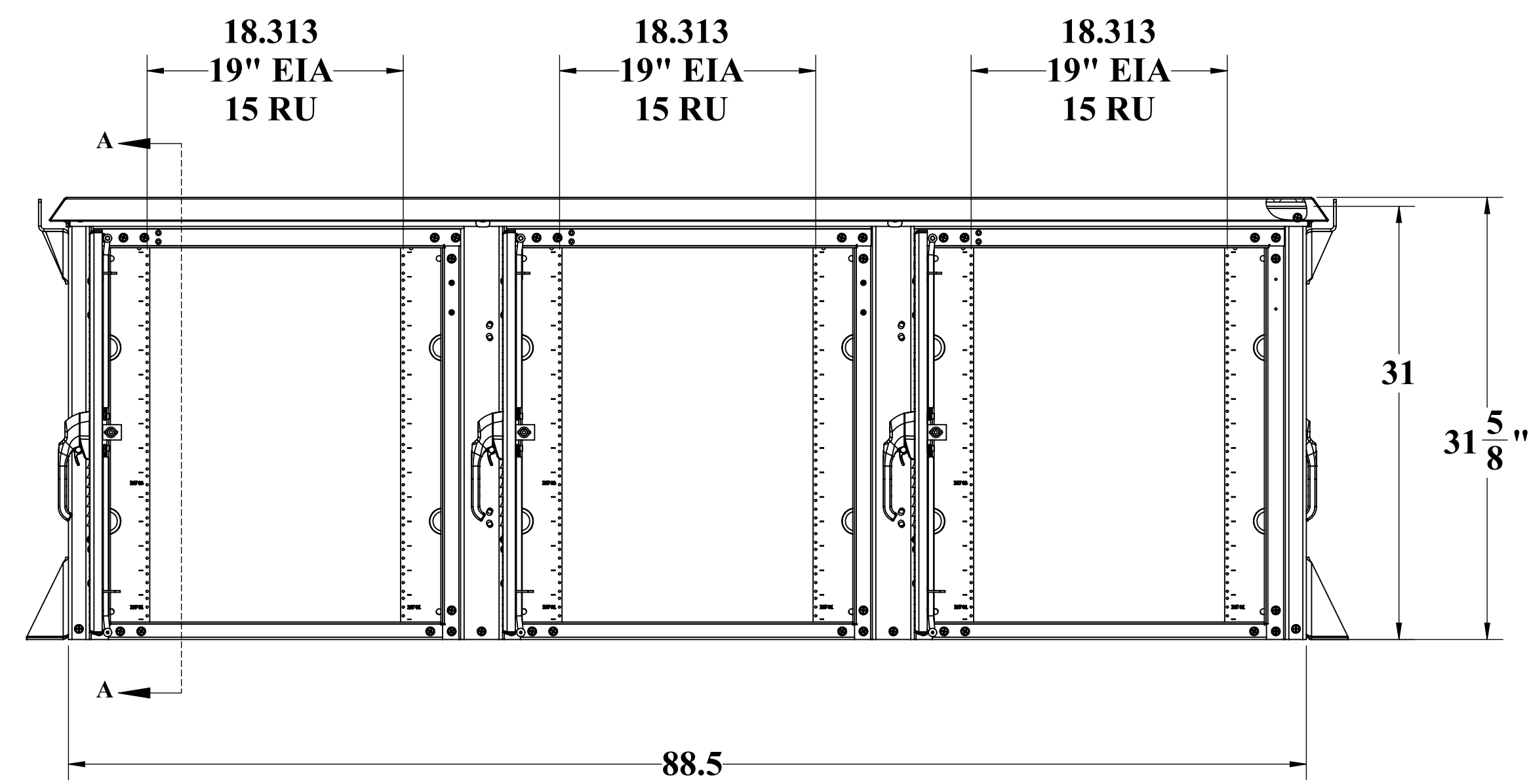
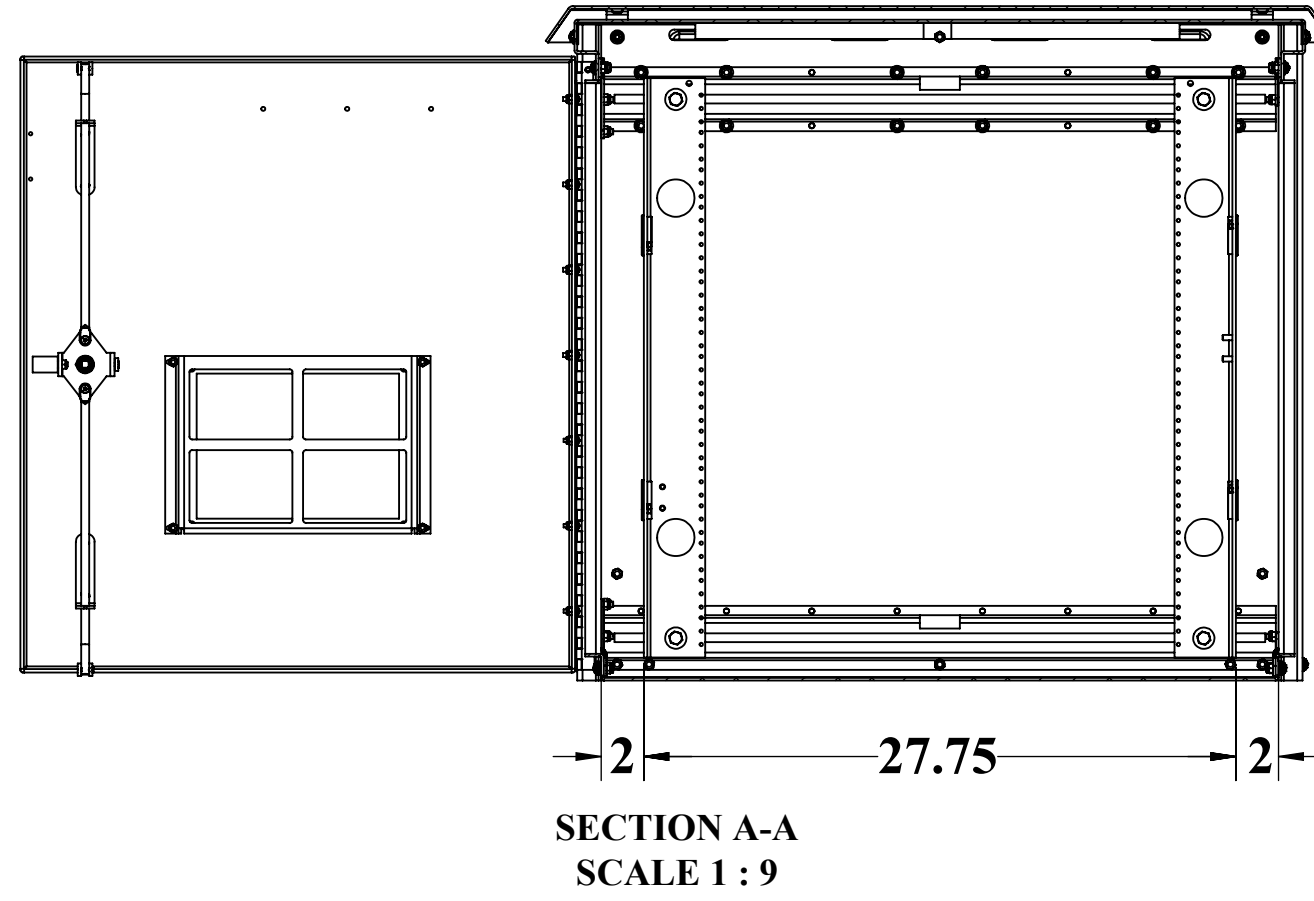
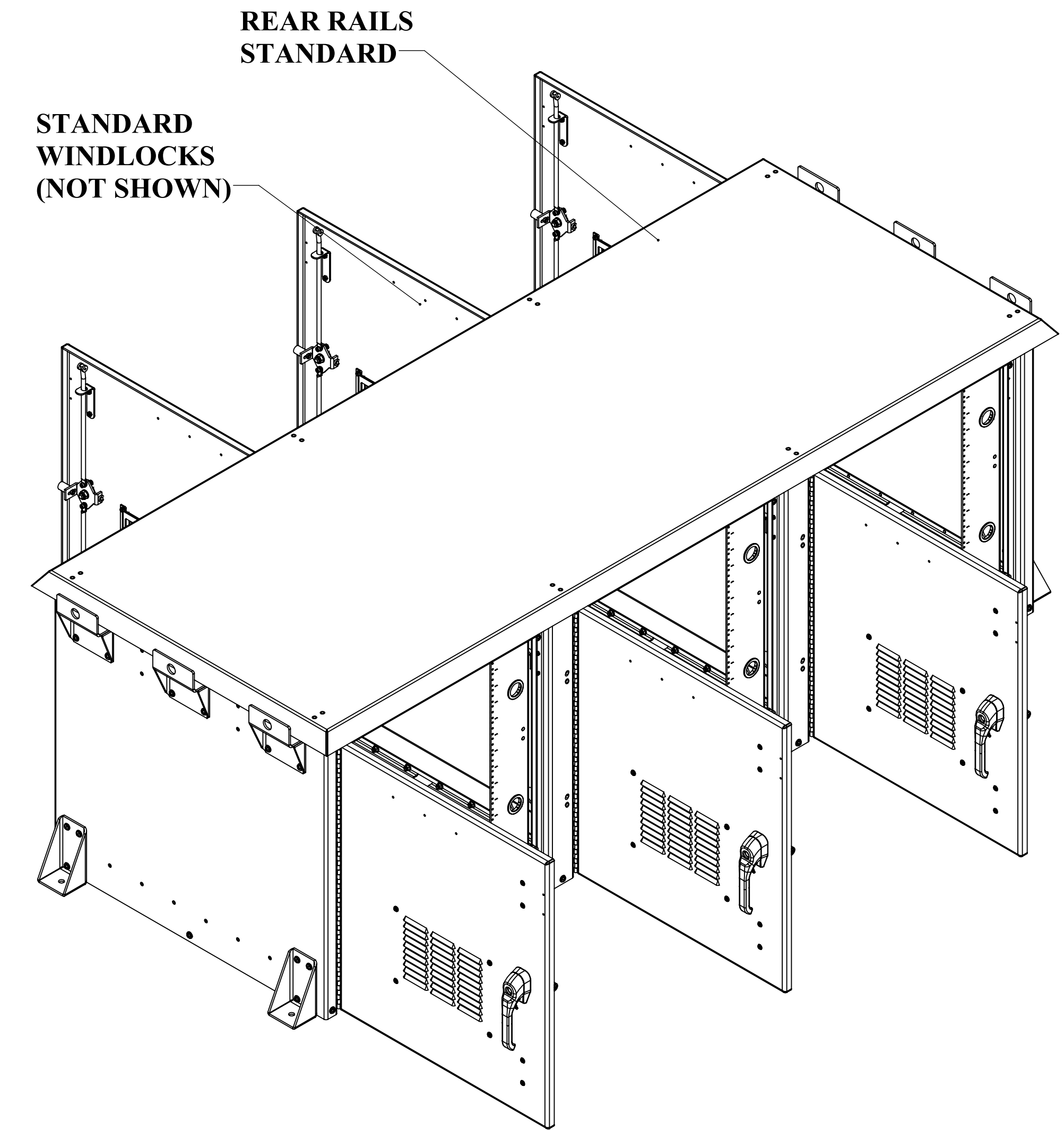
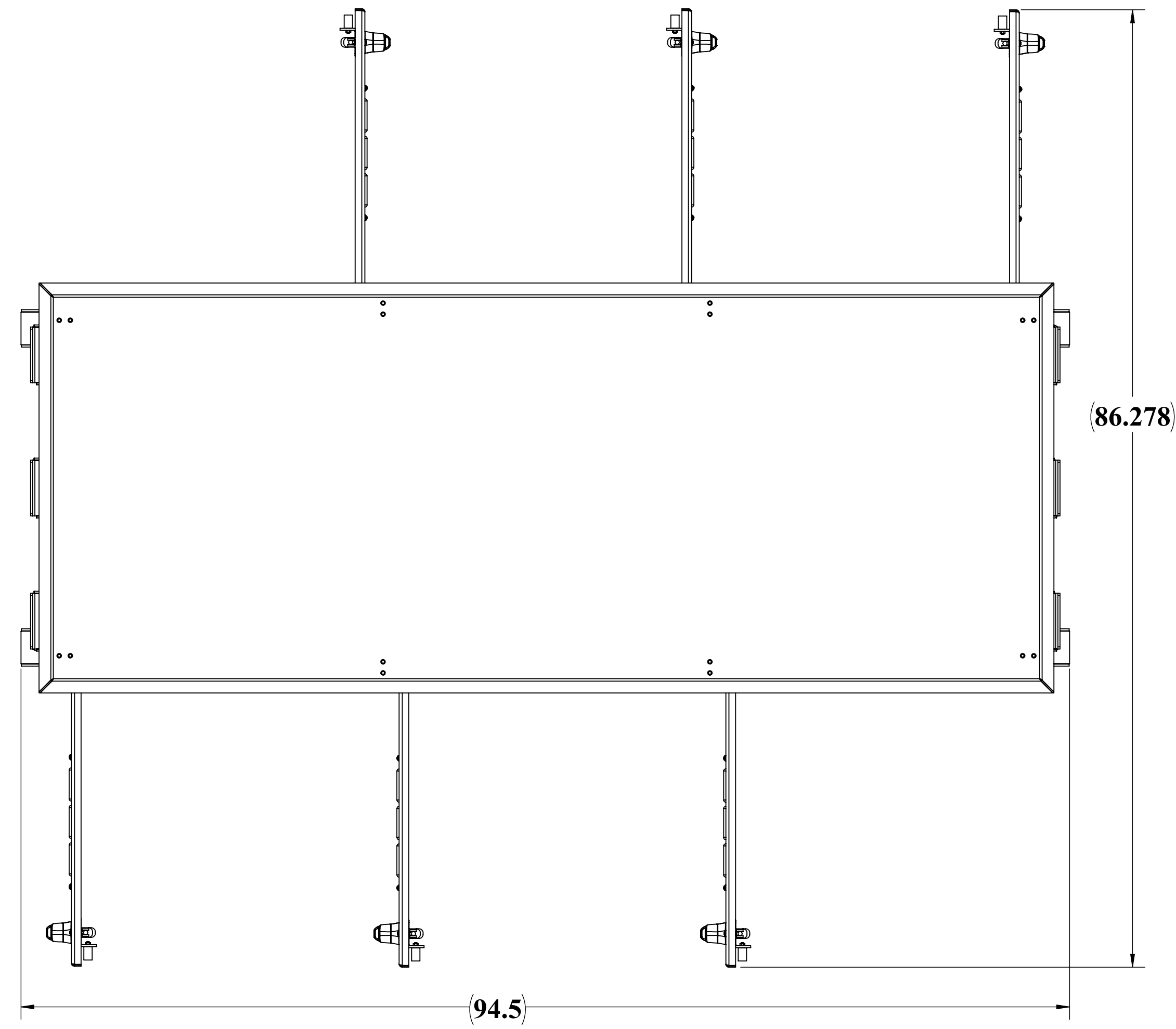


WEB DRAWING (NOT FOR FABRICATION)

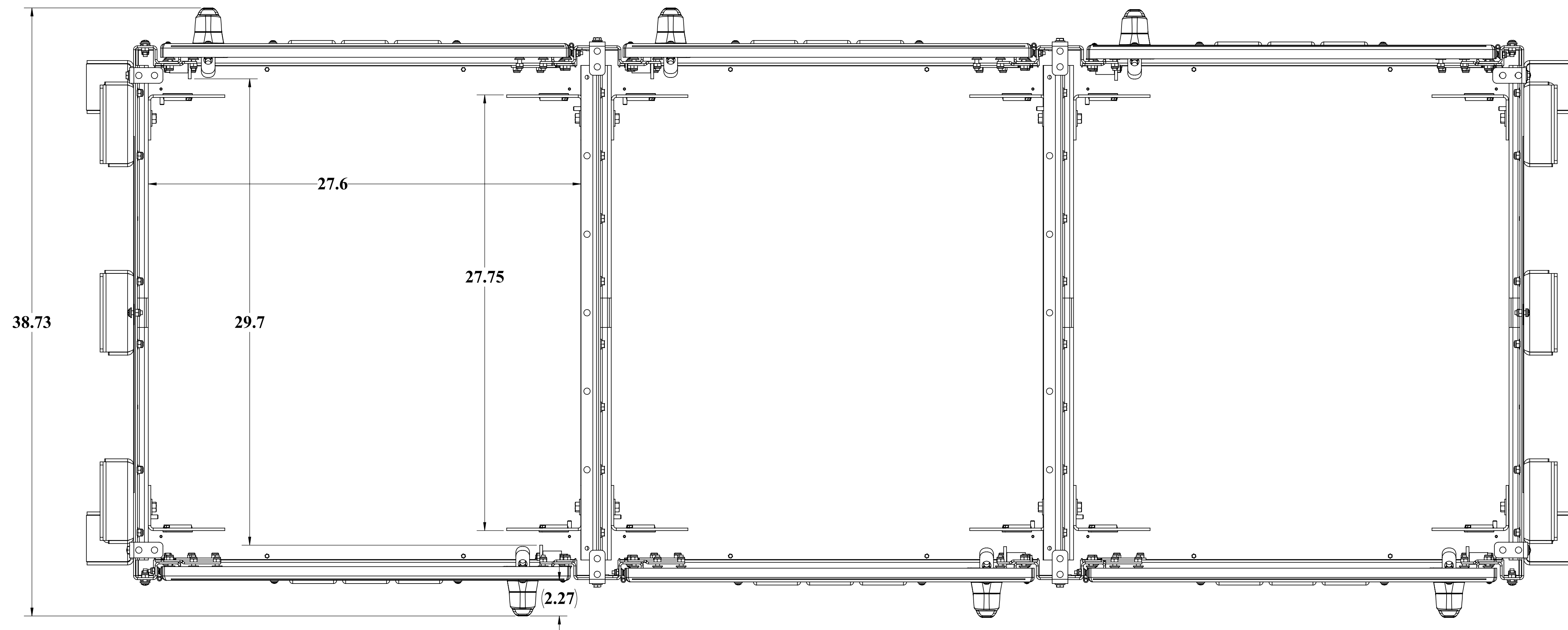
REVISIONS		
REV.	DESCRIPTION	DATE
A	Initial Release per DR-00977	5/28/2014
B	UPDATED FORMAT	12/07/2020



WEB DRAWING (NOT FOR FABRICATION)

UNLESS OTHERWISE SPECIFIED:		NAME	DATE	DDB Unlimited Inc.			
DIMENSIONS ARE IN INCHES		Model by:	DDB	30D-XXXX			
ANGULAR:	21°	Drawn by:	gerone	DWG, 30D, 30, DD			
FRACTIONAL/NO DECIMAL:	1/16	Sales.Rep.:	toy	SIZE	Cage Code:	DWG. NO.:	REV
ONE PLACE DECIMAL:	0.0625	Q.A.Appr.:	ClarkK	D	385Y5	00977	B
TWO PLACE DECIMAL:	0.0020	Prod.Mgr.:	ClarkK	SCALE: 1:8	WEIGHT: 358 lbs.	SHEET 1 OF 3	
THREE PLACE DECIMAL:	0.00150						
ALL HOLES: ±0.0010		Control Number:					
MATERIAL: 5032-H32N.0125-ASTM B209-04							
PAINT: Hammer Vapour Blue Clear Texture ET-8209							
DO NOT SCALE DRAWING							

WEB DRAWING (NOT FOR FABRICATION)



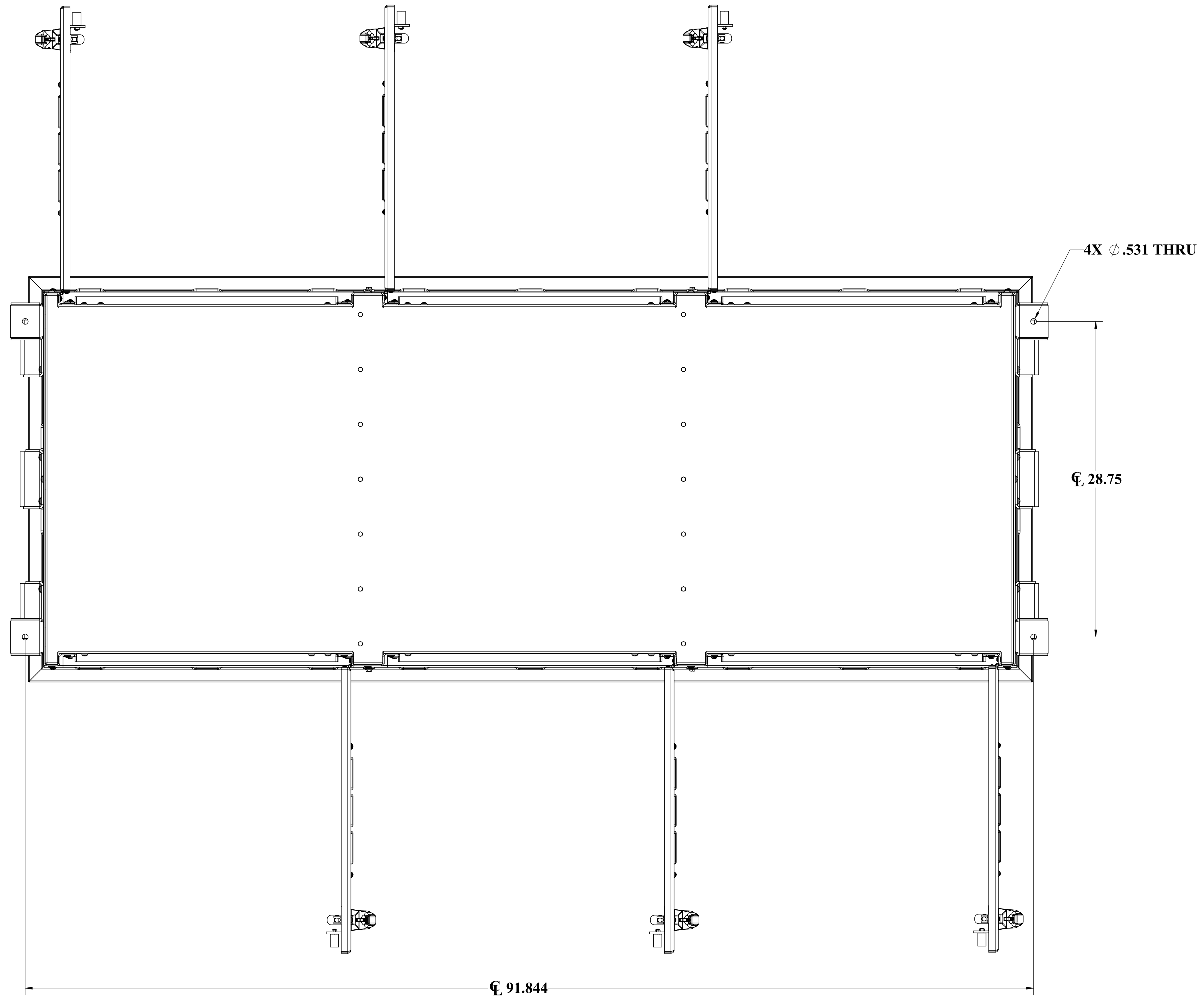
TOP VIEW SOLAR SHIELD AND CEILING NOT SHOWN

WEB DRAWING (NOT FOR FABRICATION)

UNLESS OTHERWISE SPECIFIED:			
DIMENSIONS ARE IN INCHES			
ANGULAR:	±1°		
FRACTIONAL NO DECIMAL:	±0.125		
ONE PLACE DECIMAL:	±0.0625		
TWO PLACE DECIMAL:	±0.03125		
THREE PLACE DECIMAL:	±0.015625		
ALL HOLES: ±0.003125			
MATERIAL: 5032-432N0.125-ASTM B209-04		DDB Unlimited Inc.	
PAINT: Diamond Vogel Beige Gloss Texture ET-8320		DD Closed	
DO NOT SCALE DRAWING			
SIZE	Cage Code:	DWG. NO.:	REV
D	385Y5	00977	B
SCALE: 1:8		WEIGHT: 624 lbs.	SHEET 2 OF 3

UNCLASSIFIED PUBLIC
THE INFORMATION CONTAINED IN THIS DRAWING IS THE SOLE PROPERTY OF DDB Unlimited, INC. ANY REPRODUCTION IN PART OR AS A WHOLE WITHOUT THE WRITTEN PERMISSION OF DDB Unlimited, INC. IS PROHIBITED.

WEB DRAWING (NOT FOR FABRICATION)



MOUNTING HOLES

WEB DRAWING (NOT FOR FABRICATION)

UNLESS OTHERWISE SPECIFIED:			
DIMENSIONS ARE IN INCHES			
ANGULAR:	±1°		
FRACTIONAL NO. DECIMAL:	±0.125		
ONE PLACE DECIMAL:	±0.0625		
TWO PLACE DECIMAL:	±0.03125		
THREE PLACE DECIMAL:	±0.015625		
ALL HOLES:	±0.0010		
MATERIAL: 5032-H32N0.125-ASTM B209-04			
PAINT: Diamond Vogel Beige Gloss Texture ET-8320			
DO NOT SCALE DRAWING			
DDB Unlimited Inc.		30D-30DD	
DWG. NO.: 00977			
SIZE	Cage Code:	DWG. NO.:	REV
D	385Y5	00977	B
SCALE: 1:8		WEIGHT: 358 lbs.	
		SHEET 3 OF 3	