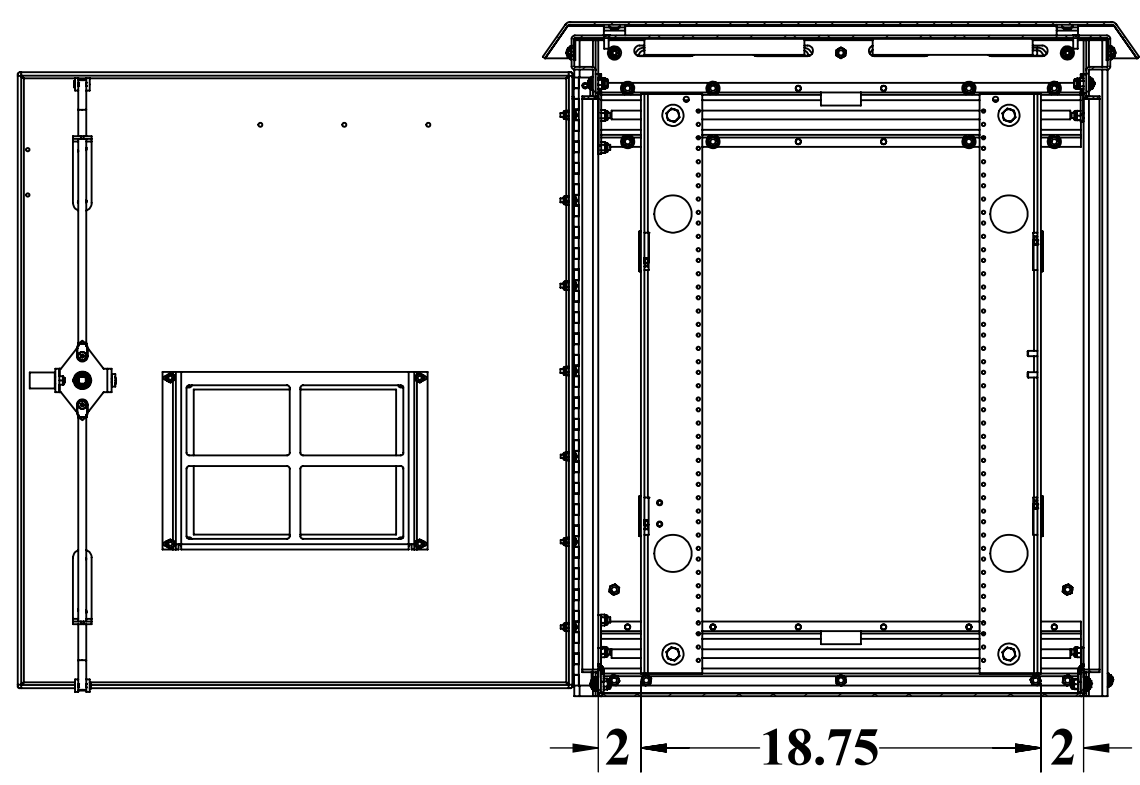
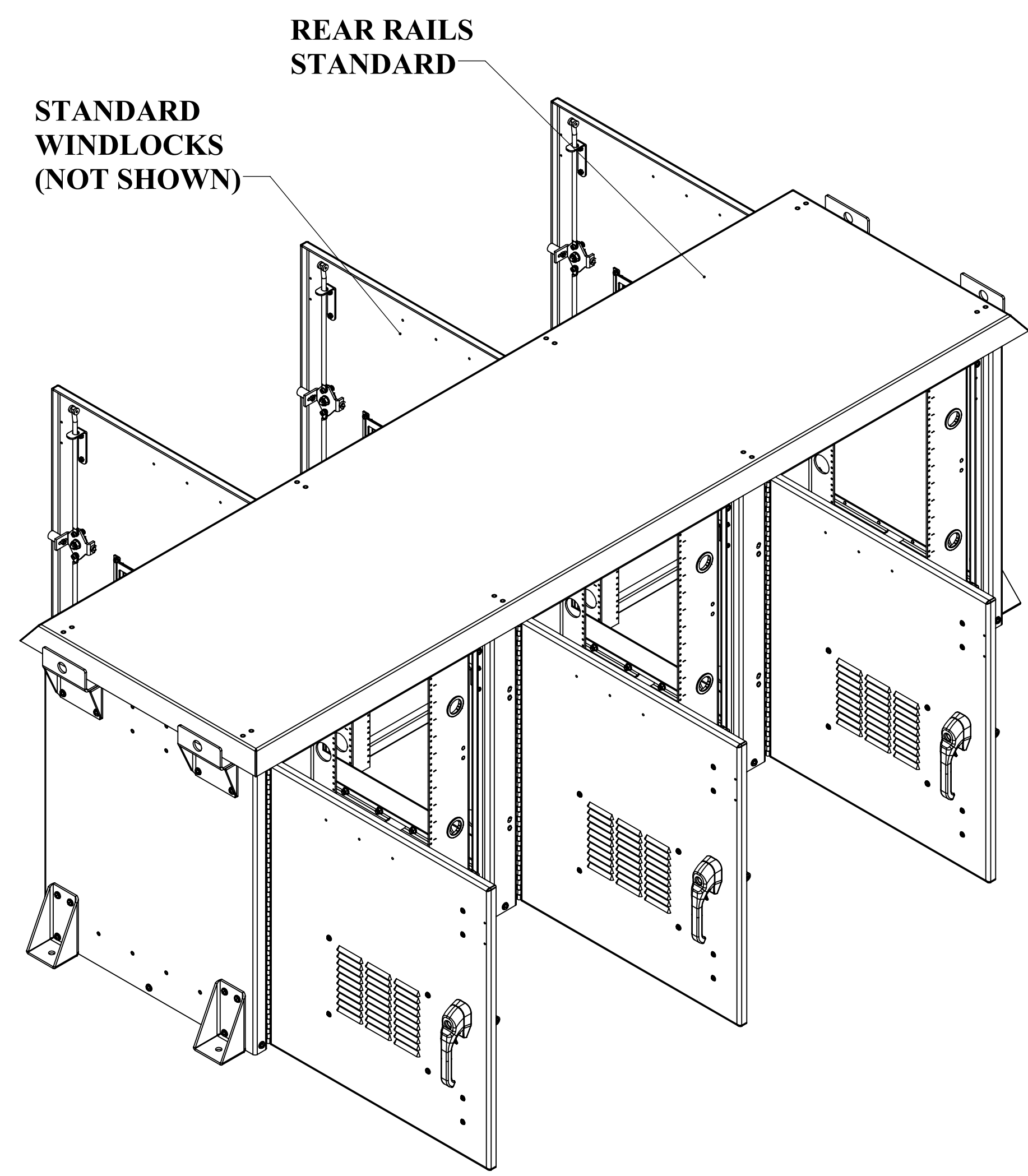
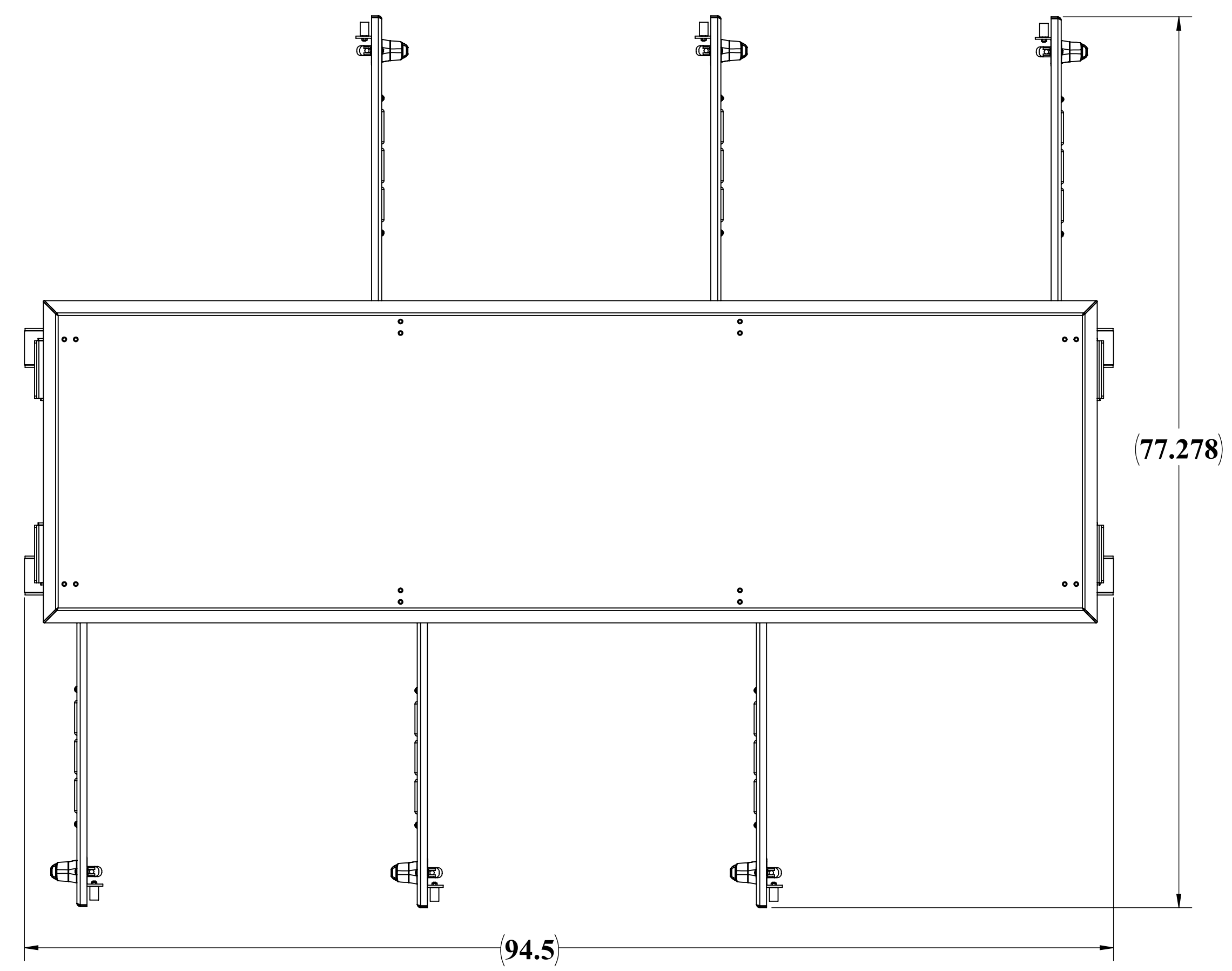
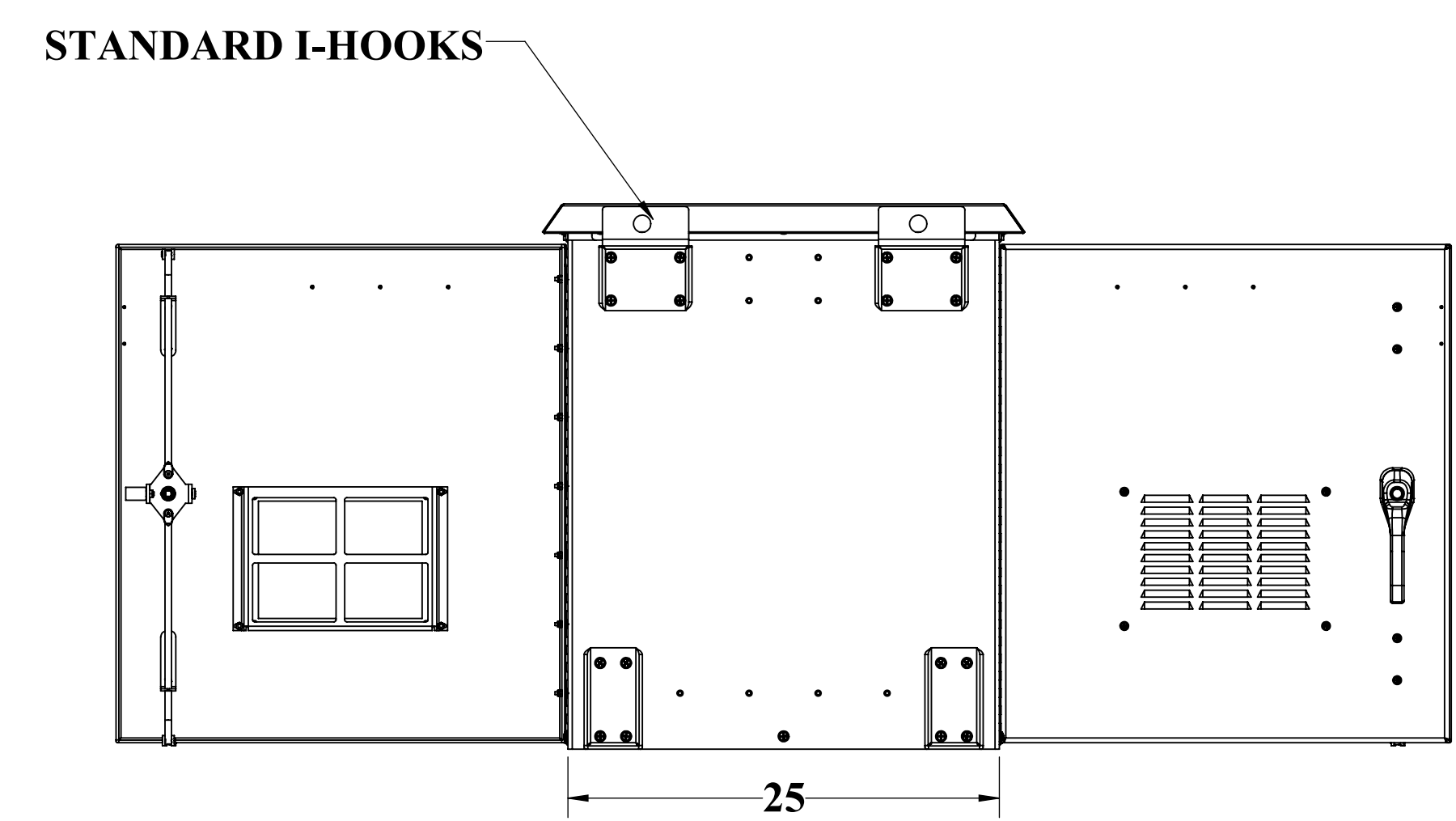
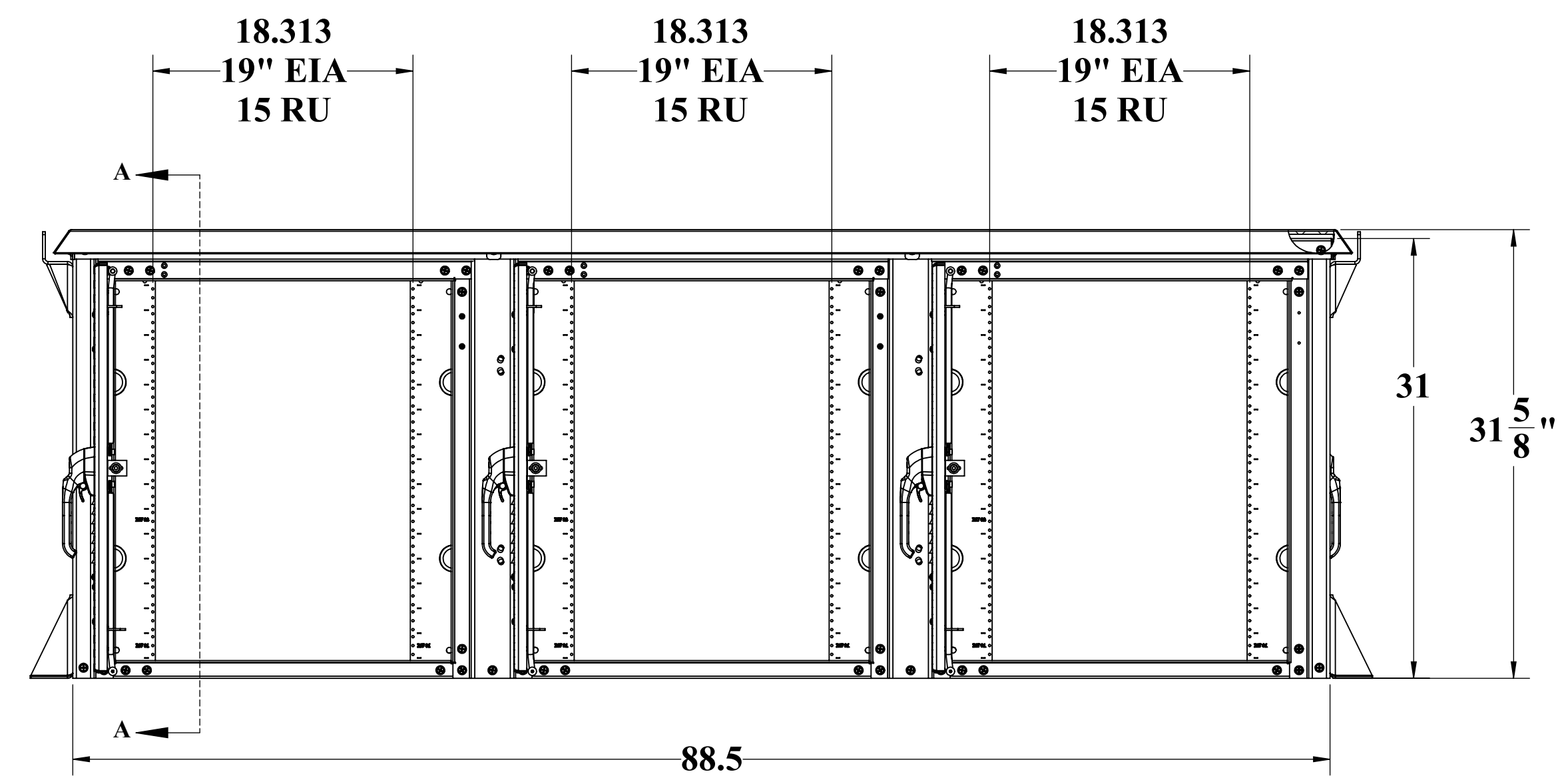


WEB DRAWING (NOT FOR FABRICATION)

REVISIONS		
REV.	DESCRIPTION	DATE
A	Initial Release per DR-00976	5/28/2014
B	UPDATED TO 2017 WEBSITE FORMAT	8/9/2017
C	UPDATED FORMAT	11/25/2020



SECTION A-A
SCALE 1:9

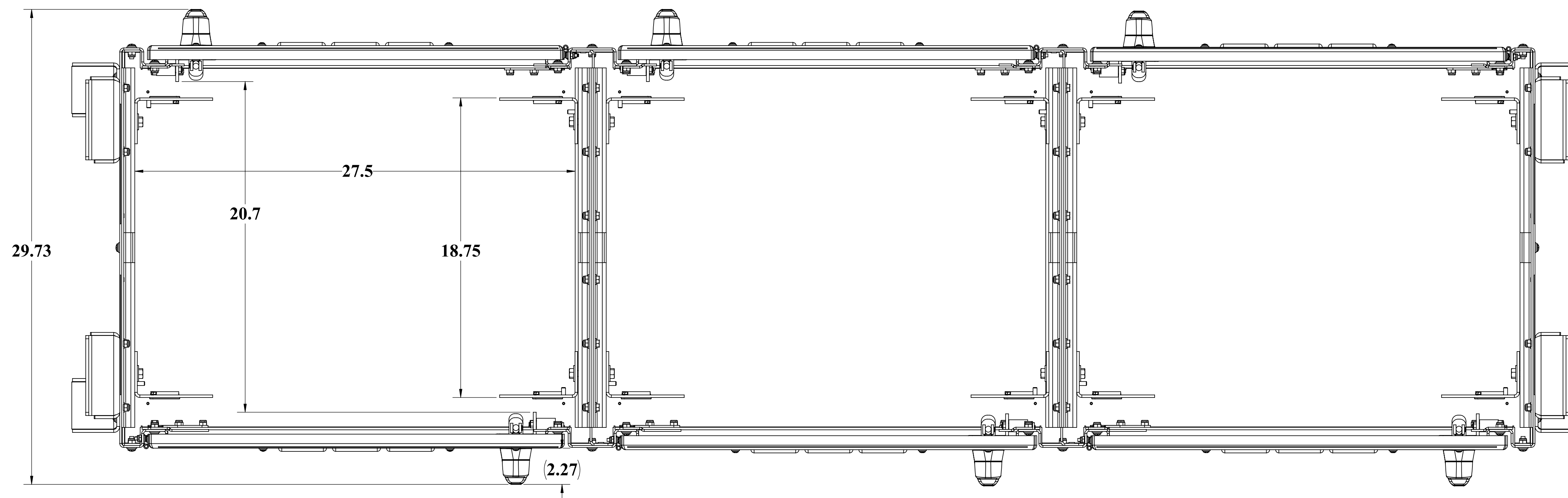


WEB DRAWING (NOT FOR FABRICATION)

UNLESS OTHERWISE SPECIFIED:			
DIMENSIONS ARE IN INCHES			
ANGULAR	1°		
FRACTIONAL NO. DECIMAL	±0.1250		
ONE PLACE DECIMAL	±0.0625		
TWO PLACE DECIMAL	±0.0313		
THREE PLACE DECIMAL	±0.0156		
ALL HOLES: ±0.0031			
MATERIAL: 5052-H32N0.125-ASTM B209-04			
PAINT: Diamond Vogel Beige Gloss Texture ET-8320			
DO NOT SCALE DRAWING			
DDB Unlimited Inc.		30D-30DX	
DWG. 30D, 30, DX			
SIZE	Cage Code:	DWG. NO.:	REV
D	385Y5	00976	C
SCALE: 1:8		WEIGHT: 311 lbs.	
			SHEET 1 OF 3

DDB FORM: 7.1-2-REV:K 08/02/17

WEB DRAWING (NOT FOR FABRICATION)



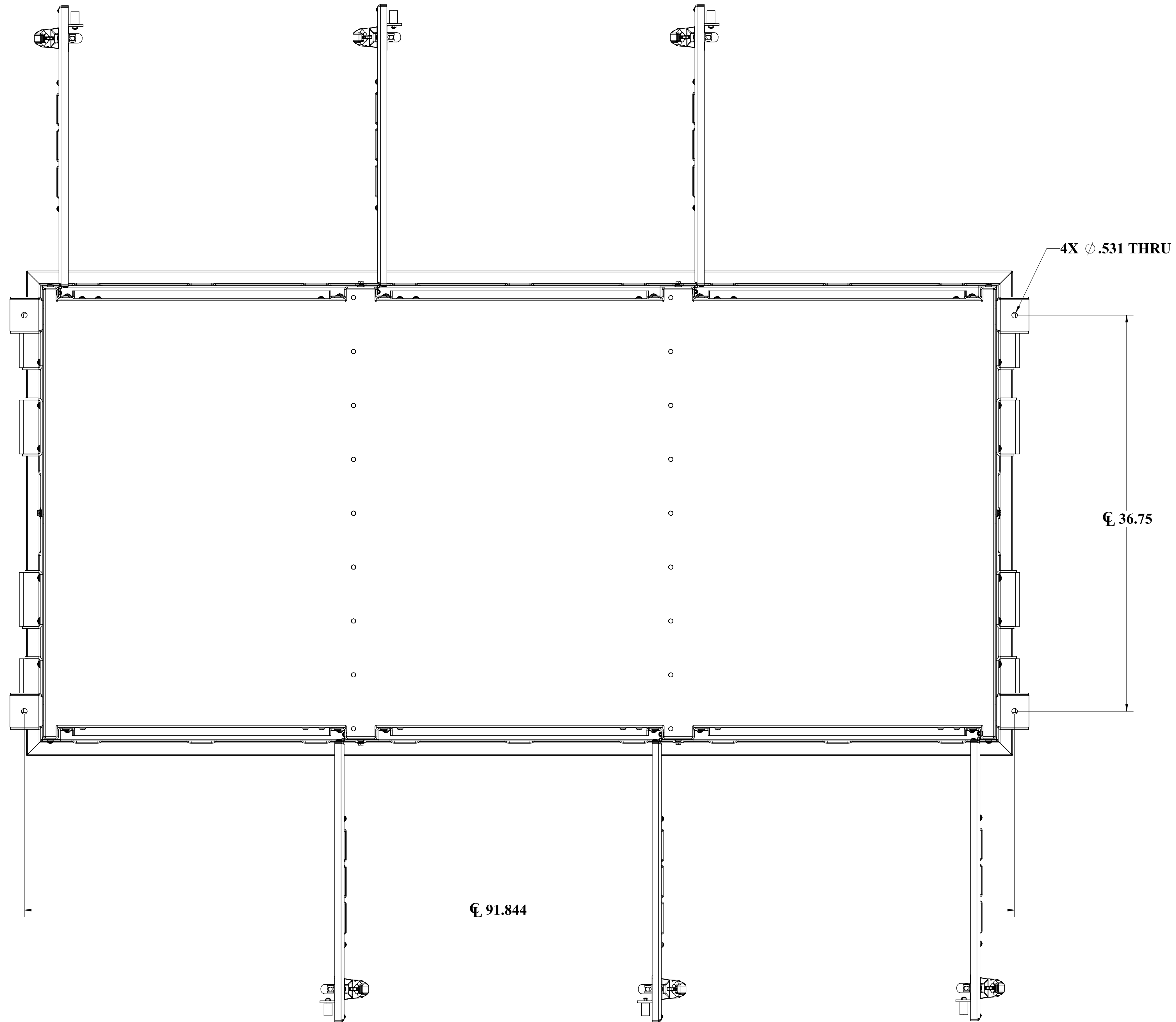
TOP VIEW SOLAR SHIELD AND CEILING NOT SHOWN

WEB DRAWING (NOT FOR FABRICATION)

UNLESS OTHERWISE SPECIFIED:			
DIMENSIONS ARE IN INCHES			
ANGULAR:	±1°		
FRACTIONAL DECIMAL:	±0.125		
ONE PLACE DECIMAL:	±0.0625		
TWO PLACE DECIMAL:	±0.03125		
THREE PLACE DECIMAL:	±0.015625		
ALL HOLES: ±0.0031			
MATERIAL: 5052-H32N0.125-ASTM B209-04		30D-30DX-CLOSED	
PAINT: Diamond Vogel Beige Gloss Texture ET-8320		DDB Unlimited Inc.	
DO NOT SCALE DRAWING			
SIZE	Cage Code:	DWG. NO.:	REV
D	385Y5	00976	C
SCALE: 1:8		WEIGHT: 311 lbs.	SHEET 2 OF 3

UNCLASSIFIED PUBLIC
THE INFORMATION CONTAINED IN THIS DRAWING IS THE SOLE PROPERTY OF DDB Unlimited, INC. ANY REPRODUCTION IN PART OR AS A WHOLE WITHOUT THE WRITTEN PERMISSION OF DDB Unlimited, INC. IS PROHIBITED.

WEB DRAWING (NOT FOR FABRICATION)



WEB DRAWING (NOT FOR FABRICATION)

UNLESS OTHERWISE SPECIFIED:			
DIMENSIONS ARE IN INCHES			
ANGULAR:	±1°		
FRACTIONAL NO DECIMAL:	±0.125		
ONE PLACE DECIMAL:	±0.0625		
TWO PLACE DECIMAL:	±0.03125		
THREE PLACE DECIMAL:	±0.015625		
ALL HOLES:	±0.0031		
MATERIAL: 5052-H32N0.125-ASTM B209-04			
PAINT: Diamond Vogel Beige Gloss Texture ET-8320			
DO NOT SCALE DRAWING			
DDB Unlimited Inc.		3OD-30DDX	
DWG, 30D, 30, DDX			
SIZE	Cage Code:	DWG. NO.:	REV
D	385Y5	00976	C
SCALE: 1:8		WEIGHT: 402 lbs.	SHEET 3 OF 3

MOUNTING HOLES

UNCLASSIFIED PUBLIC
THE INFORMATION CONTAINED IN THIS DRAWING IS THE SOLE PROPERTY OF DDB Unlimited, INC. ANY REPRODUCTION IN PART OR AS A WHOLE WITHOUT THE WRITTEN PERMISSION OF DDB Unlimited, INC. IS PROHIBITED.

DDB FORM: 7.1-2-REV:K 08/02/17