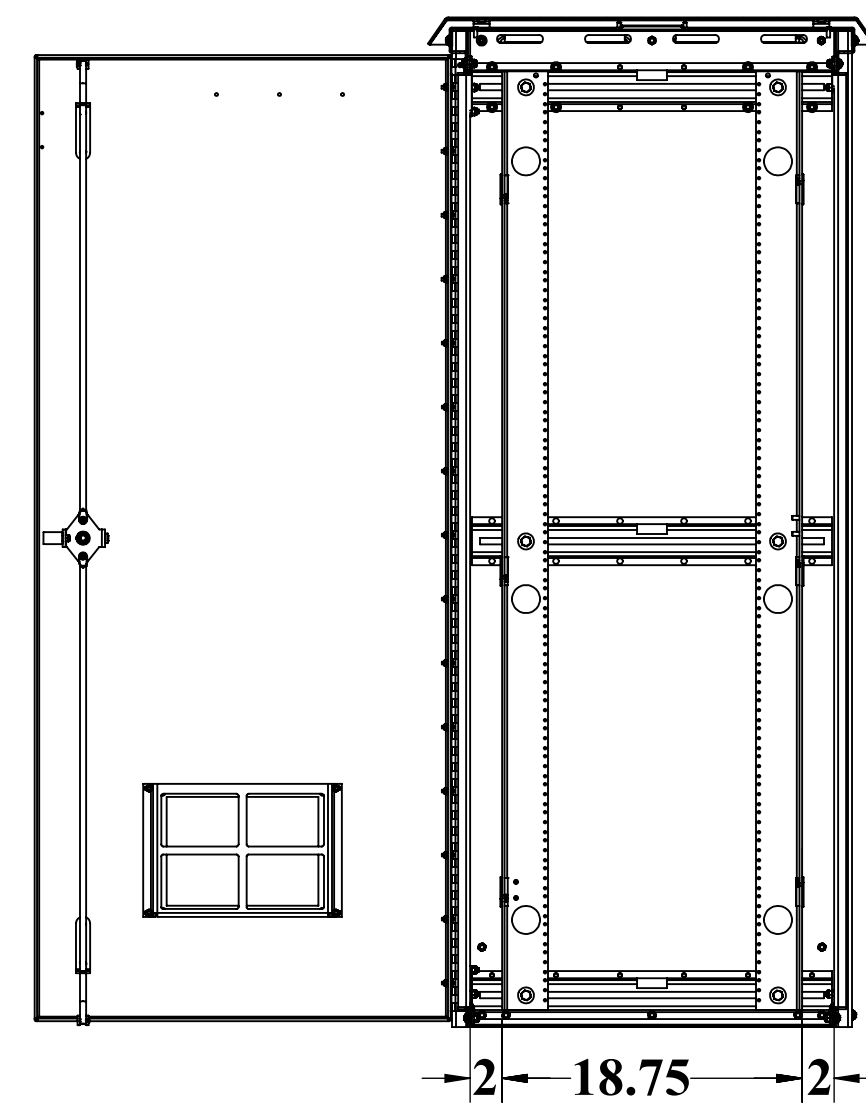
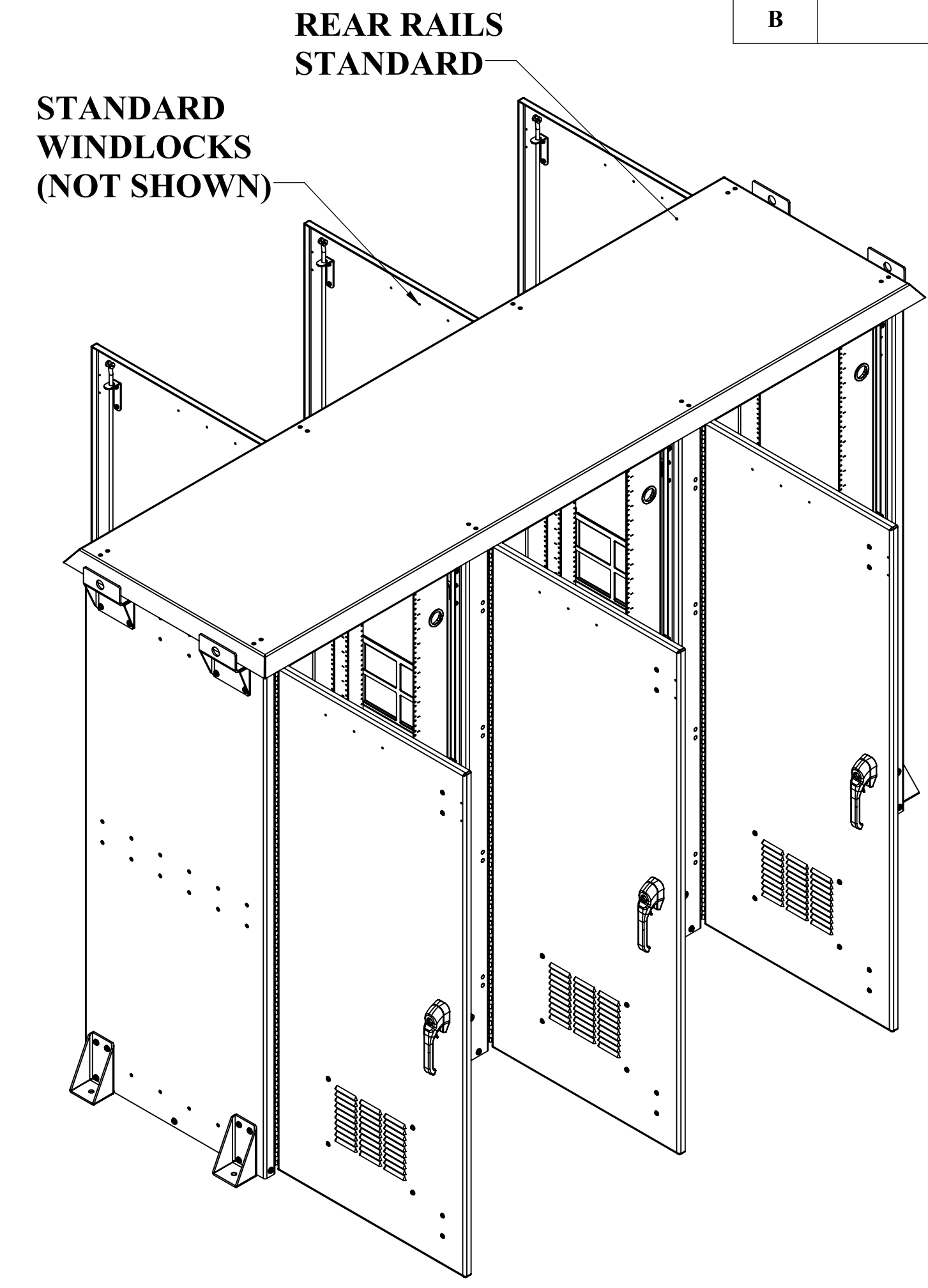
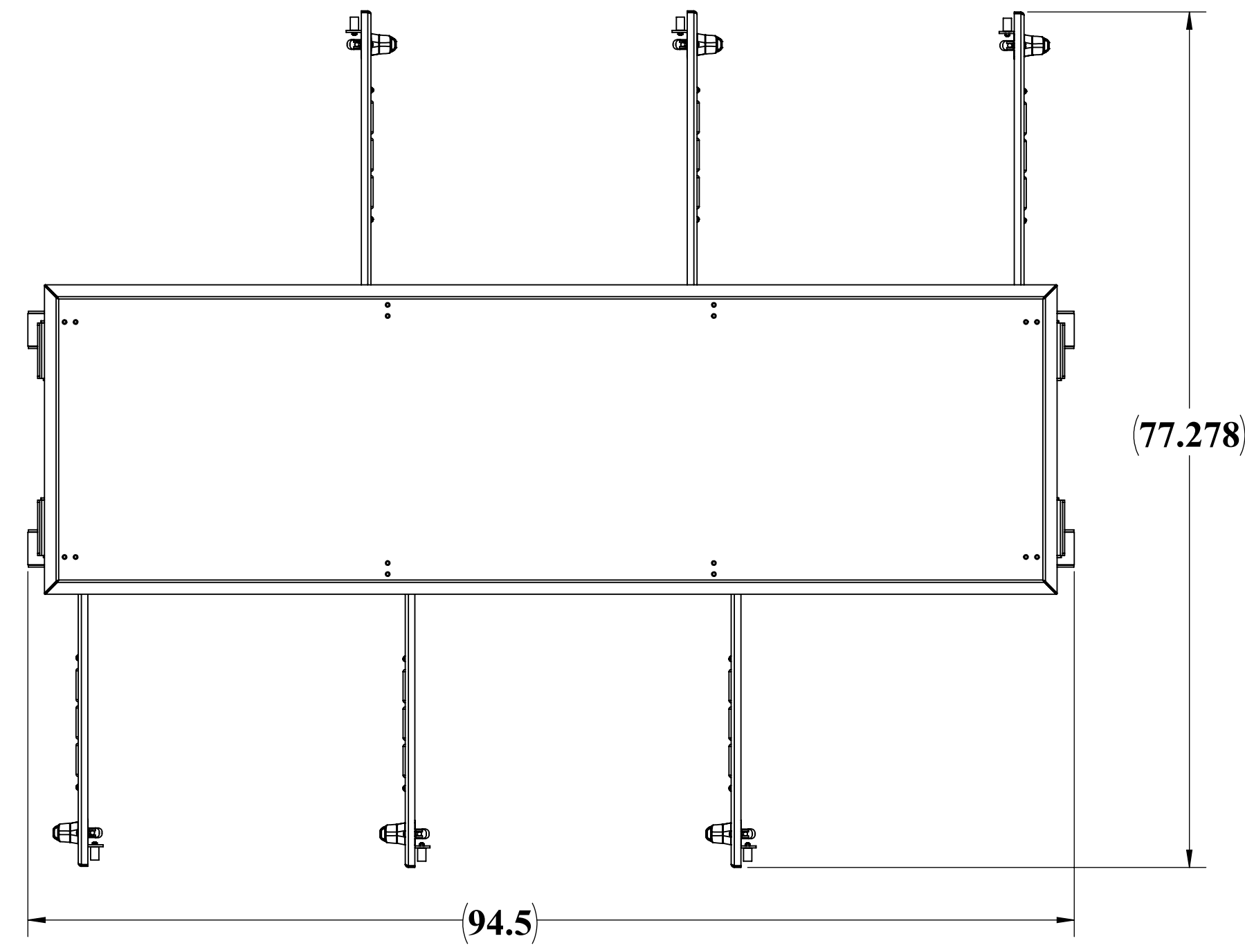
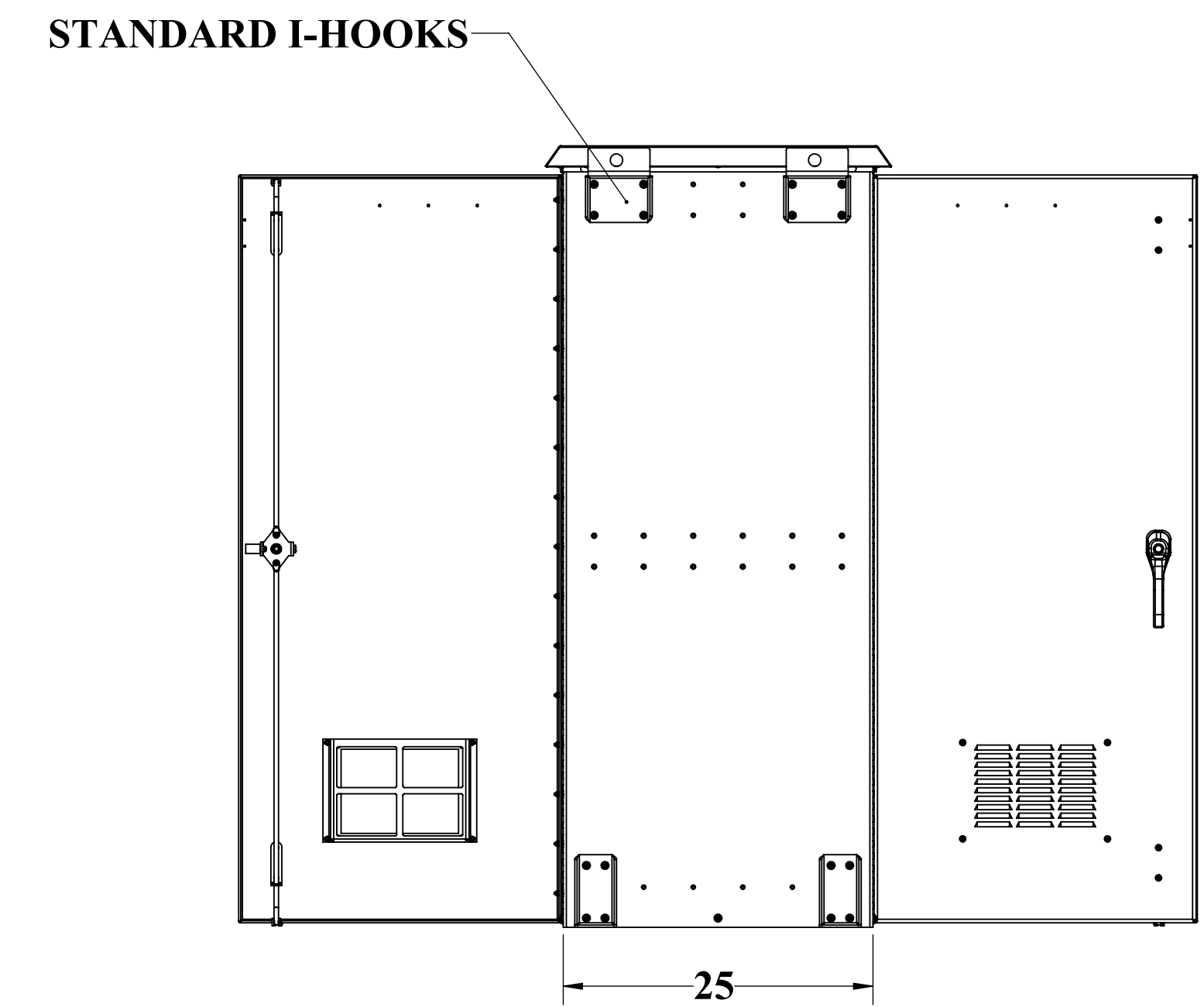
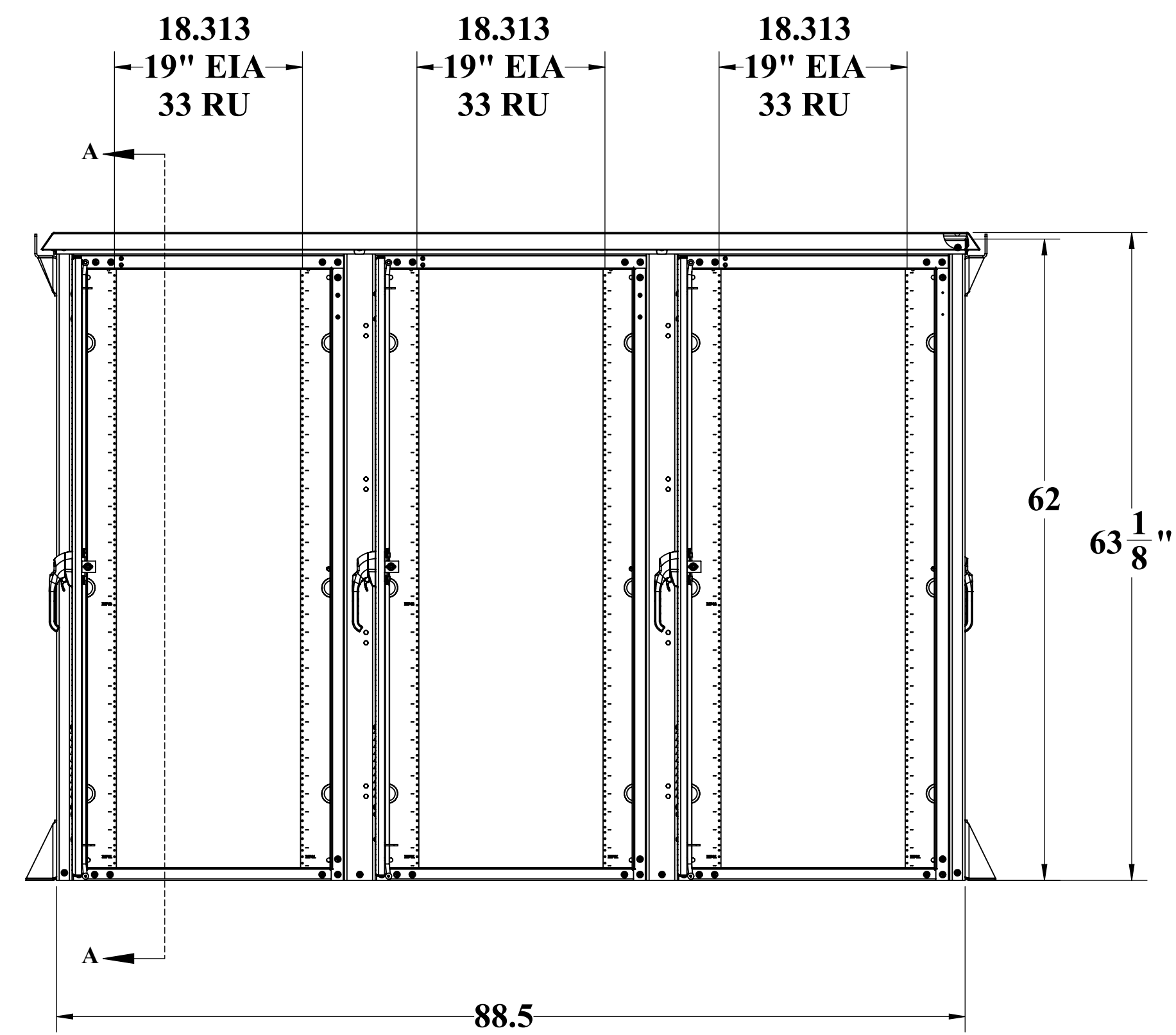


WEB DRAWING (NOT FOR FABRICATION)

REVISIONS		
REV.	DESCRIPTION	DATE
A	Initial Release per DR-	5/28/2014
B	Updated Format	12/7/2020



SECTION A-A  
SCALE 1 : 12

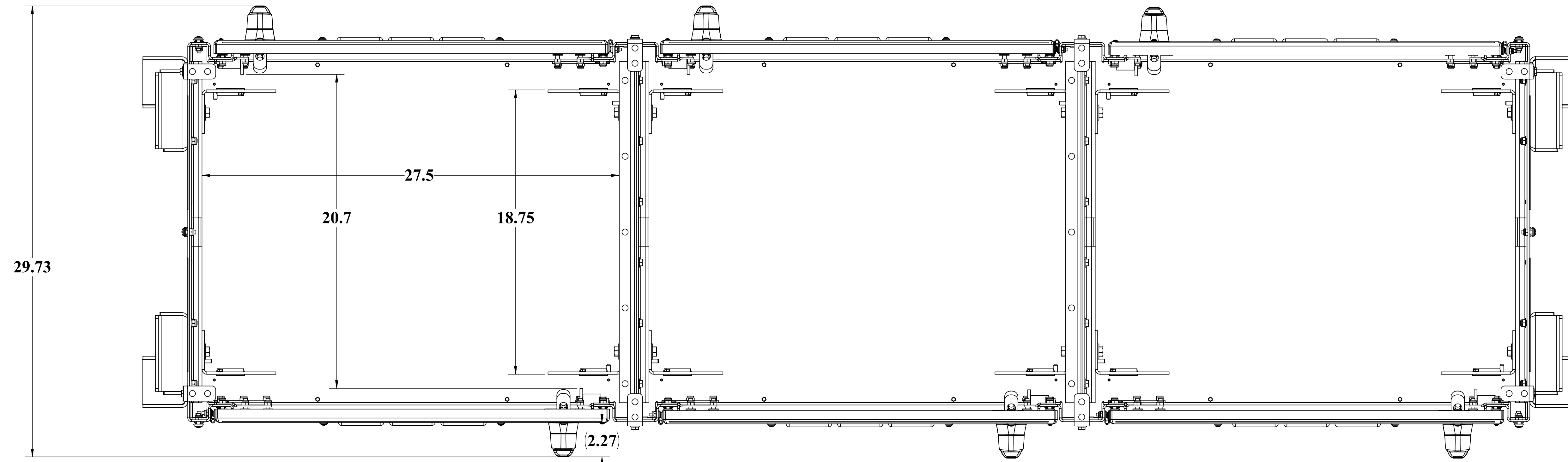


WEB DRAWING (NOT FOR FABRICATION)

UNLESS OTHERWISE SPECIFIED:		NAME	DATE	DDB Unlimited Inc.				
DIMENSIONS ARE IN INCHES		Model by:	DDB	6/4/2014	30D-XXXX			
ANGULAR:	±1°	Drawn by:	EdwardW	06/13/14	DWG, 30D, 62, DX			
FRACTIONAL/NO DECIMAL:	±0.1250	Sales.Rep.:	tray	12/08/20	SIZE	Cage Code:	DWG. NO.:	REV
ONE PLACE DECIMAL:	±0.0625	Q.A.Appr.:	ClarkK	12/09/20	D	385Y5	00982	B
TWO PLACE DECIMAL:	±0.0313	Prod.Mgr.:	ClarkK	12/09/20	SCALE: 1:8	WEIGHT: 495 lbs.	SHEET 1 OF 3	
THREE PLACE DECIMAL:	±0.0156	Control Number:						
ALL HOLES ±0.0010								
MATERIAL: 5032-H32N0.125-ASTM B209-04								
PAINTE: Hammer Vapour Blue Green Textures ET-8209								
DO NOT SCALE DRAWING								

DDB FORM: 7-1-2 REV.F 05/02/19

WEB DRAWING (NOT FOR FABRICATION)



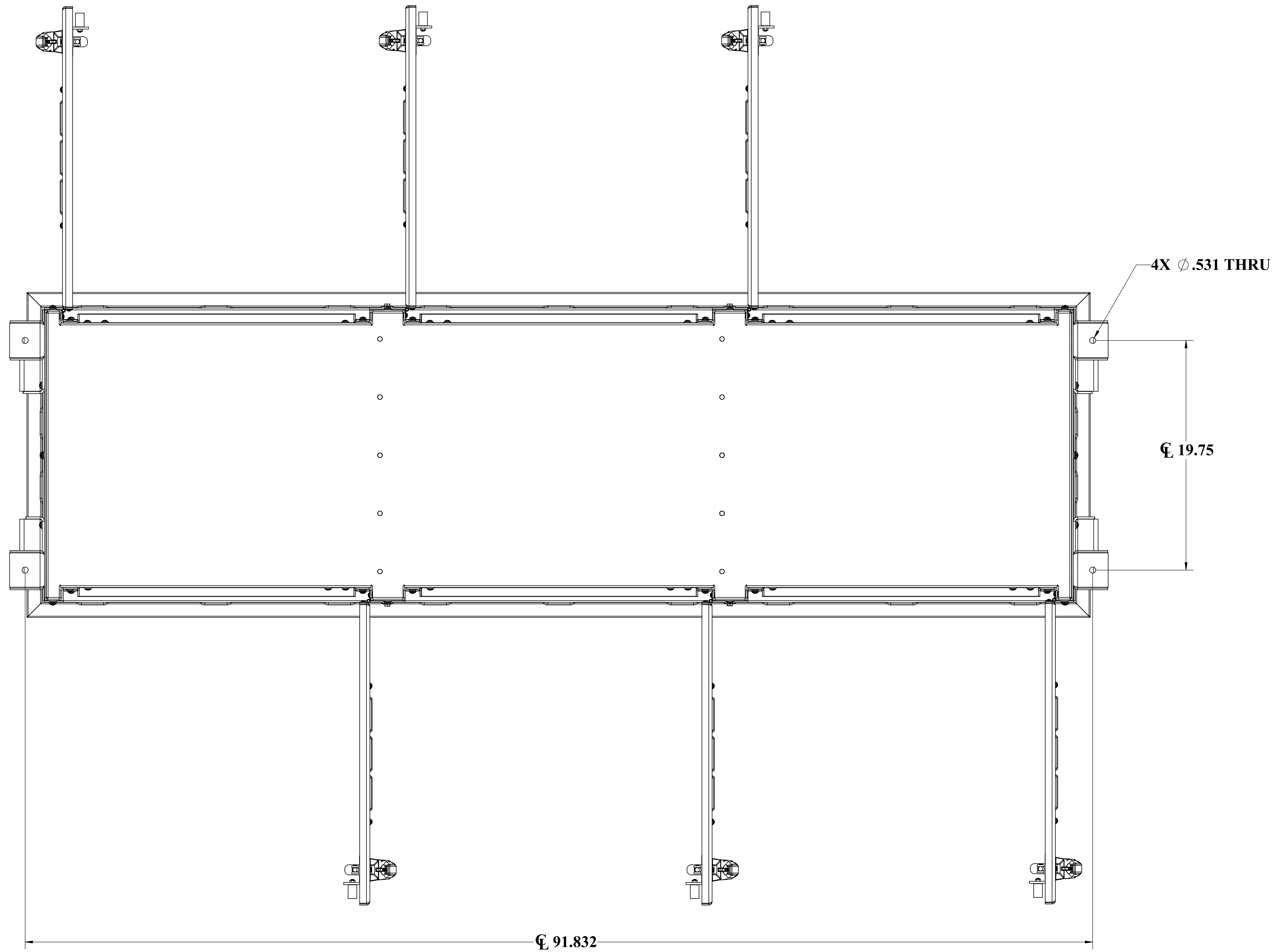
TOP VIEW SOLAR SHIELD AND CEILING NOT SHOWN

WEB DRAWING (NOT FOR FABRICATION)

UNLESS OTHERWISE SPECIFIED:			
DIMENSIONS ARE IN INCHES			
ANGULAR:	1°		
FRACTIONAL NO. DECIMAL:	±0.1250		
ONE PLACE DECIMAL:	±0.0625		
TWO PLACE DECIMAL:	±0.0310		
THREE PLACE DECIMAL:	±0.0150		
ALL HOLES: ±0.0030 Ø.			
MATERIAL:	5032-H32N0.125-ASTM B209-04		
PAINT:	Diamond Vogel Beige Gloss Texture ET-8320		
DO NOT SCALE DRAWING			
DDB Unlimited Inc.		DX Closed	
DWG. 30D, DOORS CLOSED			
SIZE	Cage Code:	DWG. NO.:	REV
D	385Y5	00982	B
SCALE: 1:8		WEIGHT: 563 lbs.	SHEET 2 OF 3

UNCLASSIFIED PUBLIC  
THE INFORMATION CONTAINED IN THIS DRAWING IS THE SOLE PROPERTY OF DDB Unlimited, INC. ANY REPRODUCTION IN PART OR AS A WHOLE WITHOUT THE WRITTEN PERMISSION OF DDB Unlimited, INC. IS PROHIBITED.

WEB DRAWING (NOT FOR FABRICATION)



MOUNTING HOLES

WEB DRAWING (NOT FOR FABRICATION)

UNLESS OTHERWISE SPECIFIED:		<b>DDB Unlimited Inc.</b>	
DIMENSIONS ARE IN INCHES		30D-62DX	
ANCHOR: 1"		DWG. NO.: 00982	
FRACTIONAL NO DECIMAL: ±0.125		SIZE	REV
ONE PLACE DECIMAL: ±0.0625		Cage Code:	B
TWO PLACE DECIMAL: ±0.03125		D	385Y5
THREE PLACE DECIMAL: ±0.015625		SCALE: 1:8	WEIGHT: 495 lbs.
ALL HOLES: ±0.001 Ø.		SHEET 3 OF 3	
MATERIAL: 5032-H32N0.125-ASTM B209-04		DO NOT SCALE DRAWING	
PAINT: Diamond Vogel Beige Gloss Texture ET-8320			

UNCLASSIFIED PUBLIC

THE INFORMATION CONTAINED IN THIS DRAWING IS THE SOLE PROPERTY OF DDB Unlimited, INC. ANY REPRODUCTION IN PART OR AS A WHOLE WITHOUT THE WRITTEN PERMISSION OF DDB Unlimited, INC. IS PROHIBITED.