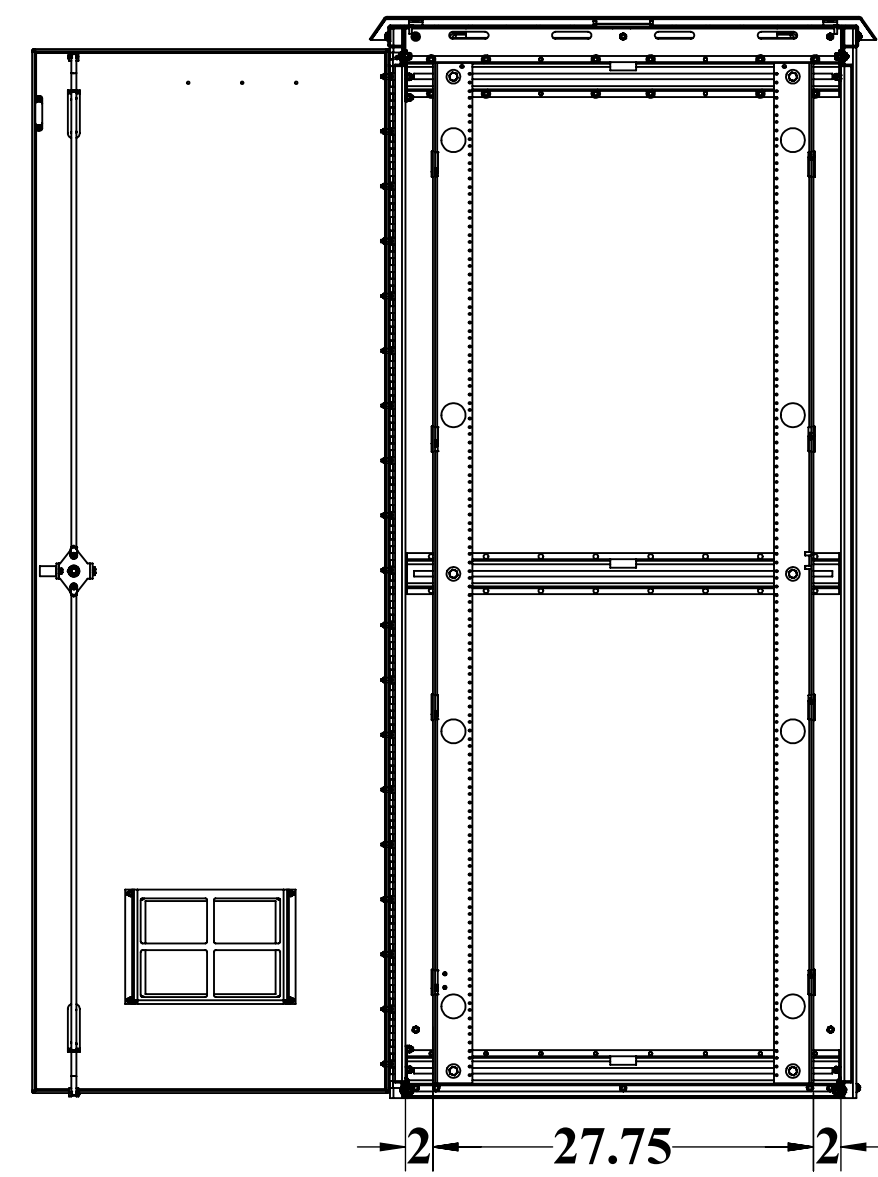
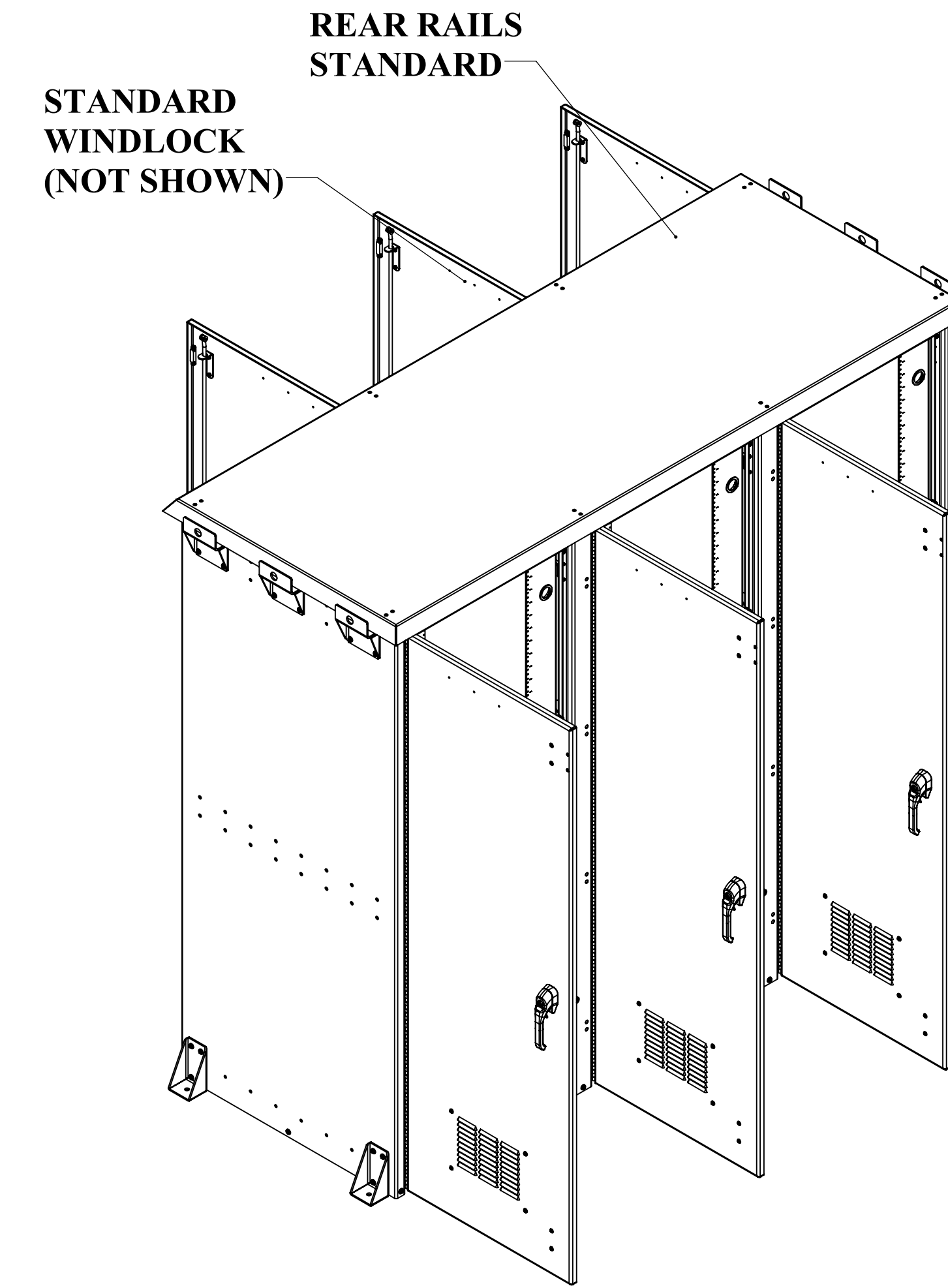
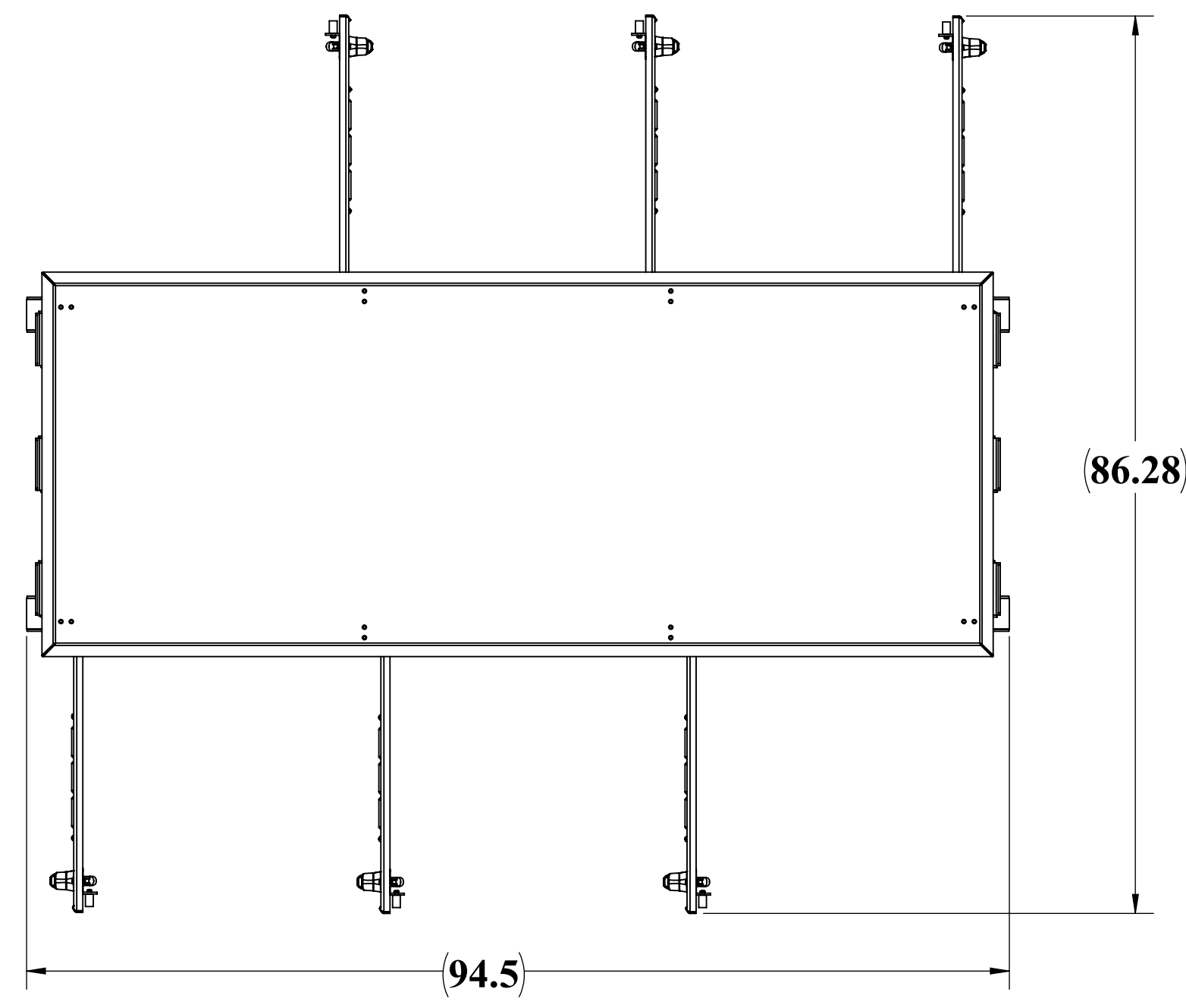
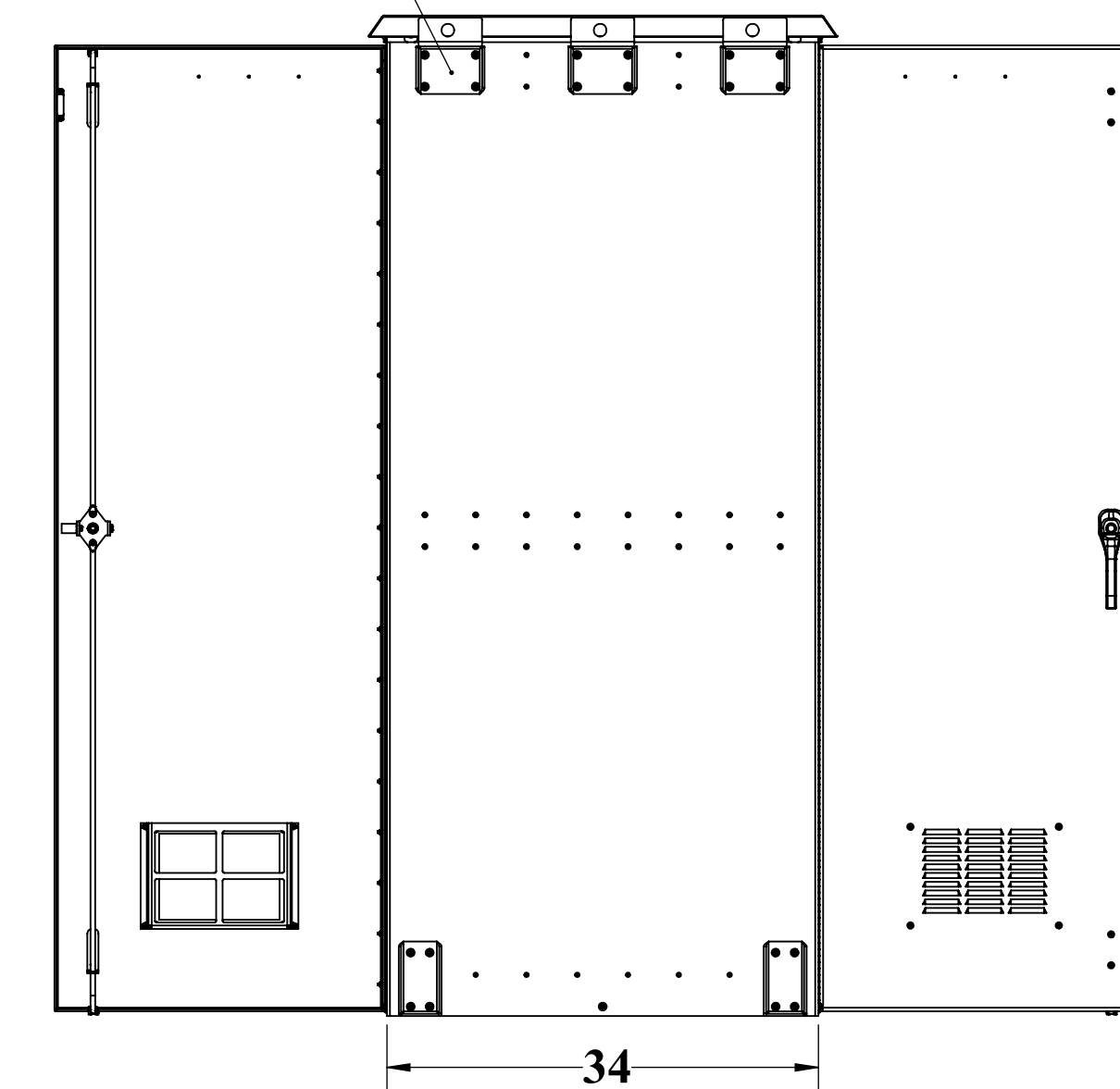
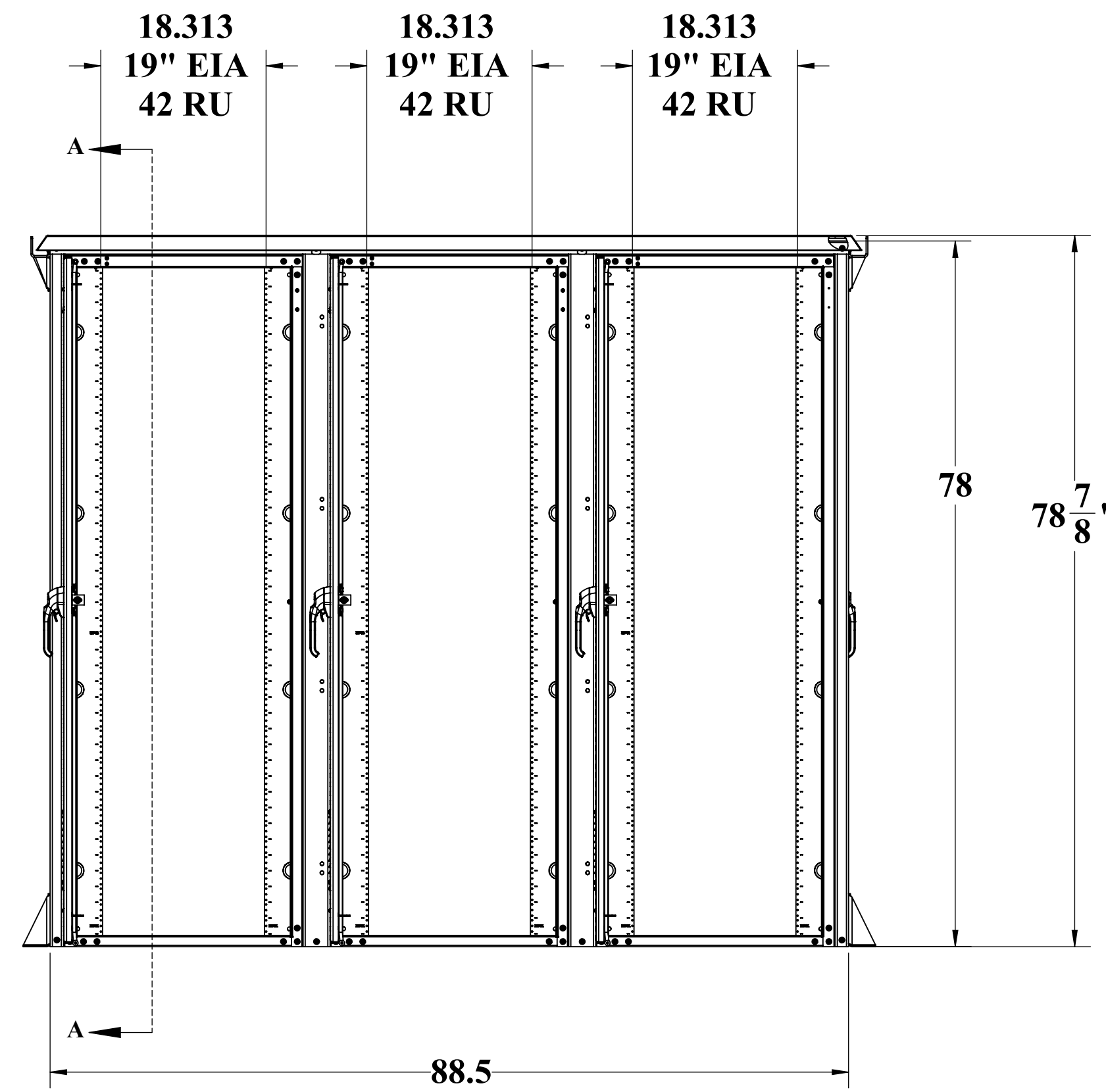


WEB DRAWING (NOT FOR FABRICATION)

REVISIONS		
REV.	DESCRIPTION	DATE
A	Initial Release per DR- 00986	5/28/2014
B	UPDATED FORMAT	12/9/2020



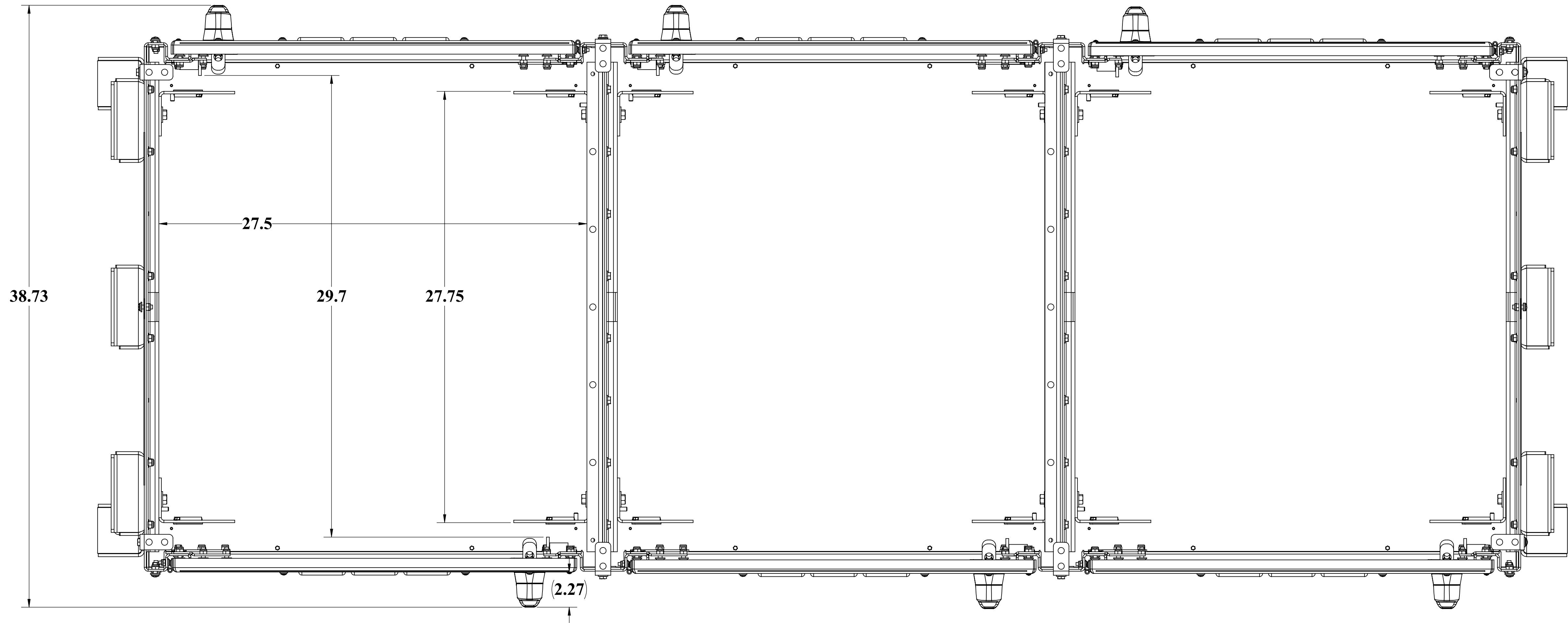
SECTION A-A  
SCALE 1 : 14



WEB DRAWING (NOT FOR FABRICATION)

UNLESS OTHERWISE SPECIFIED:		NAME	DATE	DDB Unlimited Inc.				
DIMENSIONS ARE IN INCHES		Model by:	DDB	6/4/2014	30D-XXXX			
ANGULAR:	±1°	Drawn by:	EdwardW	06/13/14	DWG, 30D, 78, DD			
FRACTIONAL/NO DECIMAL:	±0.1250	Sales.Rep.:			SIZE	Cage Code:	DWG. NO.:	REV
ONE PLACE DECIMAL:	±0.0625	Q.A.Appr.:	tray	12/11/20	D	385Y5	00986	B
TWO PLACE DECIMAL:	±0.0313	Prod.Mgr.:	ClarkK	12/11/20	SCALE: 1:8	WEIGHT: 640 lbs.	SHEET 1 OF 3	
THREE PLACE DECIMAL:	±0.0156	Control Number:						
ALL HOLES ±0.0004								
MATERIAL: 5032-H32M.125-ASTM B209-04								
PAINTE: Diamond Vogel Ridge Clear Texture ET-8339								
DO NOT SCALE DRAWING								

WEB DRAWING (NOT FOR FABRICATION)



TOP VIEW SOLAR SHIELD AND CEILING NOT SHOWN

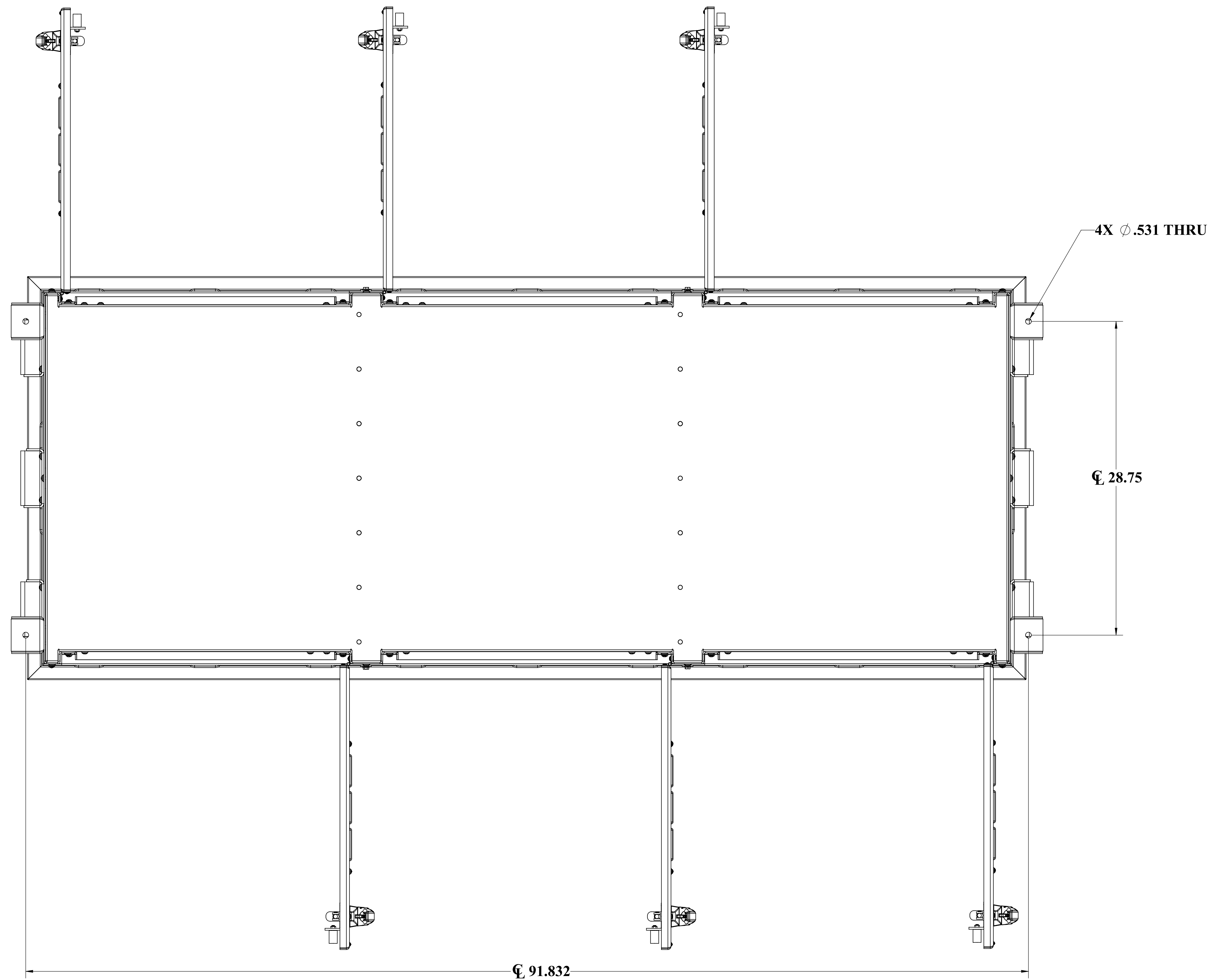
WEB DRAWING (NOT FOR FABRICATION)

UNLESS OTHERWISE SPECIFIED:			
DIMENSIONS ARE IN INCHES			
ANGULAR:	±1°		
FRACTIONAL NO DECIMAL:	±0.125		
ONE PLACE DECIMAL:	±0.0625		
TWO PLACE DECIMAL:	±0.03125		
THREE PLACE DECIMAL:	±0.015625		
ALL HOLES: ±0.0031			
MATERIAL: 5032-H32N0.125-ASTM B209-04			
PAINT: Diamond Vogel Beige Gloss Texture ET-8320			
DO NOT SCALE DRAWING			
DDB Unlimited Inc.		DD Closed	
DWG. 30D, DOORS CLOSED			
SIZE	Cage Code:	DWG. NO.:	REV
D	385Y5	00986	B
SCALE: 1:8		WEIGHT: 624 lbs.	SHEET 2 OF 3

UNCLASSIFIED PUBLIC  
 THE INFORMATION CONTAINED IN THIS DRAWING IS THE SOLE PROPERTY OF DDB Unlimited, INC. ANY REPRODUCTION IN PART OR AS A WHOLE WITHOUT THE WRITTEN PERMISSION OF DDB Unlimited, INC. IS PROHIBITED.

DDB FORM: 7.1-2-REV:K 08/02/17

WEB DRAWING (NOT FOR FABRICATION)



WEB DRAWING (NOT FOR FABRICATION)

UNLESS OTHERWISE SPECIFIED:			
DDB Unlimited Inc.			
30D-78DD			
DWG, 30D, 78, DD			
SIZE	Cage Code:	DWG. NO.:	REV
D	385Y5	00986	B
MATERIAL: 5032-H32N0.125-ASTM B209-04		SCALE: 1:8	
PAINT: Diamond Vogel Beige Gloss Texture ET-8320		WEIGHT: 640 lbs.	
DO NOT SCALE DRAWING			
			SHEET 3 OF 3

UNCLASSIFIED PUBLIC

THE INFORMATION CONTAINED IN THIS DRAWING IS THE SOLE PROPERTY OF DDB Unlimited, INC. ANY REPRODUCTION IN PART OR AS A WHOLE WITHOUT THE WRITTEN PERMISSION OF DDB Unlimited, INC. IS PROHIBITED.