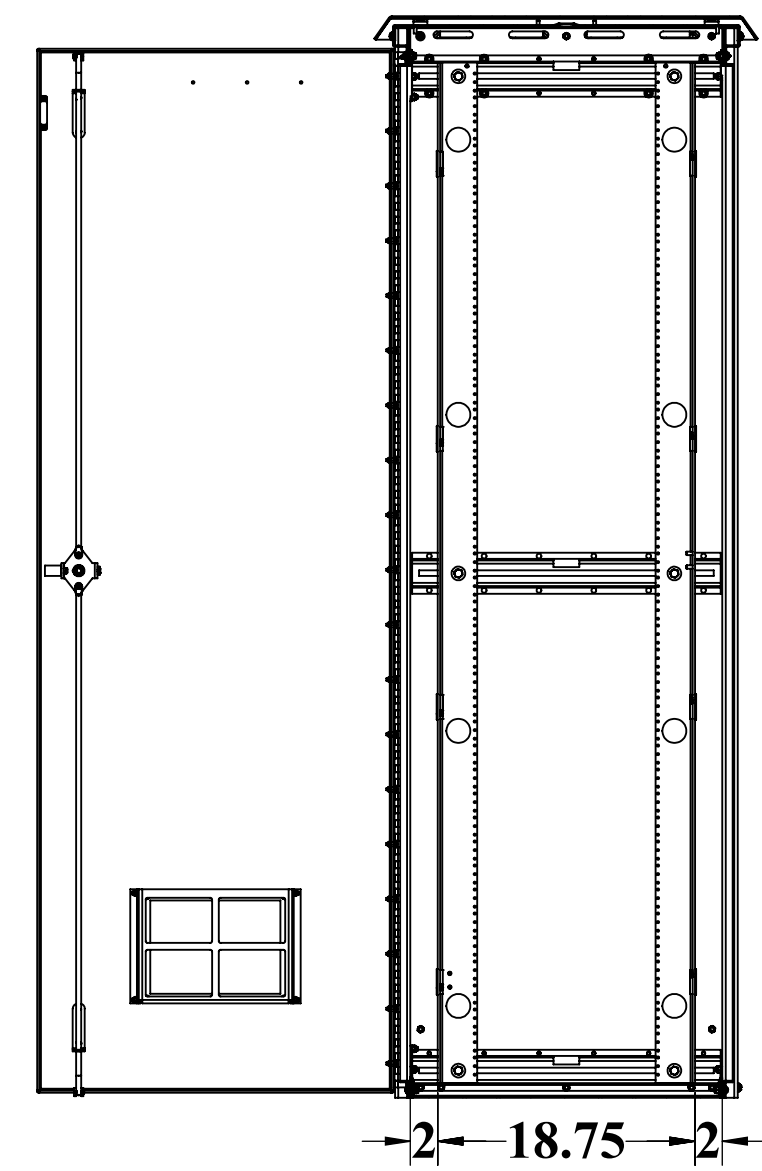
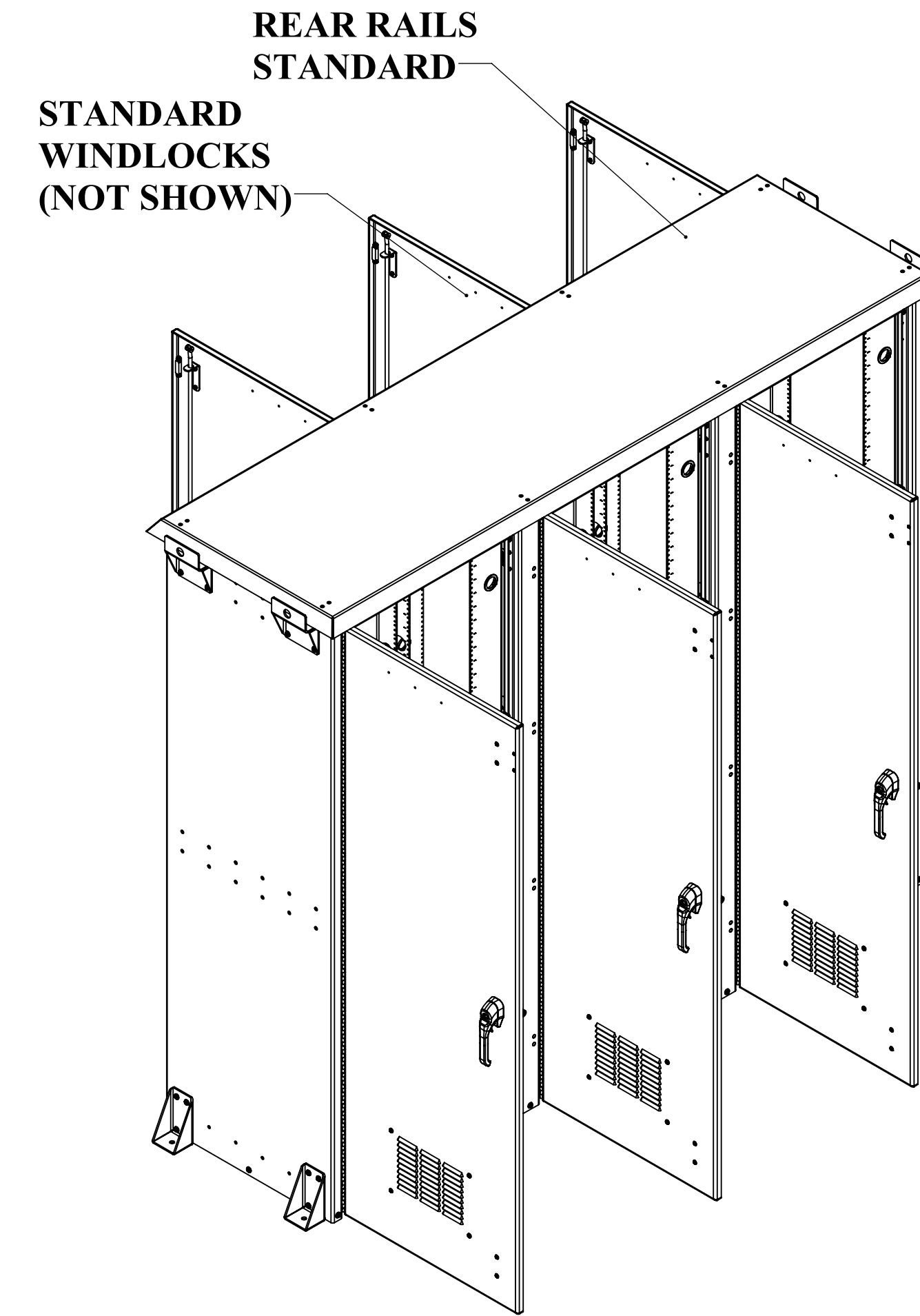
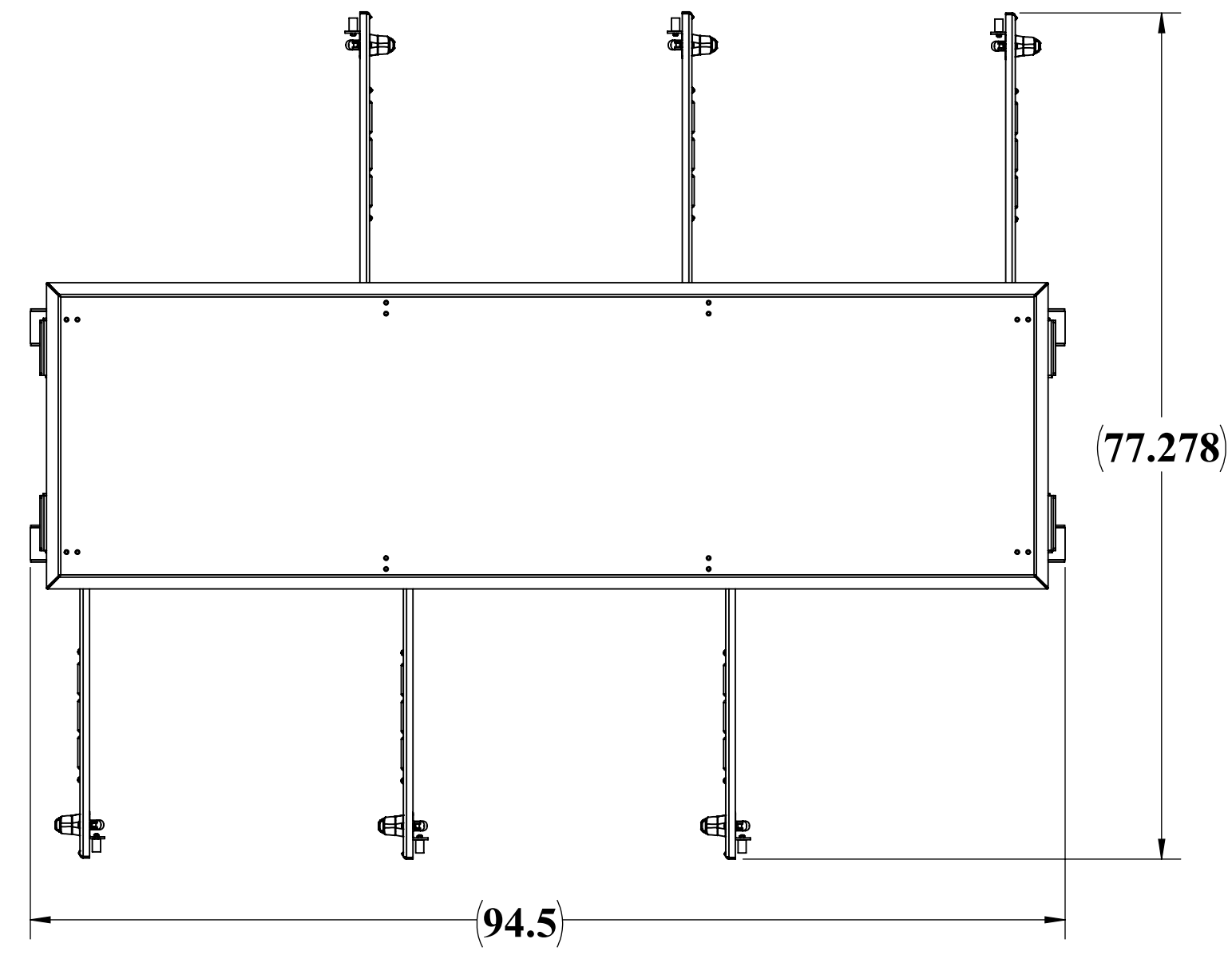
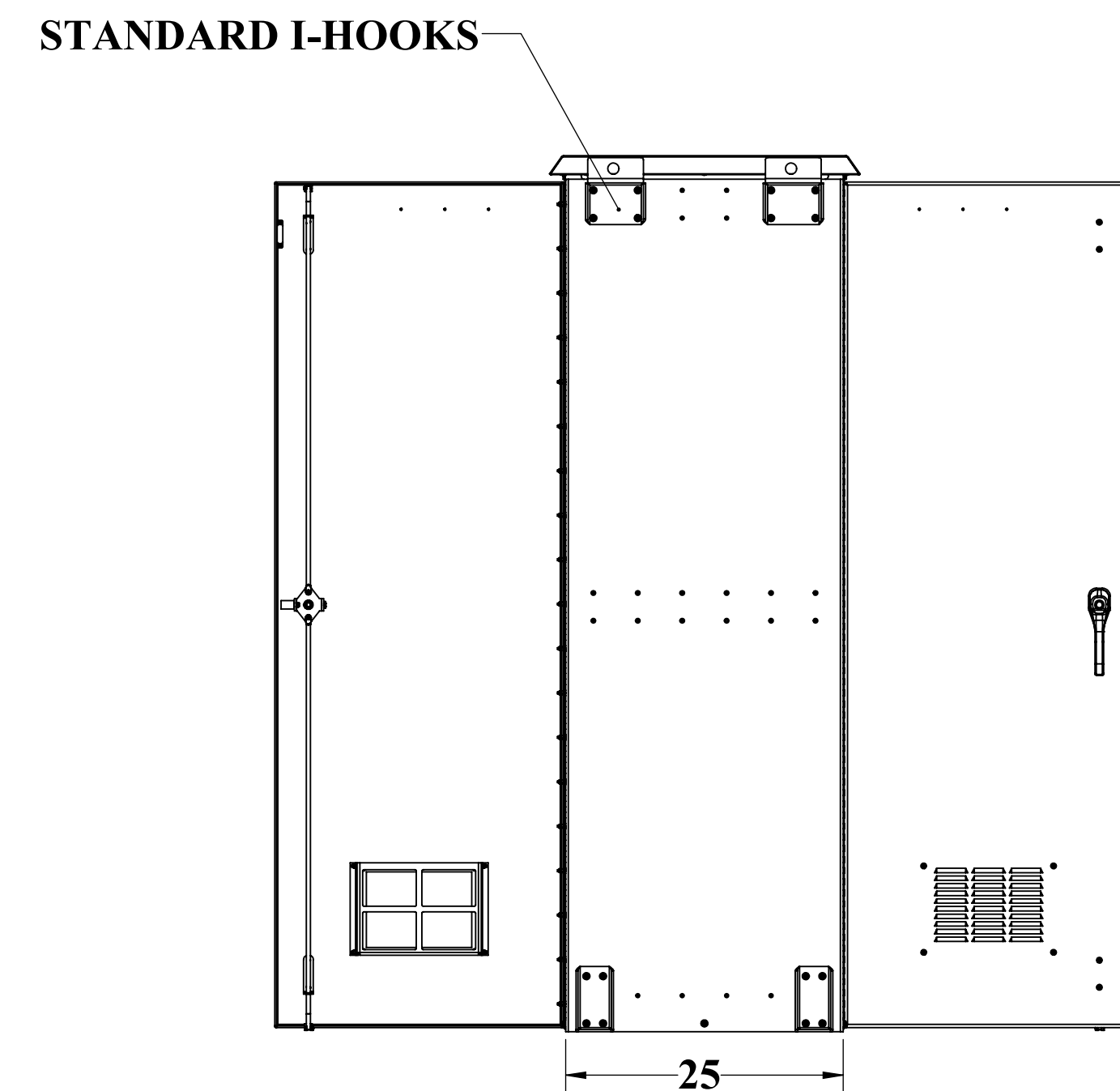
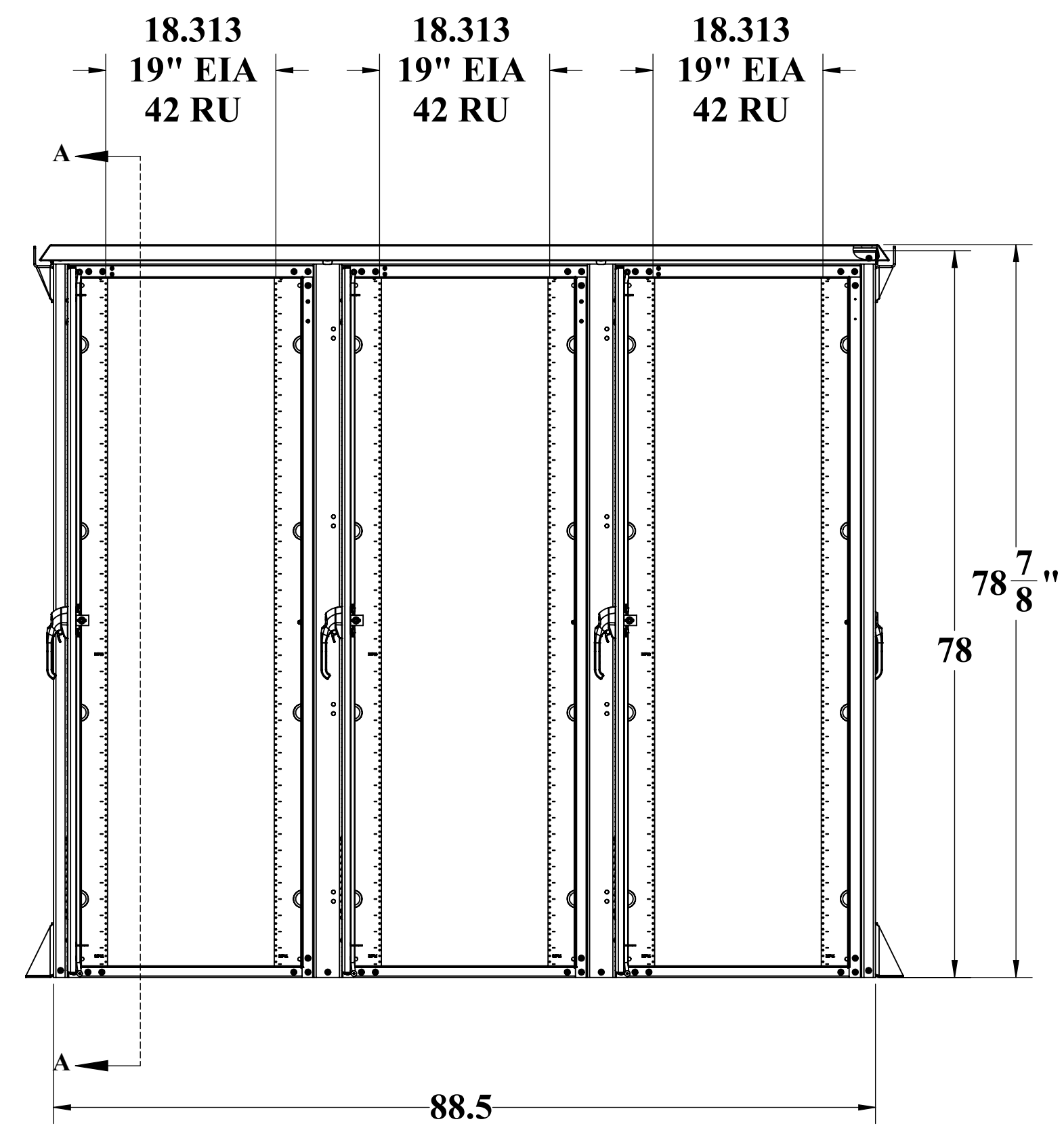


WEB DRAWING (NOT FOR FABRICATION)

REVISIONS		
REV.	DESCRIPTION	DATE
A	Initial Release per DR-	5/28/2014
B	UPDATED FORMAT	12/9/2020



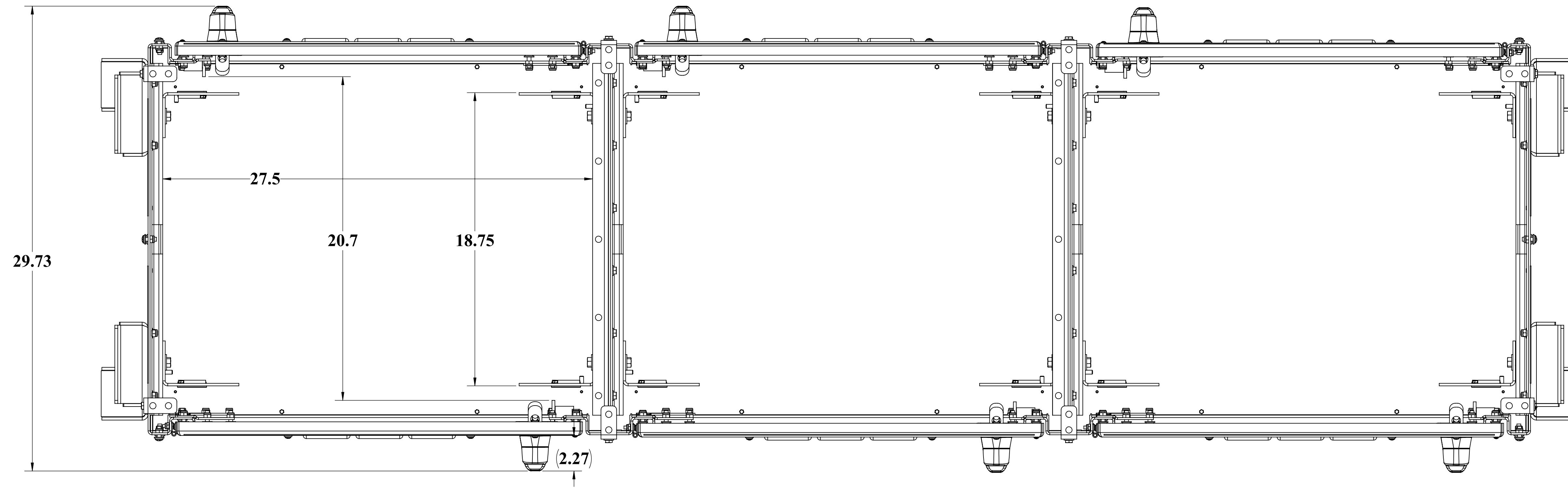
SECTION A-A
SCALE 1 : 14



WEB DRAWING (NOT FOR FABRICATION)

UNLESS OTHERWISE SPECIFIED:		NAME	DATE	DDB Unlimited Inc.			
DIMENSIONS ARE IN INCHES		Model by:	DDB	30D-XXXX			
ANGULAR:	±1°	Drawn by:	EdwardW	DWG, 30D, 78, DX			
FRACTIONAL/NO DECIMAL:	±0.1250	Sales.Rep.:		SIZE	Cage Code:	DWG. NO.:	REV
ONE PLACE DECIMAL:	±0.0625	Q.A.Appr.:	tray	D	385Y5	00985	B
TWO PLACE DECIMAL:	±0.0313	Prod.Mgr.:	ClarkK	SCALE: 1:8	WEIGHT: 580 lbs.	SHEET 1 OF 3	
THREE PLACE DECIMAL:	±0.0156			Control Number:			
ALL HOLES ±0.0010				DO NOT SCALE DRAWING			
MATERIAL: 5032-H32N0.125-ASTM B209-04							
MATERIAL: 5032-H32N0.125-ASTM B209-04							
PAINT: Diamond Vogel Ridge Clear Texture ET-8239							

WEB DRAWING (NOT FOR FABRICATION)



TOP VIEW SOLAR SHIELD AND CEILING NOT SHOWN

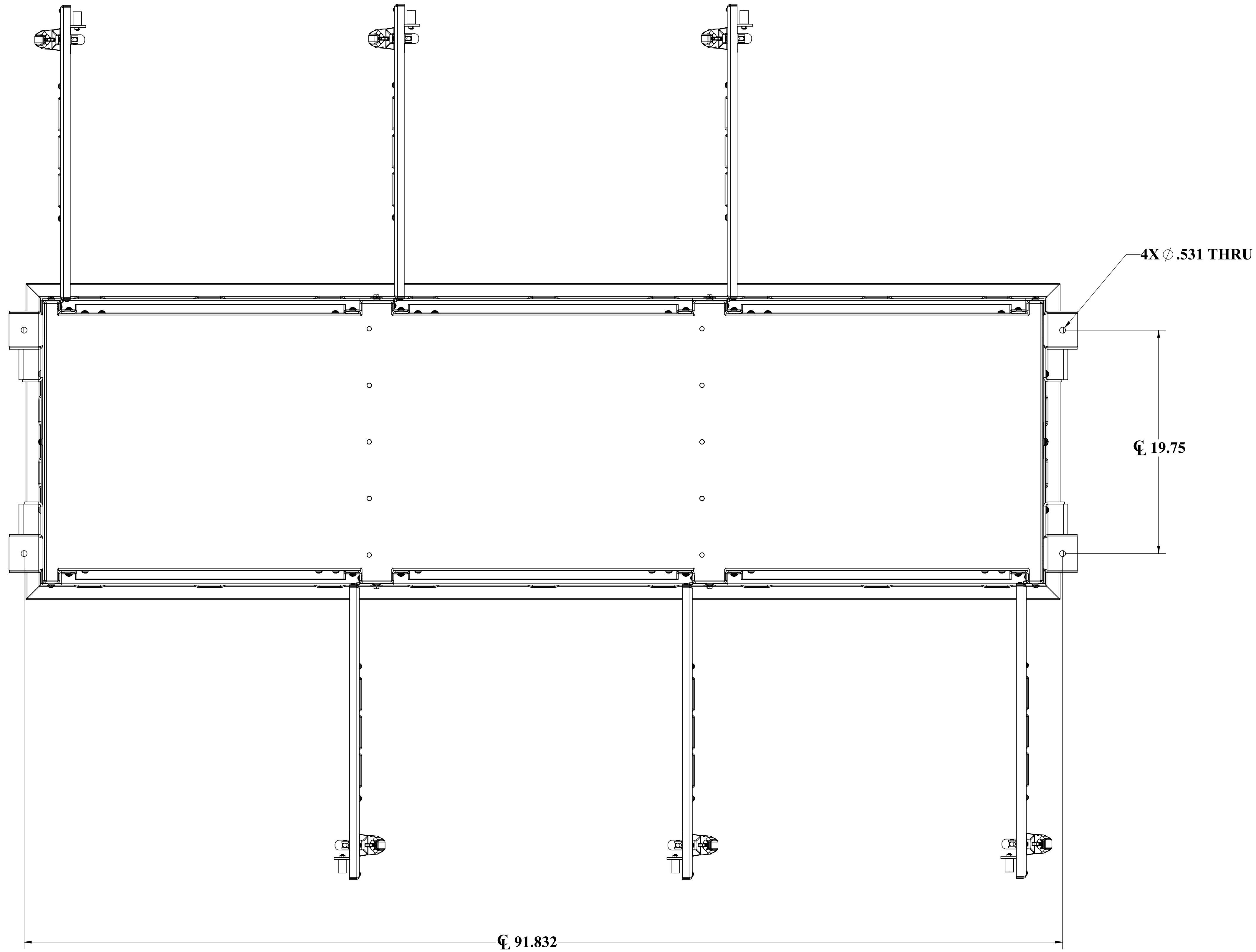
UNLESS OTHERWISE SPECIFIED:			
DIMENSIONS ARE IN INCHES			
ANGULAR	1°		
FRACTIONAL NO DECIMAL	1/32		
ONE PLACE DECIMAL	0.005		
TWO PLACE DECIMAL	0.000		
THREE PLACE DECIMAL	0.000		
ALL HOLES: ±0.0010			
MATERIAL: 5032-H32N0.125-ASTM B209-04			
PAINT: Diamond Vogel Beige Gloss Texture ET-8320			
DO NOT SCALE DRAWING			
DDB Unlimited Inc.		DX Closed	
DWG. 30D, DOORS CLOSED			
SIZE	Cage Code:	DWG. NO.:	REV
D	385Y5	00985	B
SCALE: 1:8		WEIGHT: 563 lbs.	SHEET 2 OF 3

UNCLASSIFIED PUBLIC

THE INFORMATION CONTAINED IN THIS DRAWING IS THE SOLE PROPERTY OF DDB Unlimited, INC. ANY REPRODUCTION IN PART OR AS A WHOLE WITHOUT THE WRITTEN PERMISSION OF DDB Unlimited, INC. IS PROHIBITED.

DDB FORM: 7.1-2-REV:K 08/02/17

WEB DRAWING (NOT FOR FABRICATION)



Ø 91.832

4X Ø.531 THRU

Ø 19.75

MOUNTING HOLES

WEB DRAWING (NOT FOR FABRICATION)

UNLESS OTHERWISE SPECIFIED:		DDB Unlimited Inc.	
DIMENSIONS ARE IN INCHES		30D-78DX	
ANGULAR: ±1°		DWG. NO.: 00985	
FRACTIONAL NO DECIMAL: ±0.125		SIZE	REV
ONE PLACE DECIMAL: ±0.0625		Cage Code:	B
TWO PLACE DECIMAL: ±0.03125		D	385Y5
THREE PLACE DECIMAL: ±0.015625		SCALE: 1:8	WEIGHT: 580 lbs.
ALL HOLES: ±0.0031 Ø.		SHEET 3 OF 3	
MATERIAL: 5032-H32N0.125-ASTM B209-04		DO NOT SCALE DRAWING	
PAINT: Diamond Vogel Beige Gloss Texture ET-8320			

UNCLASSIFIED PUBLIC

THE INFORMATION CONTAINED IN THIS DRAWING IS THE SOLE PROPERTY OF DDB Unlimited, INC. ANY REPRODUCTION IN PART OR AS A WHOLE WITHOUT THE WRITTEN PERMISSION OF DDB Unlimited, INC. IS PROHIBITED.