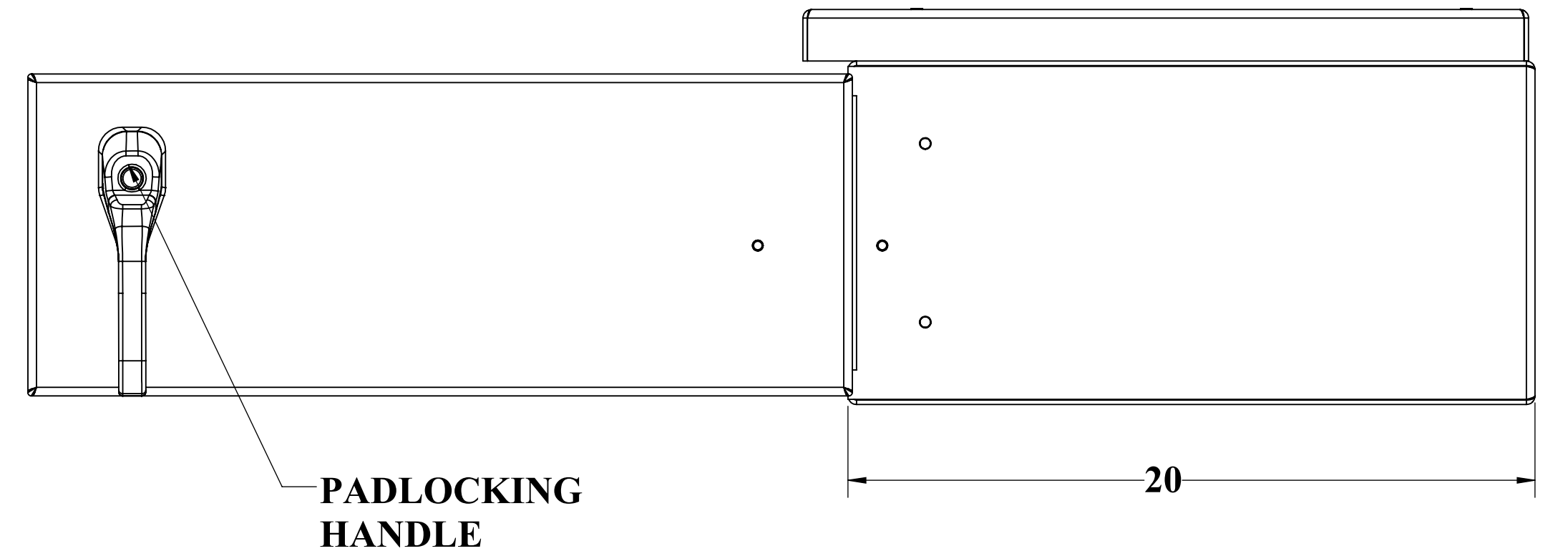
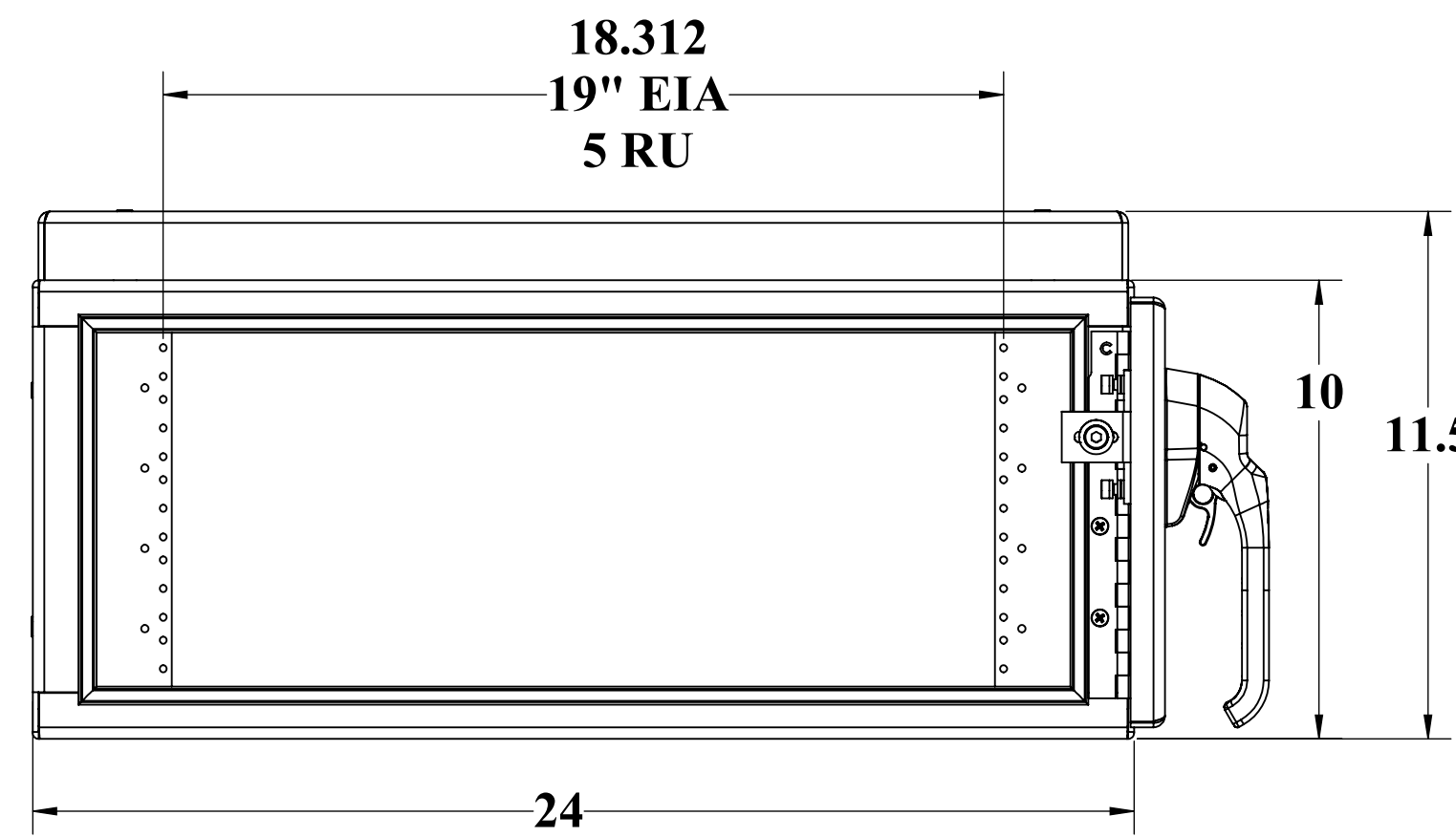
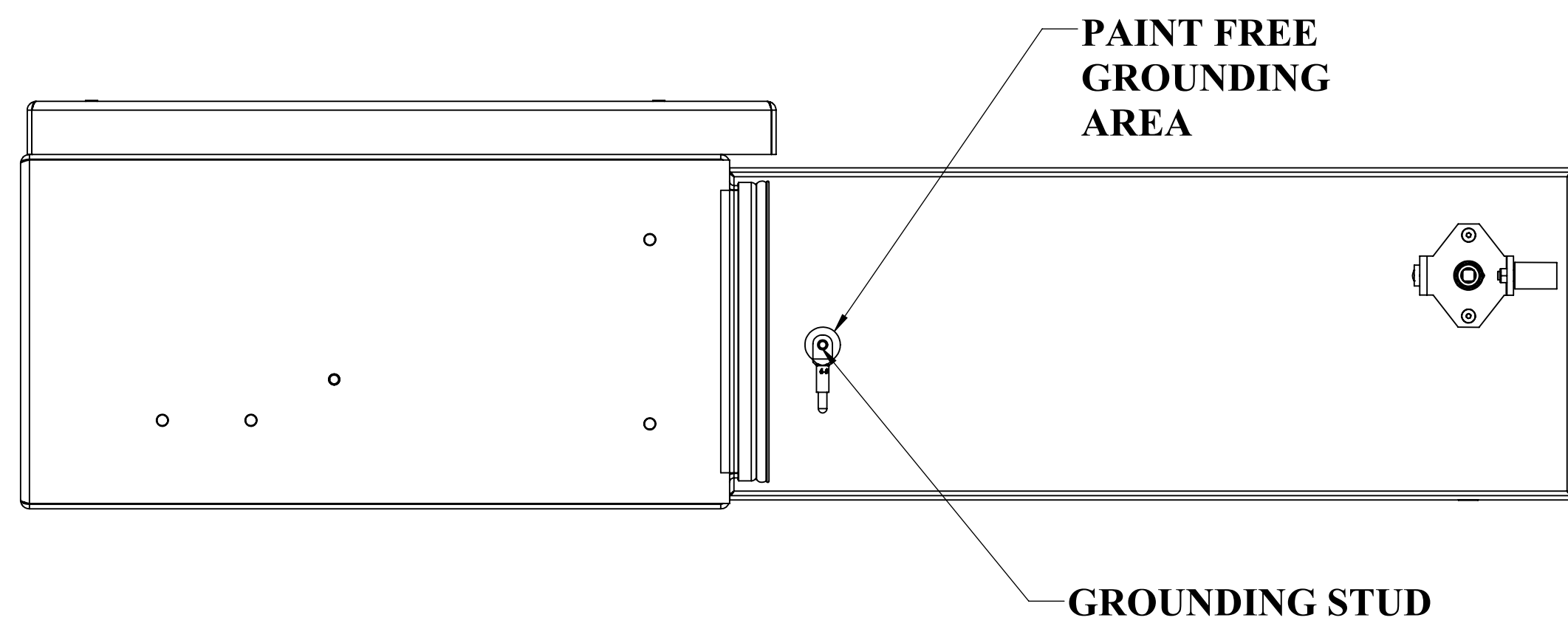
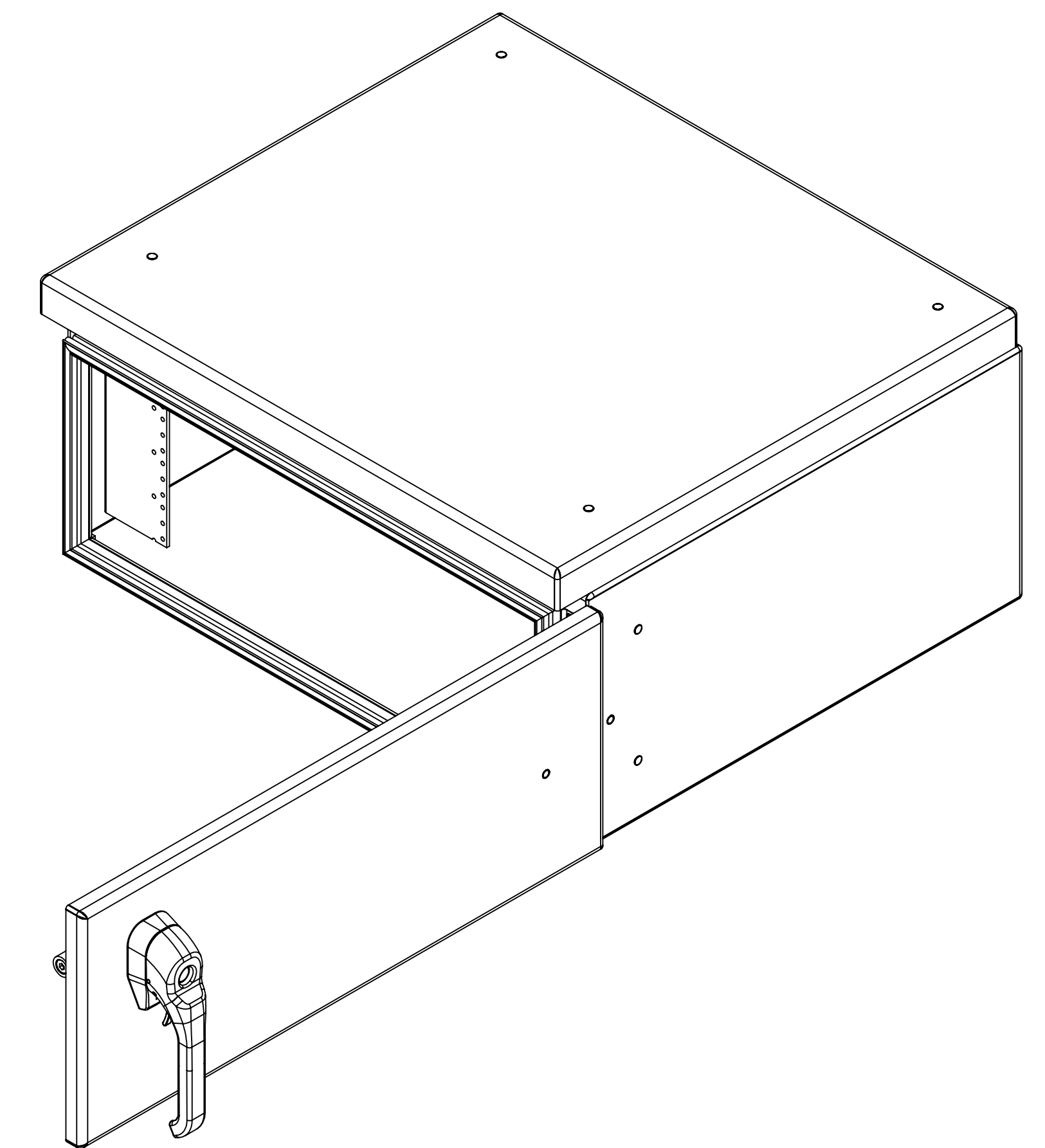
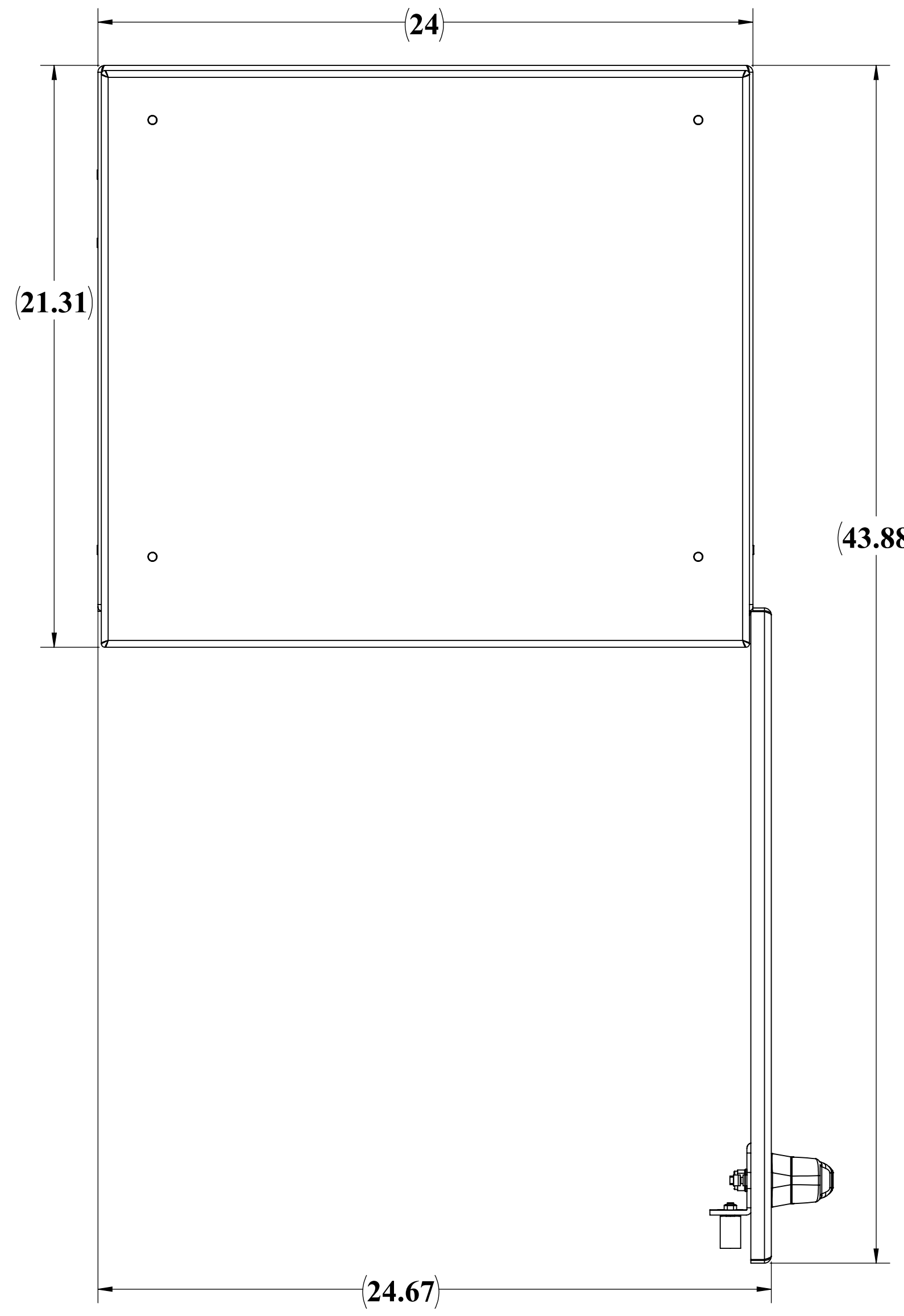


WEB DRAWING (NOT FOR FABRICATION)

REVISIONS		
REV.	DESCRIPTION	DATE
A	WEBSITE DRAWING PER DR-02036	6/5/2019

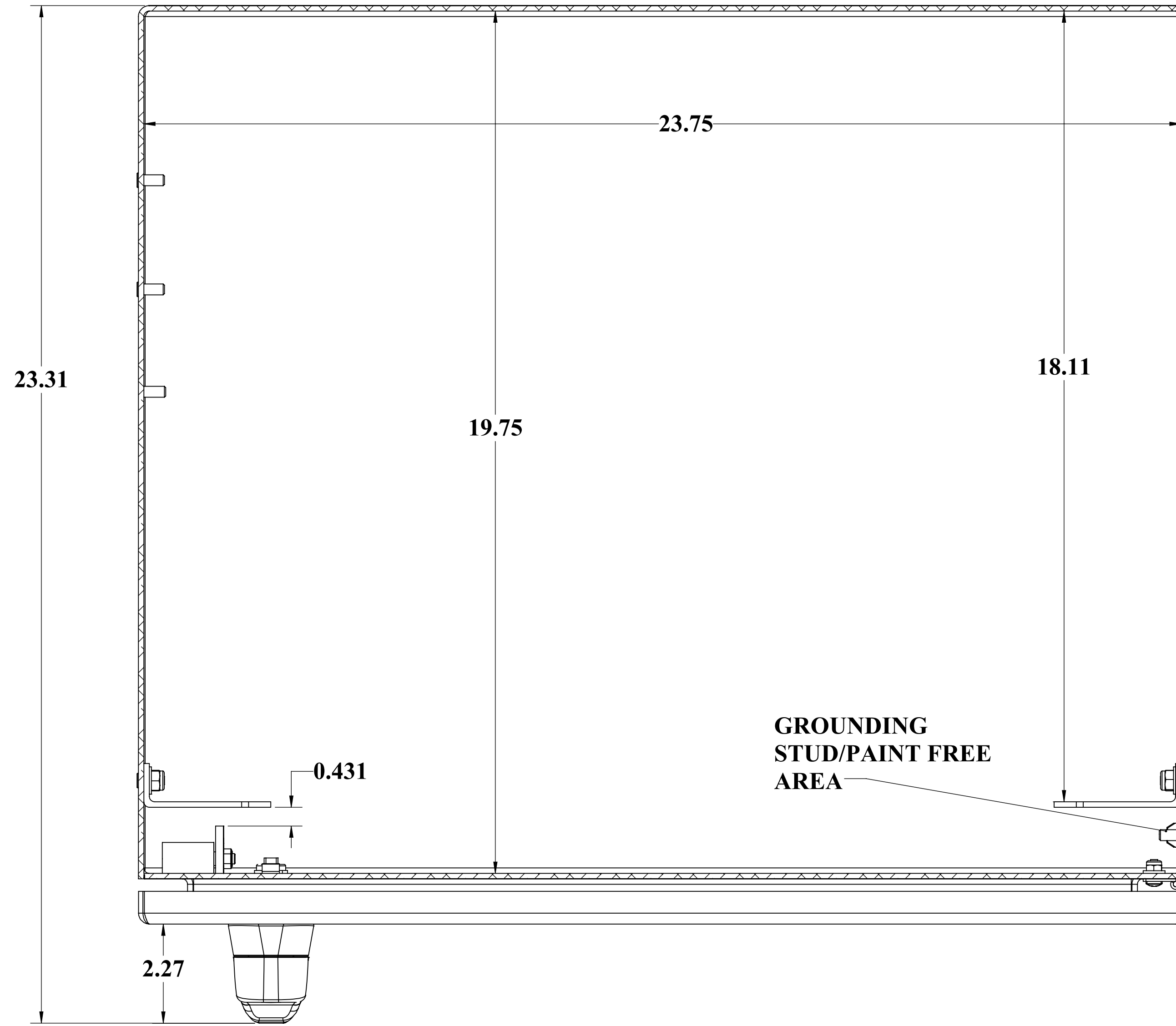


WEB DRAWING (NOT FOR FABRICATION)

UNLESS OTHERWISE SPECIFIED:		NAME	DATE	DDB Unlimited Inc.			
DIMENSIONS ARE IN INCHES				Model by:	DDB	SOD-XXXX-UL50	
ANGULAR:	±1°	Drawn by:	MarvinS	06/05/19		SOD-102420-UL50	
FRACTIONAL/NO DECIMAL:	±0.1250	Sales.Rep:	Adamietz	Q.A. Appr.:	SteveA	06/21/19	06/21/19
ONE PLACE DECIMAL:	±0.0050	Prod.Mgr.:	ClarkK	07/19/19	07/19/19	07/19/19	07/19/19
TWO PLACE DECIMAL:	±0.0020			SIZE	Cage Code:	DWG. NO.:	REV
THREE PLACE DECIMAL:	±0.0010			D	385Y5	02036	A
ALL HOLES: ±0.0010				SCALE:	1:12	WEIGHT:	32 lbs.
MATERIAL: 5052-H32-0.125" ASTM-B209-04				SHEET	1 OF 2		
PAINT: DIAMOND VOGEL-BIDGE GLOSS TEXTURE ET-4328				DO NOT SCALE DRAWING			
MATERIAL THICKNESS IS: 0.125"							

8 7 6 5 4 3 2 1

H G F E D C B A



SECTION A-A
SCALE 1 : 2

UNLESS OTHERWISE SPECIFIED:		DDB Unlimited Inc.	
DIMENSIONS ARE IN INCHES		SOD-102420-UL50-Door Closed Website Drawing	
ANCHOR:	1"	SIZE	Cage Code:
FRACTIONAL NO DECIMAL:	+0.125	D	385Y5
ONE PLACE DECIMAL:	+0.0625	DWG. NO.:	02036
TWO PLACE DECIMAL:	+0.03125	REV	A
THREE PLACE DECIMAL:	+0.015625	SCALE: 1:12	SHEET 2 OF 2
ALL HOLES: ±0.0031			
MATERIAL: 5052-H32-0.125" ASTM-B209-04		DO NOT SCALE DRAWING	
PAINT: DIAMOND VOGEL, BEIGE GLOSS TEXTURE ET-0320			

PROPRIETARY AND CONFIDENTIAL
THIS DRAWING IS THE SOLE PROPERTY OF DDB Unlimited, INC. ANY
REPRODUCTION IN PART OR AS A WHOLE WITHOUT THE WRITTEN PERMISSION OF DDB Unlimited, INC. IS PROHIBITED.

DDB FORM: 7.1-2-REV:K 08/02/17