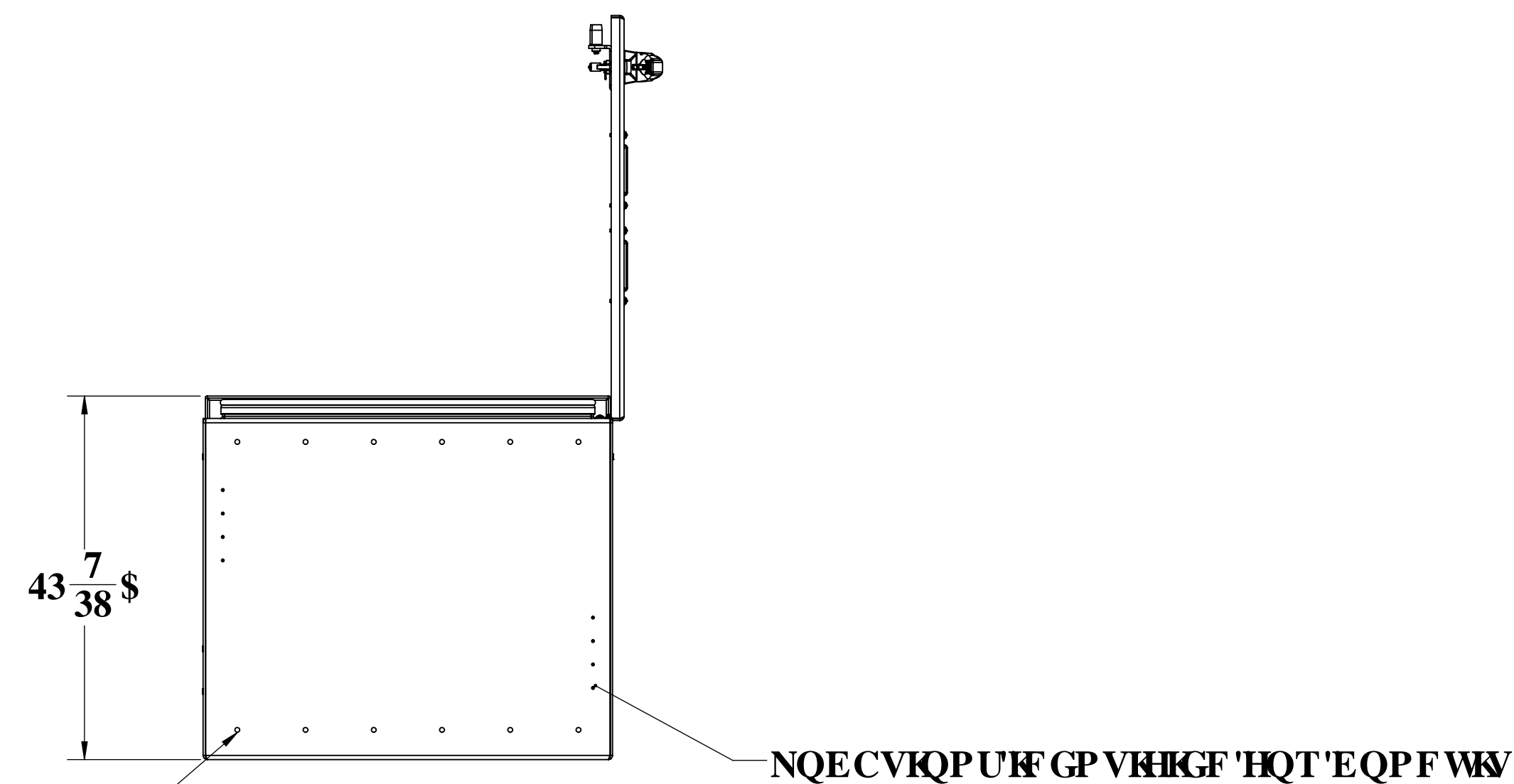
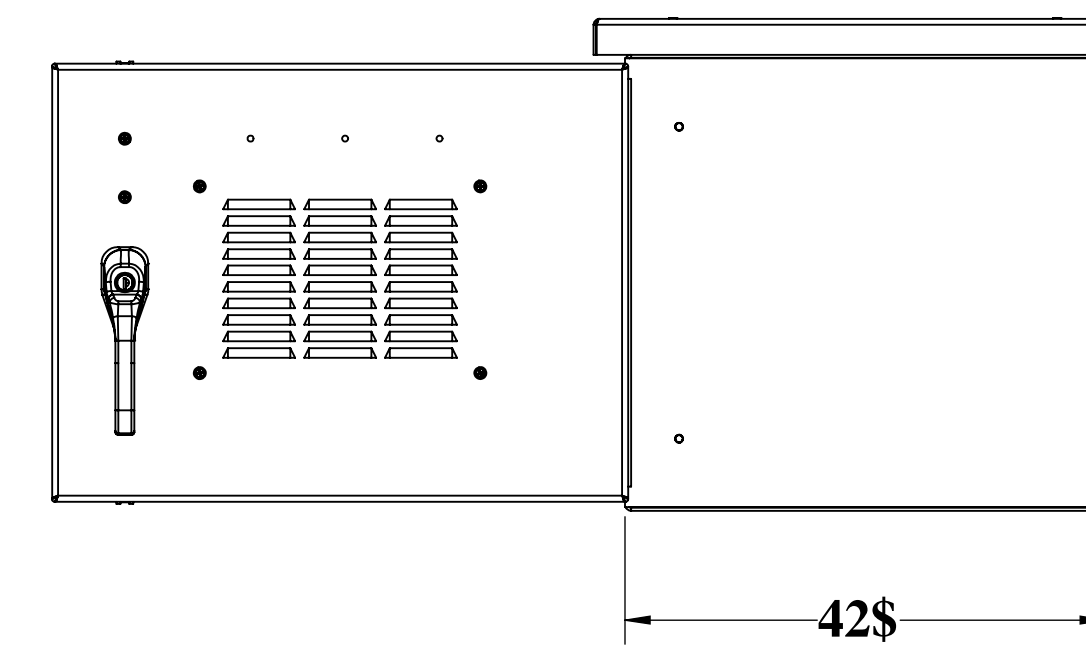
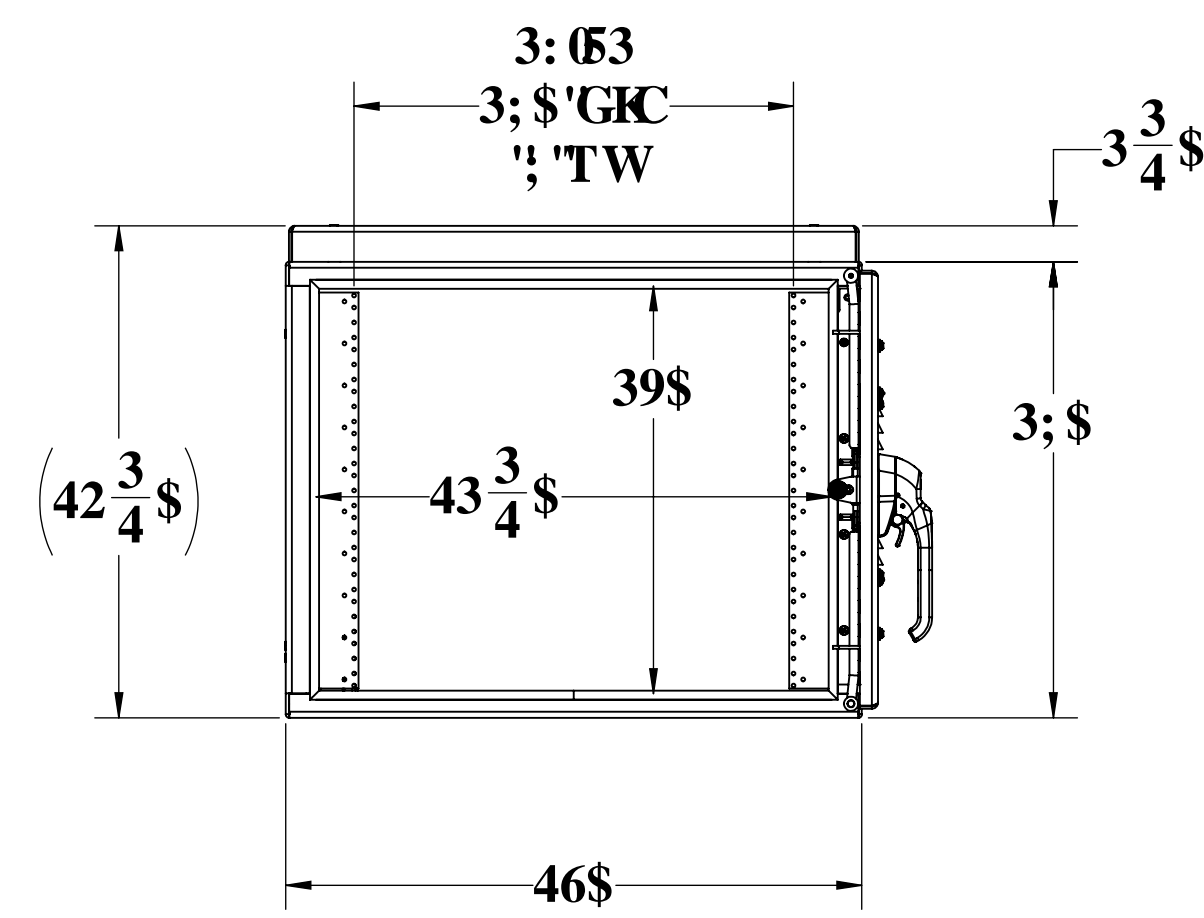
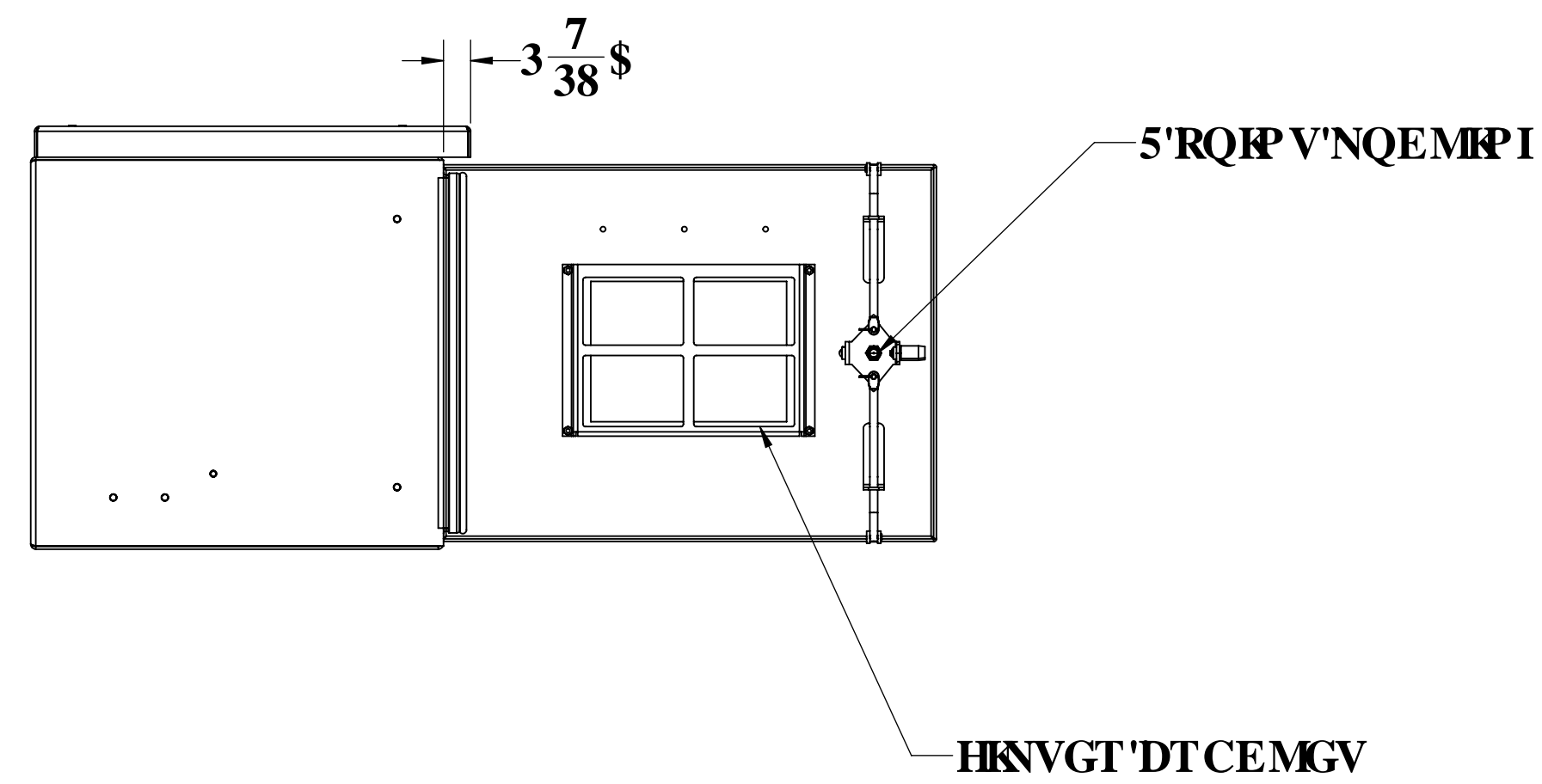
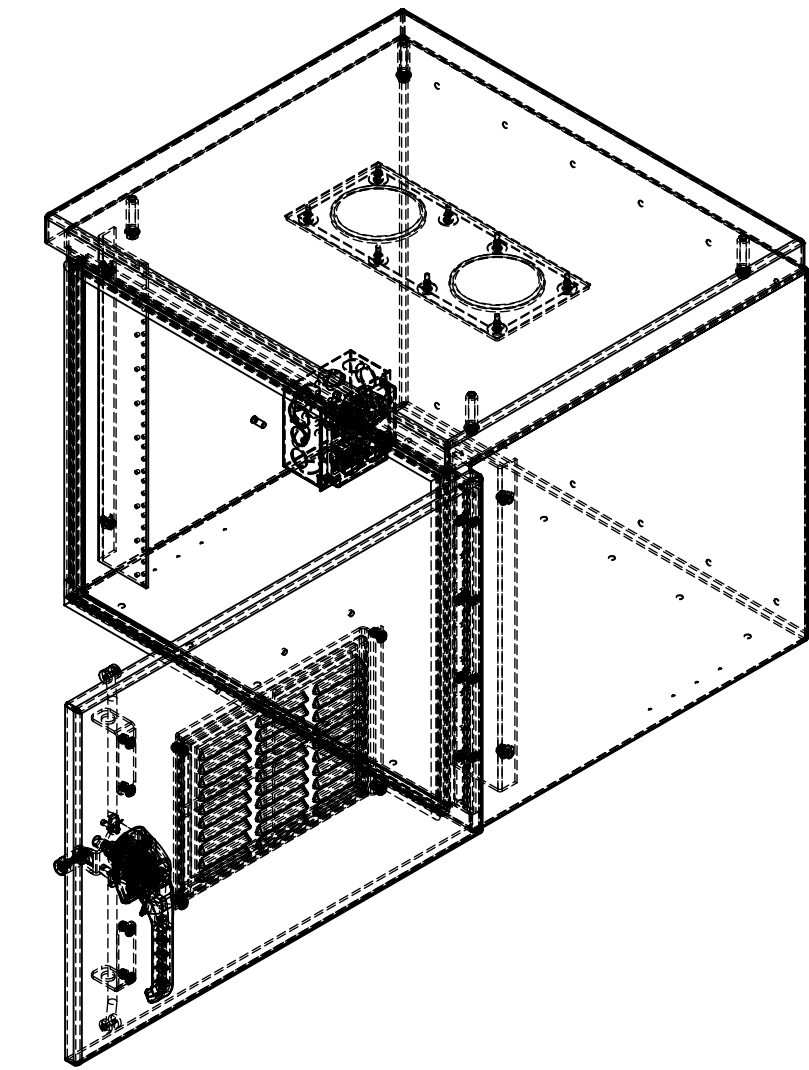
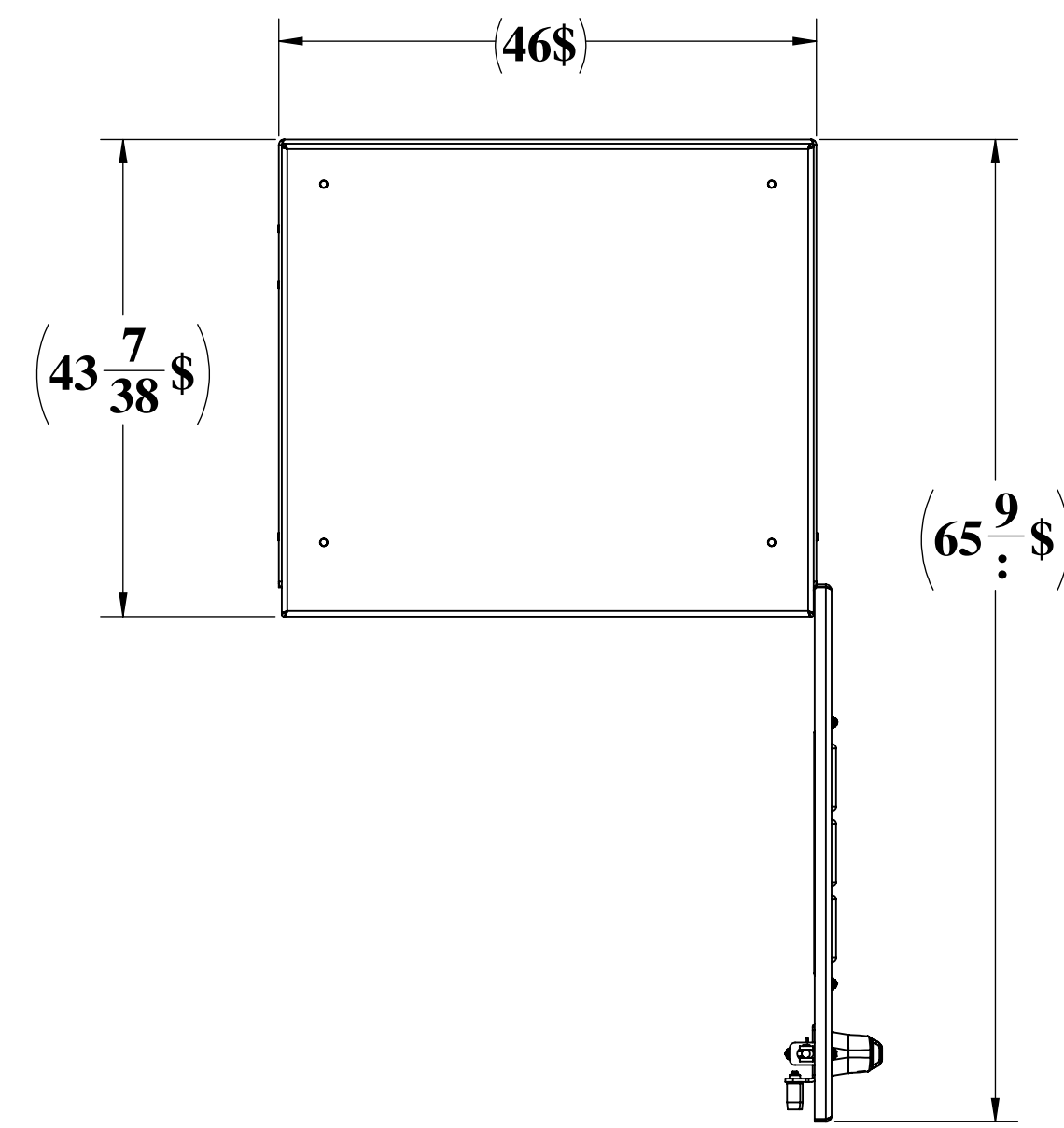


Y GD'FTCY RPI 'PQV'HQT'HCDT'ECVQIP+

TGXHQPU		
TGX0	FGUETRRVQIP	FCVG
C	Y GD'FTCY RPI 'RGT'FT'23589	6B4B8
D	WRFCVGF'RGT'FT/24842	7B9H243
N	WRFCVGF'FTCY RPI 'VO'OCVEJ 'RTQFWEVQIP" FTCY RPI	7B9H244



GVEJ RPI 'HQT'QRVQIP CN
O QWP VPI 'HGGV0

Y GD'FTCY RPI 'PQV'HQT'HCDT'ECVQIP+

WPNQUTQJ GY HCURZHRG<		PCOG	FCVG	FFD'Wpilo lsg' 'Ipe0		
CP1 WCT	13	O qf gll<	FFD	26B4B8	UQF/3; 4642	
FCVQIP CNP OF ERSCN	20472	Ftey p'0<	fgapz	27B9H44		
QVORKE LBY ERSCN	20842	Ungof g'p'ep	Eco r dpm		GA9	7 U(Y 7 cXY. 8K ; " BC". F9J
VY ORKE LBY ERSCN	20842	SICOCertIc	4qI	27B5344		
VY TOGRKE OF ERSCN	20832	Rqf'0I10: Extrnd		27B5344	8	' ,)M \$% * + @
CN1 CN13-3M212		Egreq'p'wo dga<			G7 5@9 %	K 9# <H(, Yg G-99H9C: &
OCVGDICN: 7274J54						
RCRVC: 102900						
FQPQVUECNNGFTCY RPI						

WPENCUIHIGF'RWDNIE

F1D'HOIO 2908/4T GXH' 27DAB;

